

## FEATURES

- This switch can control three phases motor directly, No need to use magnetic switch. Easy wiring.
- This switch is waterproof and made out of ABS housing. Suitable for out-door application.
- Unique mechanical interlock design, which can help prevent short-circuit.
- Can be used with emergency switch, pilot lamp, push button switch, or key switch. The rated current for the switch is Ith=5A.

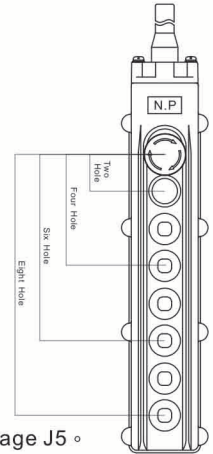
## CHARACTERISTICS

Type	SPEC	External Diameter of Cable		Terminal	Remarks
THS82C	Three 200/220VAC Phase 400/440VAC 2.2KW	Two Holes	Ø11.3~Ø13.5	M3.5	Control Motor Directly
		Four Holes	Ø13.3~Ø16.5		
		Six Holes	Ø16.3~Ø19.5		
		Eight Holes	Ø19.3~Ø22.5		

## MODEL DESCRIPTION

	One-Two Holes	Three-Four Holes	Five-Six Holes	Seven-Eight Holes	Label
THS-8	2				None
THS-8	2	2			A
THS-8	ES	2	2		A
THS-8	EP	2	2	2	E

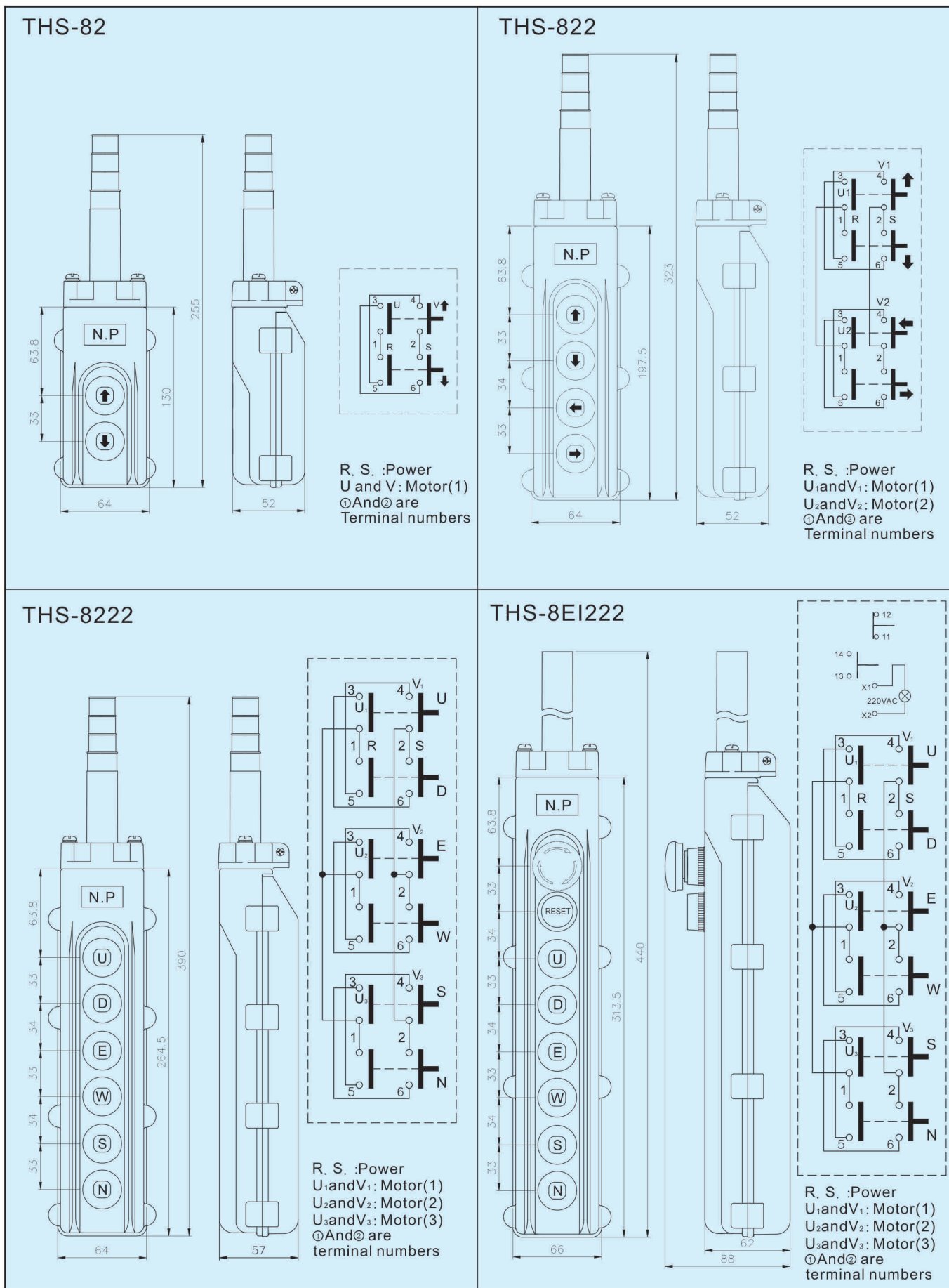
Designation	Signal	Description
Control Type	2	Direct Single Speed
Push button Switch (see page J5)	EX	Emergency Stop+ Waterproof Rubber
	EB	Emergency Stop+ Flat Push Button Switch
	EI	Emergency Stop+illuminated Push Button Switch
	EK	Emergency Stop+ Key Switch
	EP	Emergency Stop+ Pilot Lamp
	ES	Emergency Stop+ Selector Switch
	PB	on-off(1A) Switch



Note1: None : Represents Chinese sticker, A: Represents the arrow sticker, E: Represents English sticker, see page J5 ◦  
 Note2: THS-82222 model does not exist ◦



**DIMENSIONS AND WIRING DRAWING**



## FEATURES

- This switch is IP67 waterproof and made out of ABS housing. Suitable for out-door use.
- Single speed switch is designed with mechanical interlock mechanism. Double speed is designed with electrical interlock. Both designs can help prevent short-circuit.
- Can be used with emergency stop, pilot lamp, push button switch, or key switch.
- Single speed and double speed can be chosen alternatively.

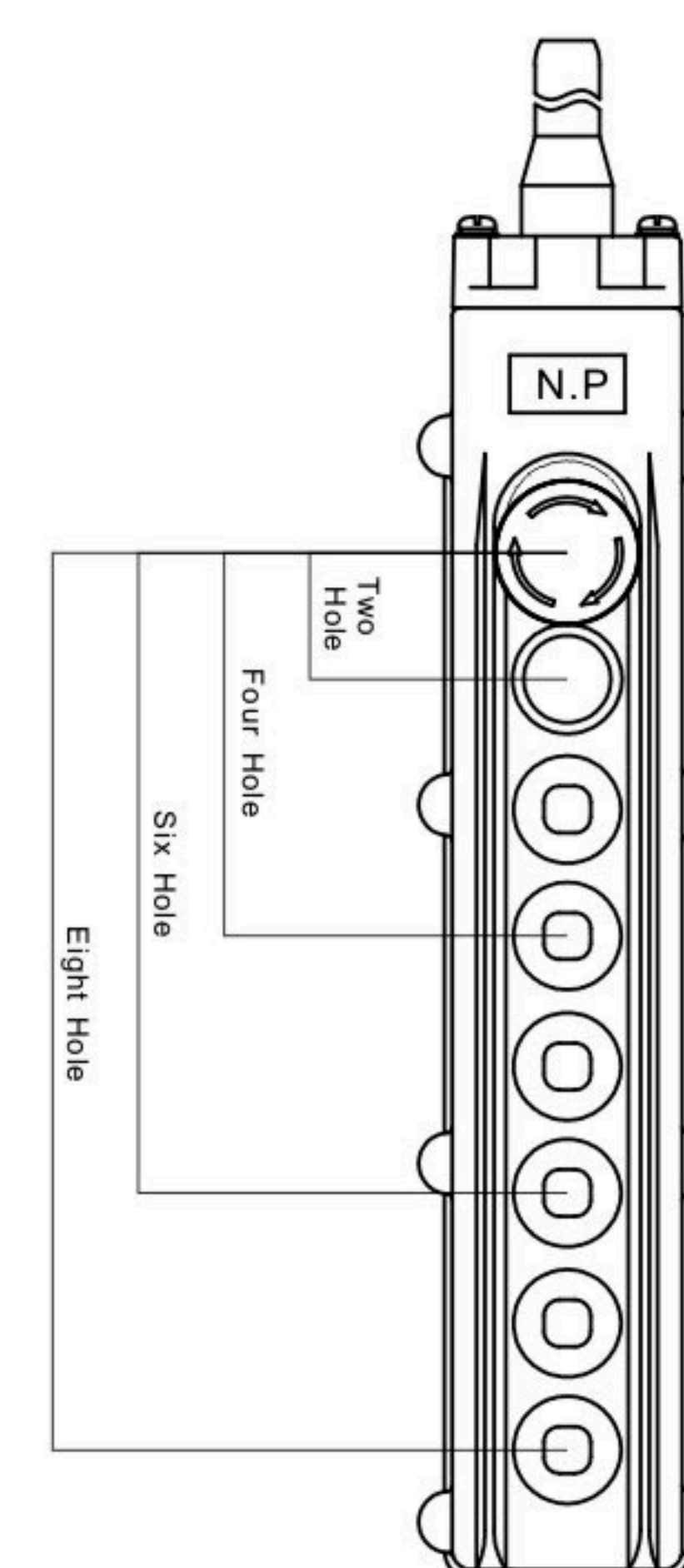
## CHARACTERISTICS

Type	SPEC	External Diameter of Cable		Terminal	Remarks
THS83C	2A 500VAC 5A 250VAC	Two Holes	Ø11.4~Ø12.6	M4	Control magnetic switch
		Four Holes	Ø14.3~Ø15.5		
Six Holes		Ø17.2~Ø18.4			
Eight Holes		Ø15.7~Ø17.1			

## MODEL DESCRIPTION

	One-Two Holes	Three-Four Holes	Five-Six Holes	Seven-Eight Holes	Label
THS-8	3				None
THS-8	3	3			A
THS-8	6	6	6		A
THS-8	EP	6	6	6	E

Designation	Signal	Description
Control Type	3	Indirect Double Speed
	6	Indirect Single Speed
Push button Switch (see page J5)	EX	Emergency Stop+ Waterproof Rubber
	EB	Emergency Stop+ Flat Push Button Switch
	EI	Emergency Stop+illuminated Push Button Switch
	EK	Emergency Stop+ Key Switch
	EP	Emergency Stop+ Pilot Lamp
	ES	Emergency Stop+ Selector Switch
	PB	On-off(1A) Switch

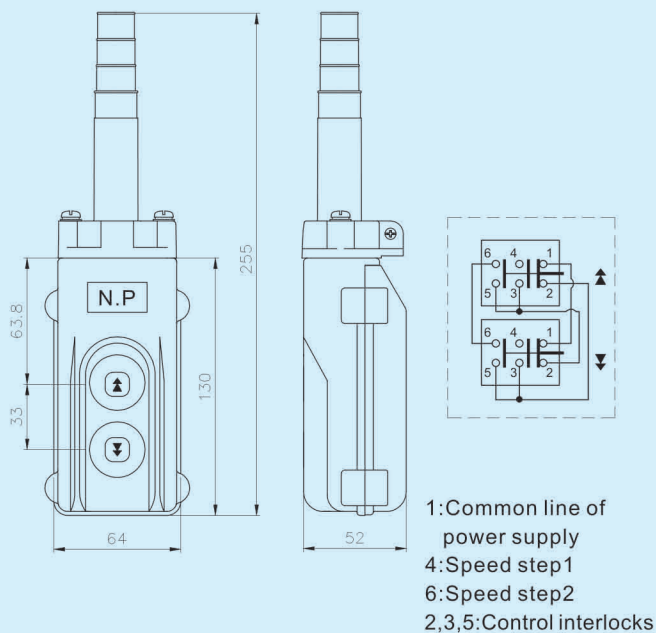


Note 1 : None : Represents Chinese sticker , A:Represents the arrow sticker , E:Represents English sticker , see page J5 .

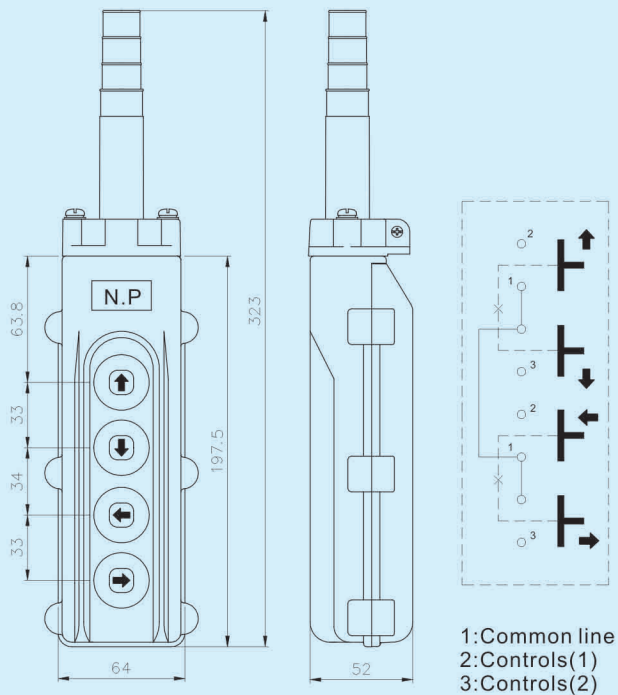


**DIMENSIONS AND WIRING DRAWING**

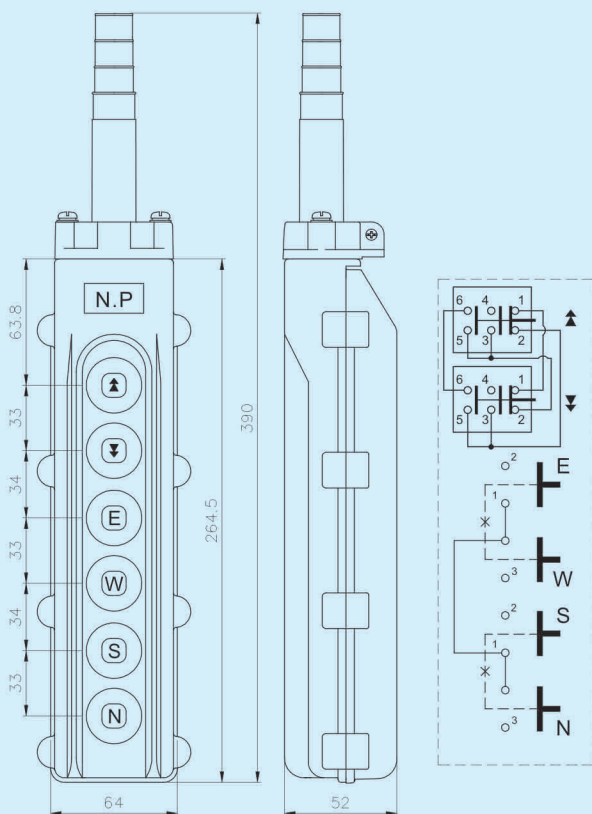
**THS-83**



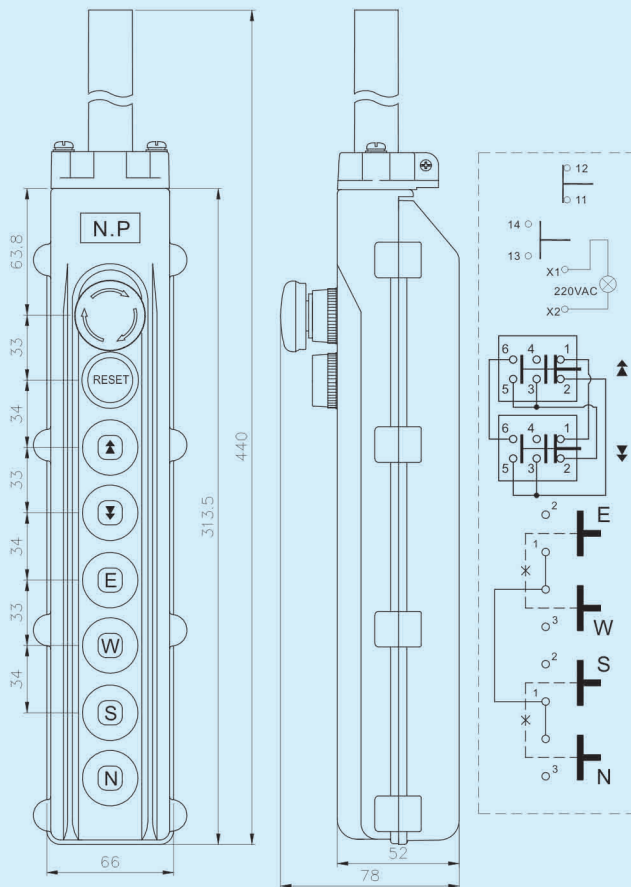
**THS-866**



**THS-8366**



**THS-8EI366**



■ PUSHBUTTON SWITCH(SELECTABLE)

Type	Photograph	Wiring diagram	Type	Photograph	Wiring diagram
<b>E</b> (THS-BKR)		( 1b ) 	<b>S</b> (THS-SSR)		( 2a ) 
<b>B</b> (THS-BFR)		( 1a1b ) 	<b>PB</b> (THS-PB)		( 1a ) 
<b>I</b> (THS-IFR)		( 1a ) Lamp Voltage:220VAC 	<b>X</b> (THS-X)		2*TP4*8 Screw Blanking Plate
<b>K</b> (THS-KSR)		( 2a ) 	<p>■ LABEL TYPES 2HS8C02 □ (The glue is applied on top side of the label and is designed only for THS8 series)</p> <p>Symbol Label(A)</p> <p>W X ↑ ▲</p> <p>English Abbreviation Label(E)</p> <p>G H I J K L U D E W S N M N O P Q R UP DOWN EAST WEST SOUTH NORTH S T U V START STOP ON OFF</p>		
<b>P</b> (THS-PR)		Lamp Voltage:220VAC 			

## FEATURES

- This switch is made out of ABS housing. Suitable for out-door use.
- This switch can control three phases motor directly. No need to use magnetic switch. Easy wiring.
- Unique mechanical interlock design, which can help prevent short-circuit.

## CHARACTERISTICS

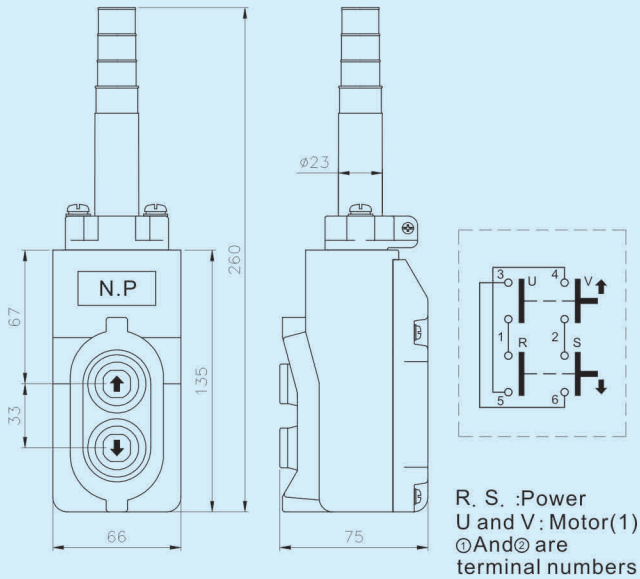
	Type	Label	Button	SPEC	External Diameter of Cable	Terminal	Remarks
Direct Operation	THS-213	None	2 (1 Set)	Single 100/110VAC 0.75KW Phase 200/220VAC 1.5KW	Ø13.3~Ø16.5	M3.5	Control Motor Directly
	THS-213L						
	THS-21	A	2 (1 Set)	Three 200/220VAC Phase 400/440VAC 2.2KW	Ø11.3~Ø13.5		
	THS-22		4 (2 Sets)		Ø13.3~Ø16.5		
	THS-23		6 (3 Sets)		Ø16.3~Ø19.5		

Note:None : Represents Chinese sticker , A:Represents the arrow sticker , E:Represents English sticker , see page J10 ◦

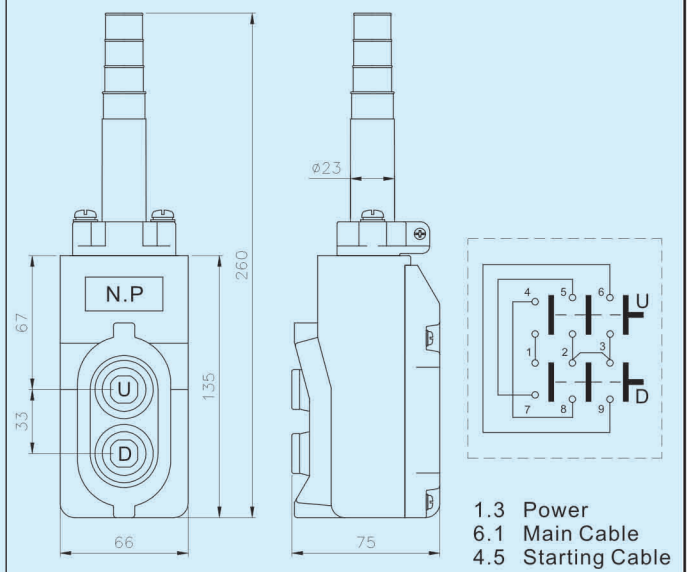


**DIMENSIONS AND WIRING DRAWING**

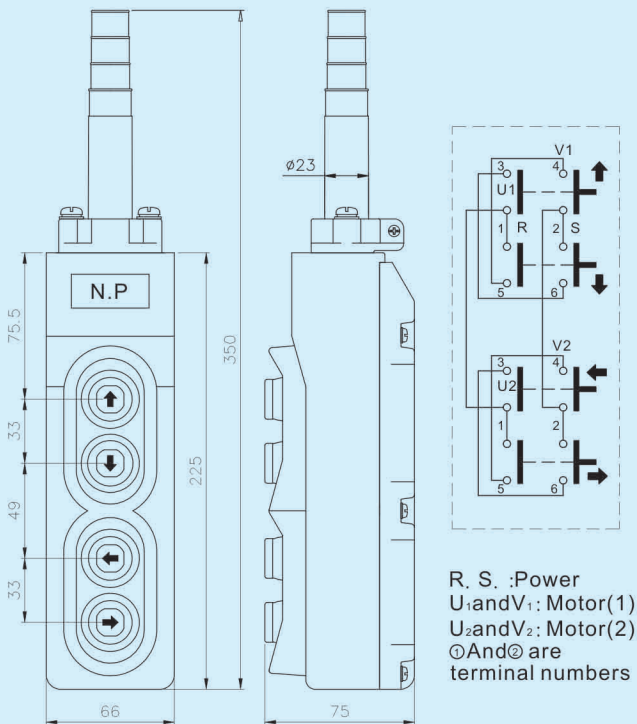
THS-21



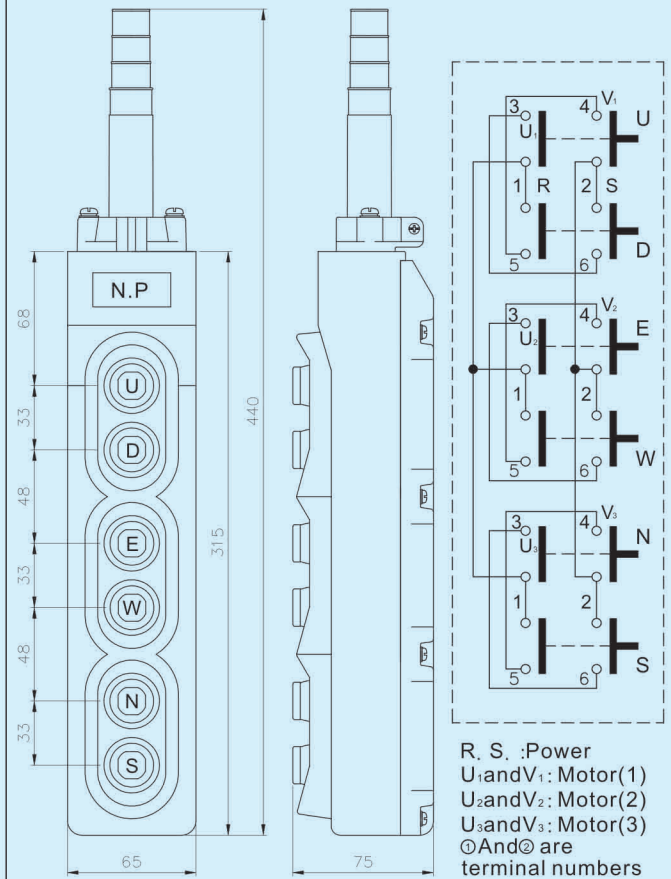
THS-213



THS-22



THS-23

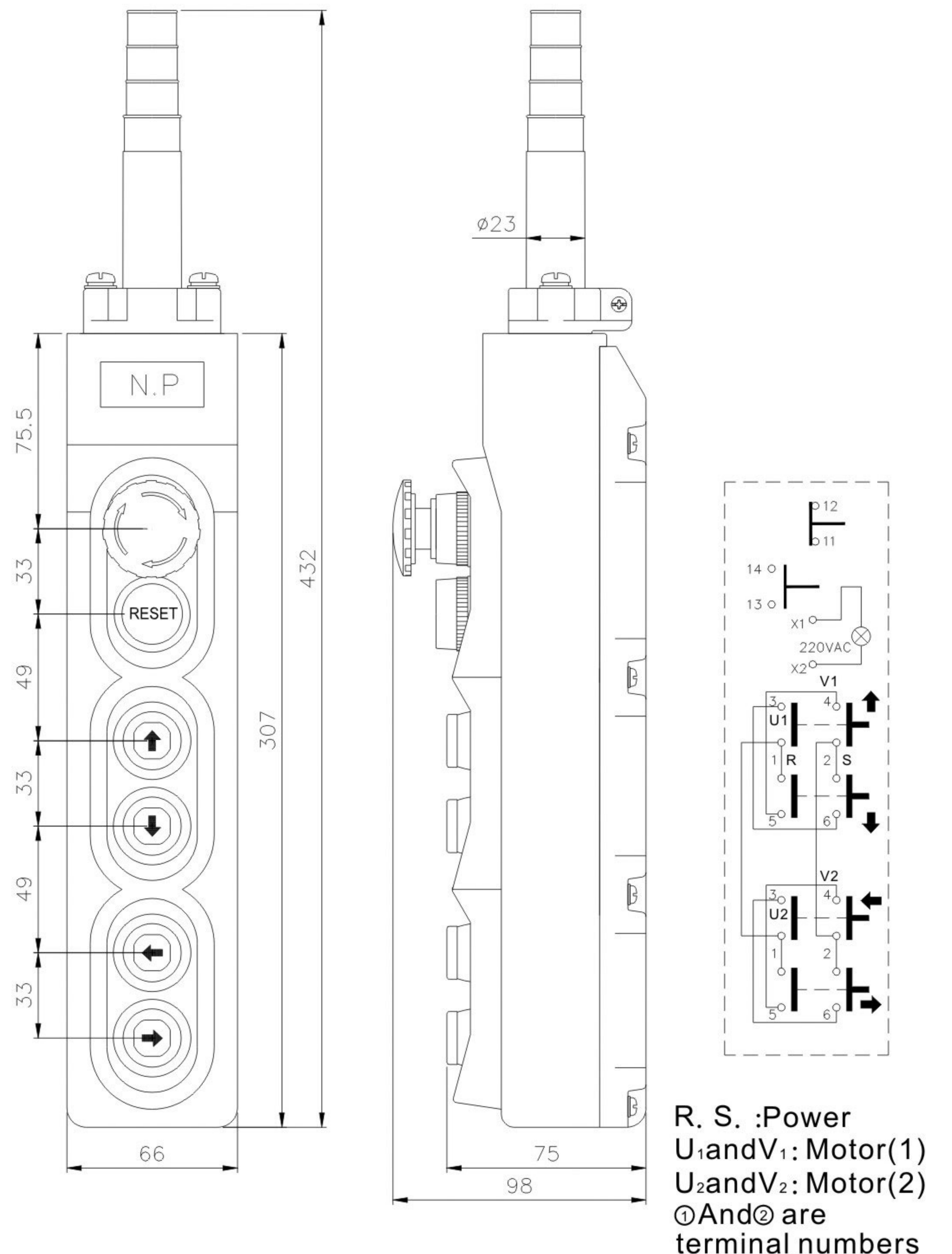


## CHARACTERISTICS

Type	Label	Button	Push button combination	Description	Diameter of lead	Terminal	Remarks		
Direct Operation	THS-EP213	None	1	T2BKRR-2B Emergency stop 2B(red)	10A 250VAC	Ø13.3~Ø16.5	M3.5	Control Motor Directly	
			2	T2PR2R Indicator(Red)	220VAC				
			3	THS-213C 213 Contact Block	1Ø 100/110V 0.75KW 200/220V 1.5KW				
			4						
	THS-EI22	A	1	T2BKRR-1B Emergency stop 1B(red)	10A 250VAC				
			2	T2IFR2G-1A illuminated flat head push button switch 1A(green)	220VAC				
			3 4	THS-2C-S 21Contact Block	3Ø 200/220V 2.2KW 400/440V 2.2KW				
	THS-EI23	E	1	T2BKRR-1B Emergency stop 1B(red)	10A 250VAC				Ø16.3~Ø19.5
			2	T2IFR2G-1A illuminated flat head push button switch 1A(green)	220VAC				
3 4 5 6			2*THS-2C-S 21 Contact Block*2	3Ø 200/220V 2.2KW 400/440V 2.2KW					

Note:None : represents Chinese sticker , A:represents the arrow sticker , E:represents English sticker , see page J10 ◦

## DIMENSIONS AND WIRING DRAWING





## FEATURES

- This switch is waterproof and made out of ABS housing. Suitable for out-door use.
- Unique mechanical interlock design, which can help prevent short-circuit.

## CHARACTERISTICS

	Type	Paster	Button	SPEC	External Diameter of Cable	Terminal	Remarks
Indirect Operation	THS-61	None	2(1 Set)	5A 250VAC 2A 500VAC	Ø11.4~Ø12.6	M4	Control magnetic switch
	THS-62	A	4(2 Sets)		Ø14.3~Ø15.5		
	THS-63	E	6(3 Sets)		Ø17.2~Ø18.4		

Note:None: Represents Chinese sticker, A:Represents the arrow sticker, E:Represents English sticker, see page J10.



## DIMENSIONS AND WIRING DRAWING

### THS-61

1: Common line  
2: Controls(1)  
3: Controls(2)

### THS-62

1: Common line  
2: Controls(1)  
3: Controls(2)

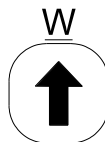
### THS-63

1: Common line  
2: Controls(1)  
3: Controls(2)

### LABEL TYPES 2HS2C02 □

(The glue is applied on back side of the label and is designed only for THS2 and THS6 series)

Symbol Label(A)



English Abbreviation Label(E)

