

XCKP2118G11

Limit switch, Limit switches XC Standard, XCKP, thermoplastic roller lever, 1NC+1 NO, snap, Pg11



Main

| | |
|-------------------------------|--|
| Range of Product | Telemecanique Limit switches XC Standard |
| Series name | Standard format |
| Product or Component Type | Limit switch |
| Device short name | XCKP |
| Sensor design | Compact form A CENELEC EN 50047 |
| Body type | Fixed |
| Head type | Rotary head |
| Material | Plastic |
| Body material | Plastic |
| Head material | Zamak |
| Fixing Mode | By the body |
| Movement of operating head | Rotary |
| Type of operator | Spring return roller lever thermoplastic |
| Type of approach | Lateral approach, 2 directions |
| Number of poles | 2 |
| Contacts type and composition | 1 NC + 1 NO |
| Contact operation | Snap action |

Complementary

| | |
|--|---|
| Tracks | 24/40 mm |
| Switch actuation | By 30° cam |
| Electrical connection | Screw-clamp terminals 1 x 0.34...2 x 1.5 mm ² |
| Cable entry | 1 entry tapped for Pg 11 cable gland |
| Contacts insulation form | Zb |
| Positive opening | With |
| Positive opening minimum torque | 2.21 lbf.in (0.25 N.m) |
| Minimum torque for tripping | 0.89 lbf.in (0.1 N.m) |
| Minimum actuation speed | 0.03 ft/s (0.01 m/s) |
| Maximum actuation speed | 4.92 ft/s (1.5 m/s) |
| Repeat accuracy | 0.1 mm on the tripping points with 1 million operating cycles |
| Contact code designation | A300, AC-15 (Ue = 240 V), Ie = 3 A 10 A EN/IEC 60947-5-1 appendix A Q300, DC-13 (Ue = 250 V), Ie = 0.27 A EN/IEC 60947-5-1 appendix A |
| [Ui] rated insulation voltage | 300 VUL 508 500 V 3)IEC 60947-1 300 VCSA C22.2 No 14 |
| Maximum resistance across terminals | 25 MOhm IEC 60255-7 category 3 |
| [Uimp] rated impulse withstand voltage | 6 KV IEC 60664 6 kV IEC 60947-1 |
| Short-circuit protection | 10 A cartridge fuse gG |
| Electrical durability | 5000000 Cycles, DC-13, 120 V, 4 W 60 cyc/mn 0.5 IEC 60947-5-1 appendix C 5000000 Cycles, DC-13, 24 V, 10 W 60 cyc/mn 0.5 IEC 60947-5-1 appendix C 5000000 cycles, DC-13, 48 V, 7 W 60 cyc/mn 0.5 IEC 60947-5-1 appendix C |
| Mechanical durability | 10000000 cycles |
| Width | 1.22 in (31 mm) |
| Height | 2.56 in (65 mm) |

| | |
|-------------------------------|------------------------|
| Depth | 1.18 in (30 mm) |
| Net Weight | 0.30 lb(US) (0.135 kg) |
| Terminals description ISO n°1 | (13-14)NO (21-22)NC |

Environment

| | |
|---------------------------------------|---|
| Shock resistance | 50 gn 11 ms IEC 60068-2-27 |
| Vibration resistance | 25 gn 10...500 Hz)IEC 60068-2-6 |
| IP degree of protection | IP66 conforming to IEC 60529 IP67 conforming to IEC 60529 |
| IK degree of protection | IK04 EN 50102 |
| Electrical shock protection class | Class II IEC 61140 Class II NF C 20-030 |
| Ambient Air Temperature for Operation | -13...158 °F (-25...70 °C) |
| Ambient Air Temperature for Storage | -40...158 °F (-40...70 °C) |
| Protective treatment | TC |
| Product Certifications | CSA[RETURN]CCC[RETURN]UL |
| Standards | CSA C22.2 No 14 EN 60204-1 UL 508 EN 60947-5-1 IEC 60204-1 IEC 60947-5-1 |

Ordering and shipping details

| | |
|-------------------|----------------------------------|
| Category | 22418-LIMIT SWITCH,IEC,XCKP&XCKT |
| Discount Schedule | T |
| GTIN | 3389110301373 |
| Returnability | Yes |
| Country of origin | ID |

Packing Units

| | |
|------------------------------|----------------------------|
| Unit Type of Package 1 | PCE |
| Number of Units in Package 1 | 1 |
| Package 1 Height | 1.34 in (3.400 cm) |
| Package 1 Width | 1.89 in (4.800 cm) |
| Package 1 Length | 5.04 in (12.800 cm) |
| Package 1 Weight | 4.09 oz (116.000 g) |
| Unit Type of Package 2 | S02 |
| Number of Units in Package 2 | 55 |
| Package 2 Height | 5.91 in (15.000 cm) |
| Package 2 Width | 11.81 in (30.000 cm) |
| Package 2 Length | 15.75 in (40.000 cm) |
| Package 2 Weight | 15.26 lb(US) (6.921 kg) |
| Unit Type of Package 3 | P06 |
| Number of Units in Package 3 | 880 |
| Package 3 Height | 29.53 in (75.000 cm) |
| Package 3 Width | 23.62 in (60.000 cm) |
| Package 3 Length | 31.50 in (80.000 cm) |
| Package 3 Weight | 259.84 lb(US) (117.860 kg) |

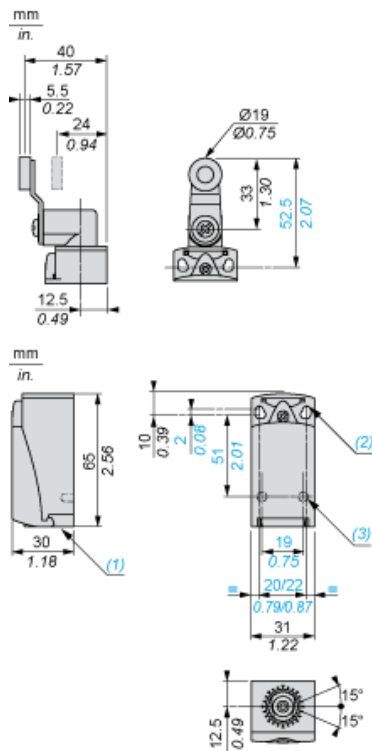
Offer Sustainability

| | |
|--|---|
| Sustainable offer status | Green Premium product |
| California proposition 65 | WARNING: This product can expose you to chemicals including: Diisononyl phthalate (DINP), which is known to the State of California to cause cancer, and Di-isodecyl phthalate (DIDP), which is known to the State of California to cause birth defects or other reproductive harm. For more information go to www.P65Warnings.ca.gov |
| Environmental Disclosure | Product Environmental Profile |
| Circularity Profile | End of Life Information |
| For all Reach Rohs enquiries contact us at | sustainability@tesensors.com |

Contractual warranty

| | |
|----------|-----------|
| Warranty | 18 months |
|----------|-----------|

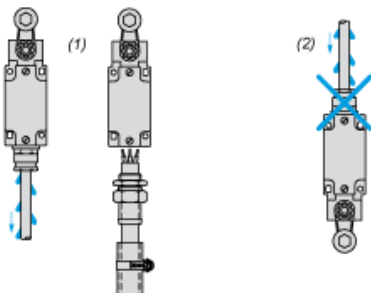
Dimensions



- (1) Tapped entry for Pg 11 cable gland
- (2) 2 elongated holes Ø 4.3 x 6.3 mm on 22 mm centres, 2 holes Ø 4.3 on 20 mm centres.
- (3) 2 x Ø 3 holes for support studs, depth 4 mm.

Mounting with Cable Entry

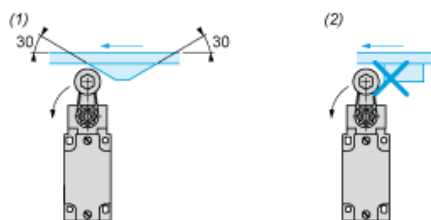
Position of Cable Gland



- (1) Recommended
- (2) To be avoided

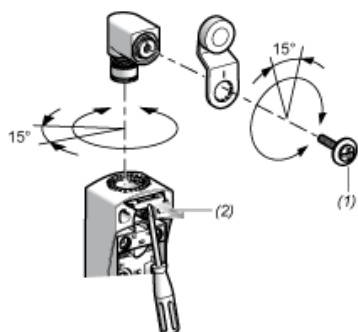
Mounting with Rotary Heads and Levers

Type of Cam



- (1) Recommended
- (2) To be avoided

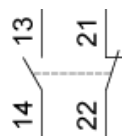
Setting-up with Head ZCE01 and ZCE09



- (1) Tightening torque (Min : 1) (Max : 1.5)
- (2) Tightening torque (Min : 0.8) (Max : 1.2)

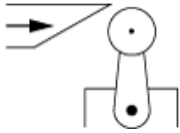
Wiring Diagram

2-pole NC + NO Snap Action

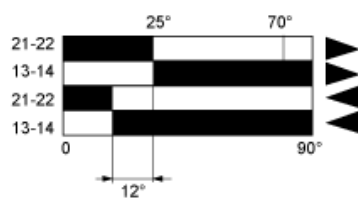


Characteristics of Actuation

Switch Actuation by 30° Cam



Functionnal Diagram



- (1)
- (2)
- ▶ (4)
- ◀ (5)

- (1) Closed
- (2) Open
- (4) Tripping
- (5) Resetting