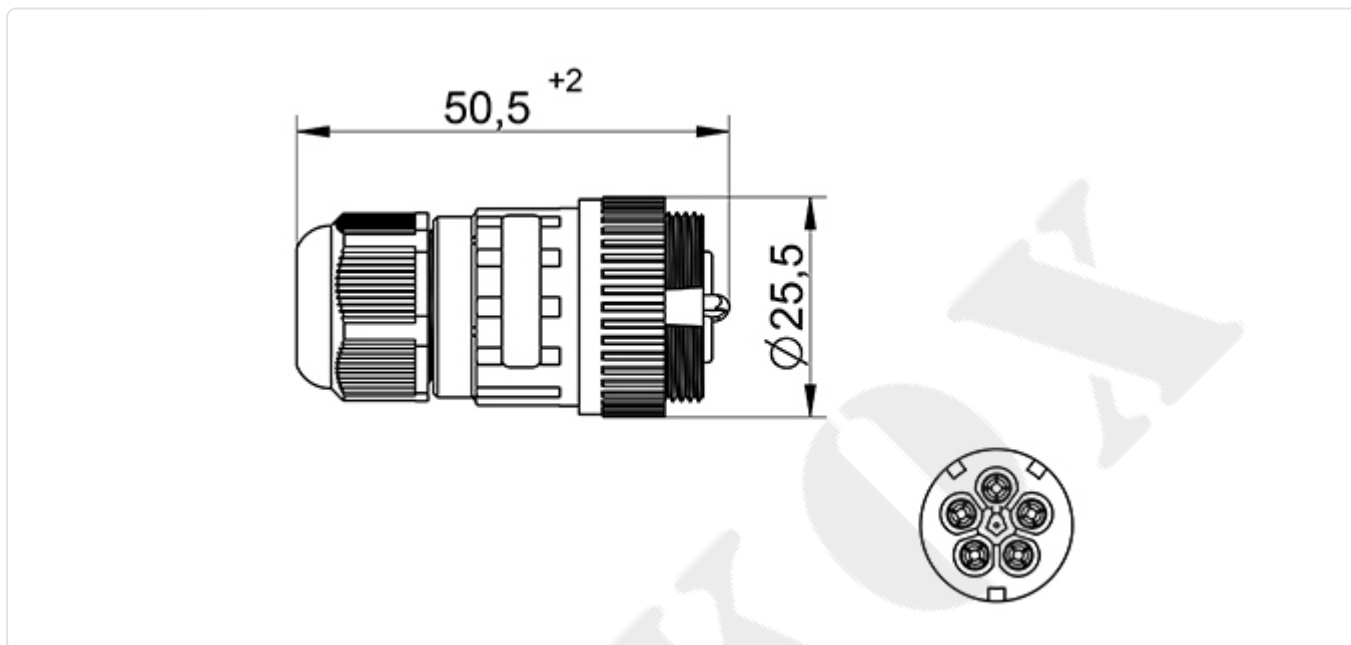


Watertight connectors IP68 WP68



WP5/H Socket connector IP68

Socket connector IP68

Connection capacity:

- Solid cable: 0,5 mm² / 1,5 mm²
- Flexible cable: 1,0 mm² / 1,5 mm²

Voltage: 450V

Temperature: -40°C +85°C

Constructive:

- Cable seals included Ø9,5mm, Ø11,5mm, Ø12,5mm.

Intensity: 15A

Poles: 4P+T

Type: Pluggable inline

