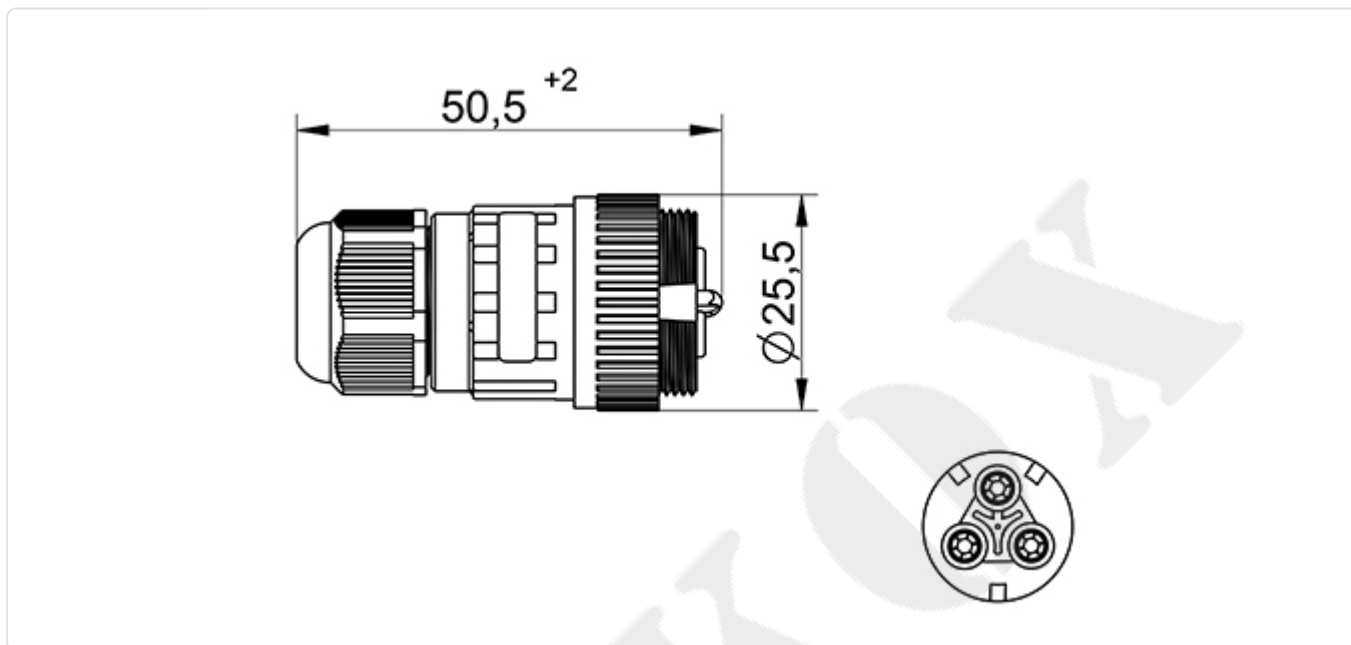


## Watertight connectors IP68 WP68



### WP3/H

Socket pluggable connector 2 Poles + Earth

**Connection capacity:**

- Solid cable: 0,5 mm<sup>2</sup> / 2,5 mm<sup>2</sup>

- Flexible cable: 1,0 mm<sup>2</sup> / 2,5 mm<sup>2</sup>

**Voltage:** 450V

**Temperature:** -40°C +85°C

**Constructive:**

- Cable seals included Ø8mm, Ø9,5mm, Ø11,5mm.

**Intensity:** 17,5A

**Poles:** 2P+T

**Type:** Pluggable inline

