



Enables connecting of additional copper wires without cutting the main conductor. Also suitable for being used as end blocks.

Higher protection against electrical shock. Save time during installation. Different types of mounting options available.



Types 50 mm<sup>2</sup> and above supplied with Allen screws

**Raw materials:**

**Body:** polyamide 6, red colour. V2 (according to UL94).

**Insert:** nickel-plated brass.

**Screws:** nickel-plated brass. Metric thread .



Glow-wire test 960°C according to EN 60695-2-11

Technical features according to EN 60998 (types up to 35 mm<sup>2</sup>) and EN 60947 (types from 50 mm<sup>2</sup> on)



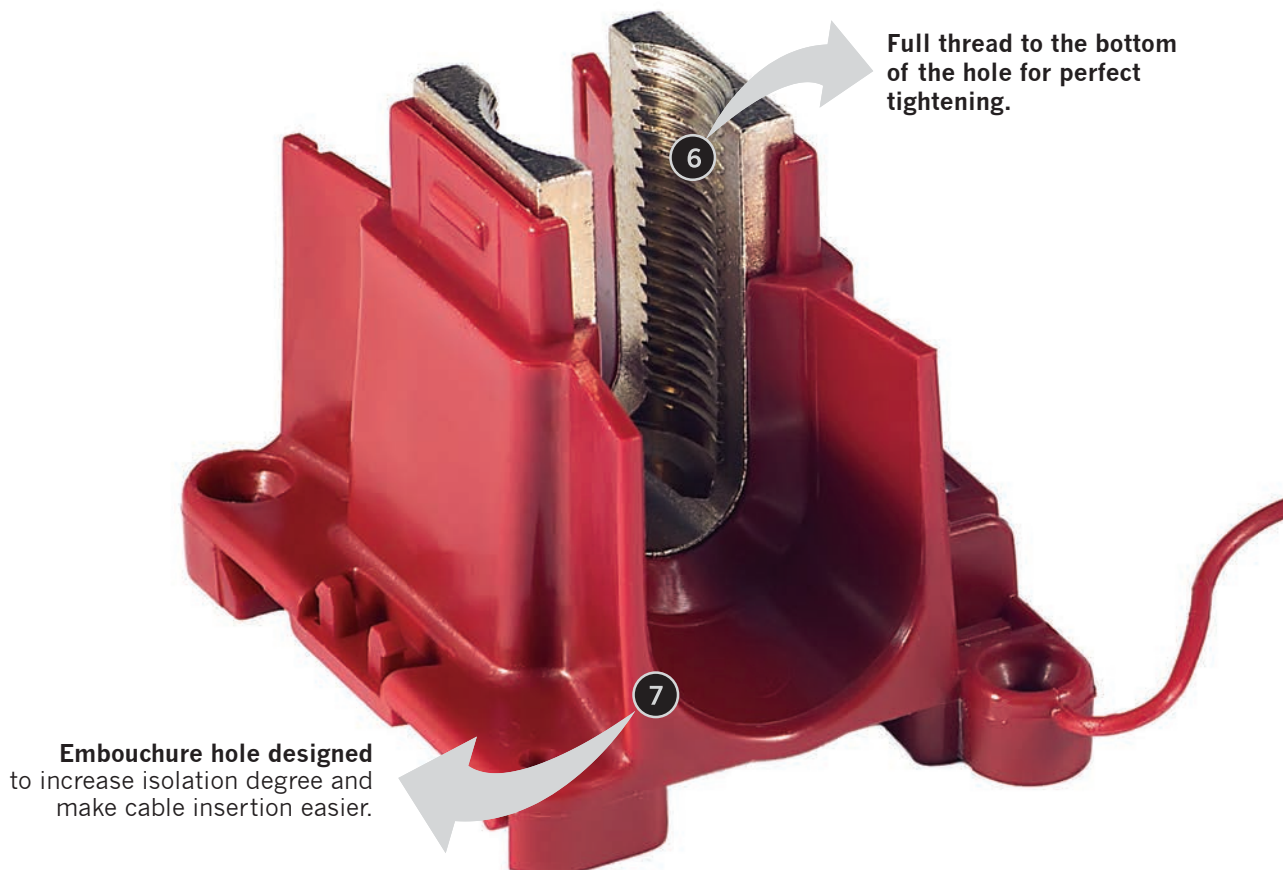
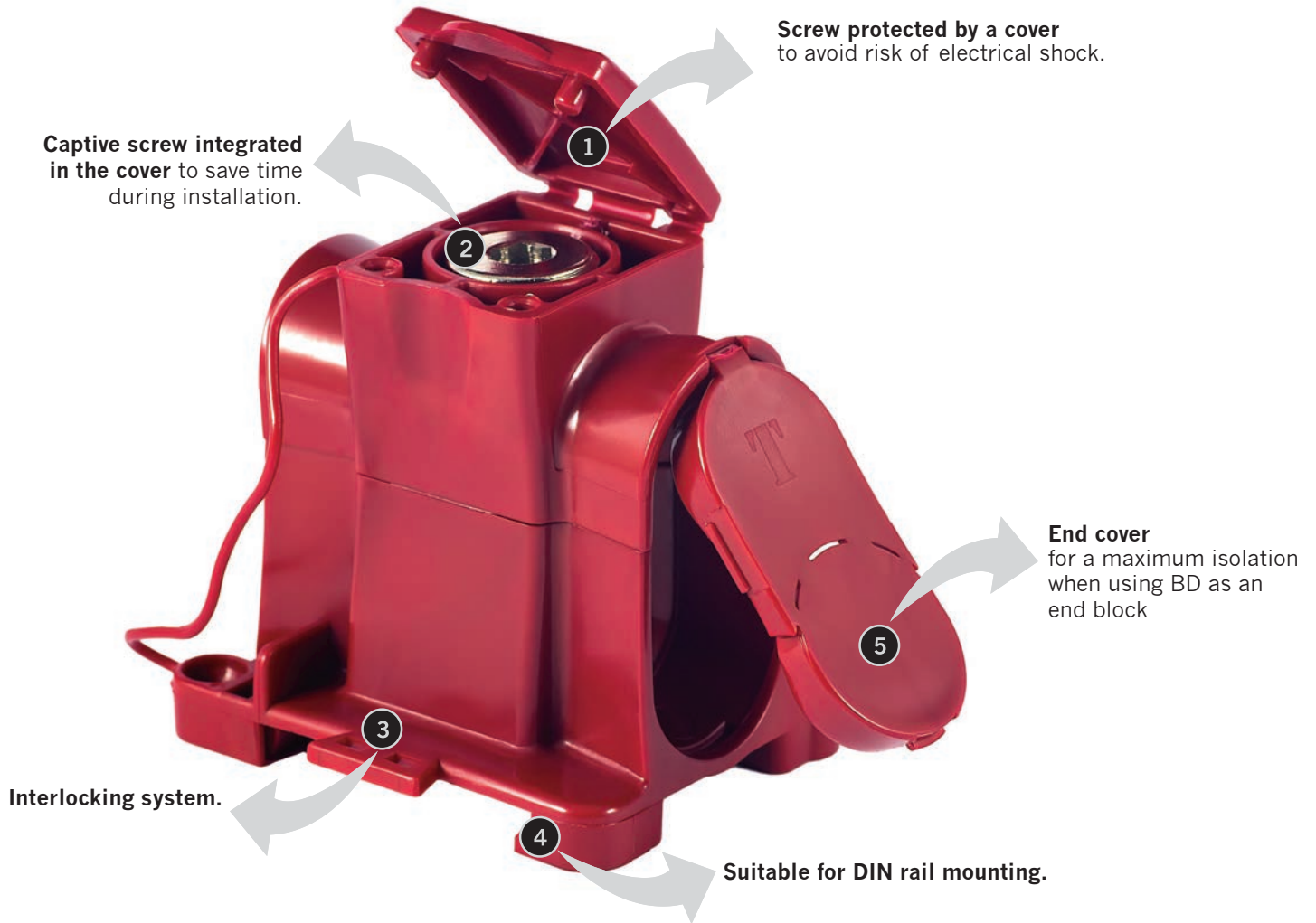
Enables branching without cutting the main conductor



Suitable for being used as end block due to its removable cover



Greater isolation degree compared to alternative products in the market



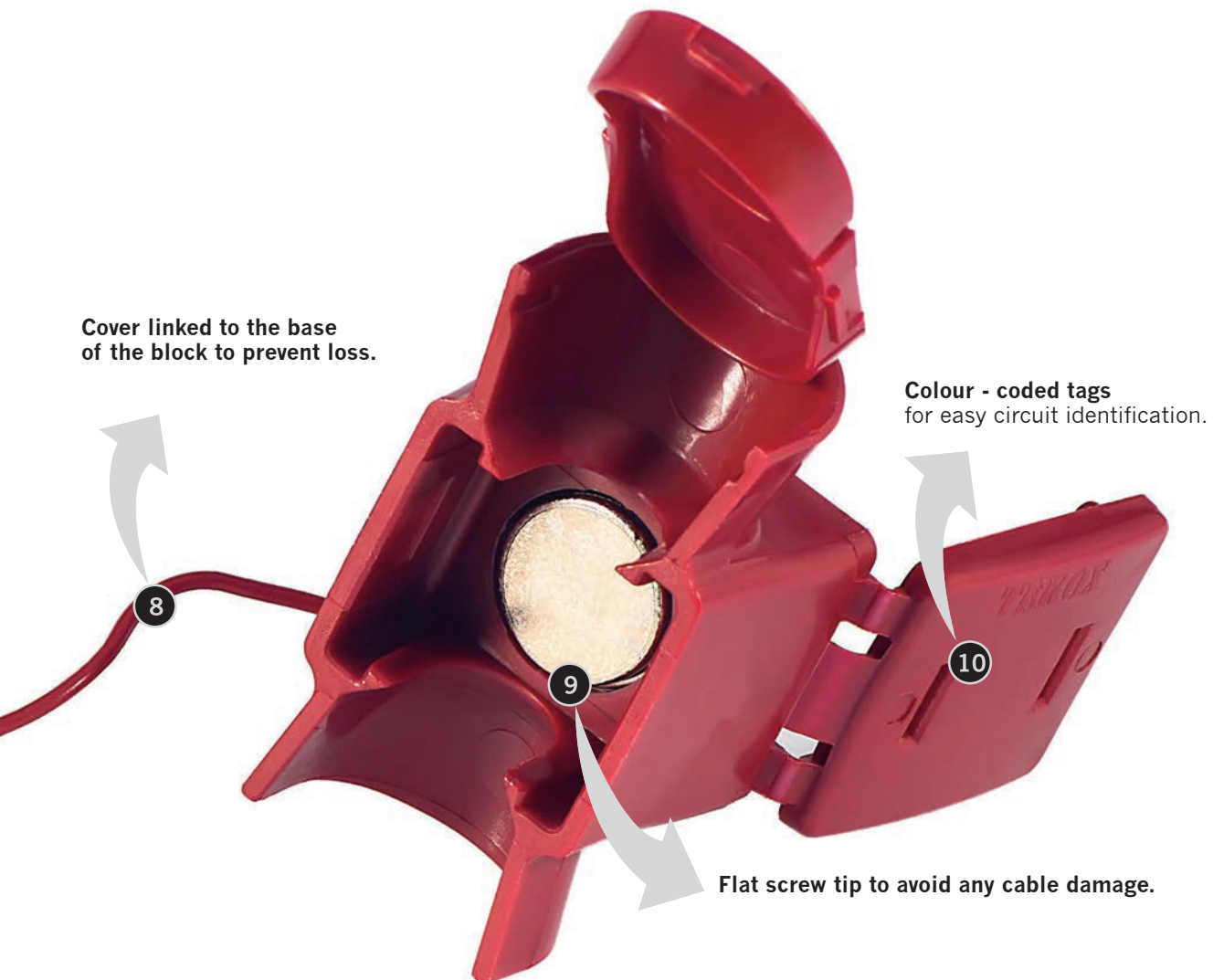
## BD Safety block

The best block for a safe connection

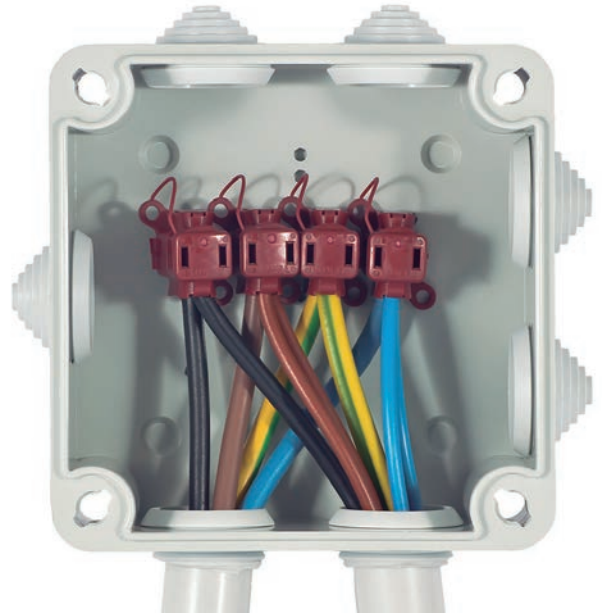
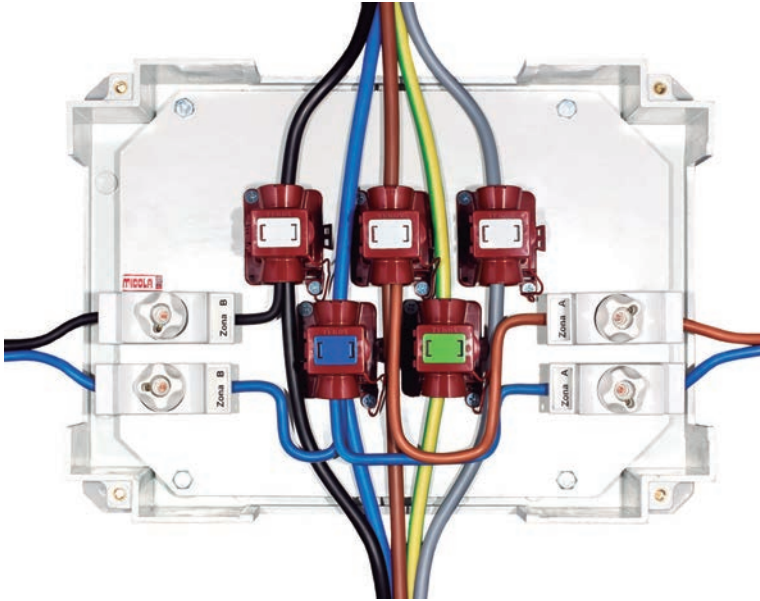
At TEKOX, we believe that electrical connections should be always made in a simple, fast and safe way.

Following these premises, the series of safety blocks BD are manufactured from high quality raw materials to guarantee the safety of the installation while making the installer's work easier.

We think of connections. We give solutions.







<b>BD 6</b>			20 pcs. 270x170x120 mm	1,75 Kg	
			0,8 Nm	M 5	12 ways
<b>SOLID CABLE</b> 6 mm <sup>2</sup> / 2,5 mm <sup>2</sup>			Voltage 750V	Current rating 41A	110°C
<b>FLEXIBLE CABLE</b> 4 mm <sup>2</sup> / 2,5 mm <sup>2</sup>					


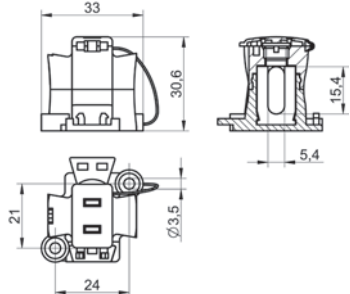








<b>BD 10</b>			20 pcs. 270x170x120 mm	2,93 Kg	
			1,2 Nm	M 6	12 ways
<b>SOLID CABLE</b> 10 mm <sup>2</sup> / 4 mm <sup>2</sup>			Voltage 750V	Current rating 57A	110°C
<b>FLEXIBLE CABLE</b> 6 mm <sup>2</sup> / 4 mm <sup>2</sup>					


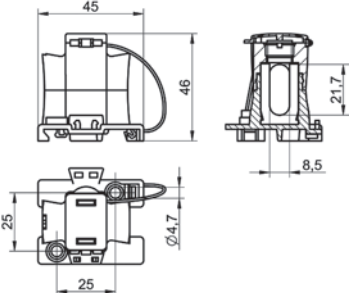


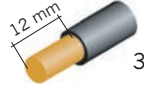



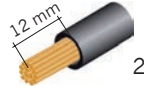



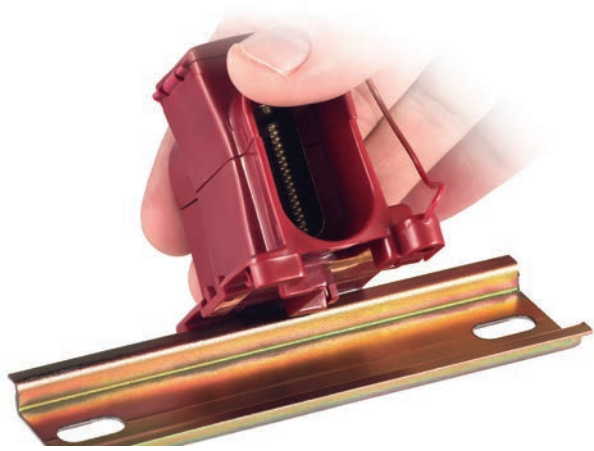
Up to 10 mm<sup>2</sup> supplied as 12 ways strips, easily divided by hand



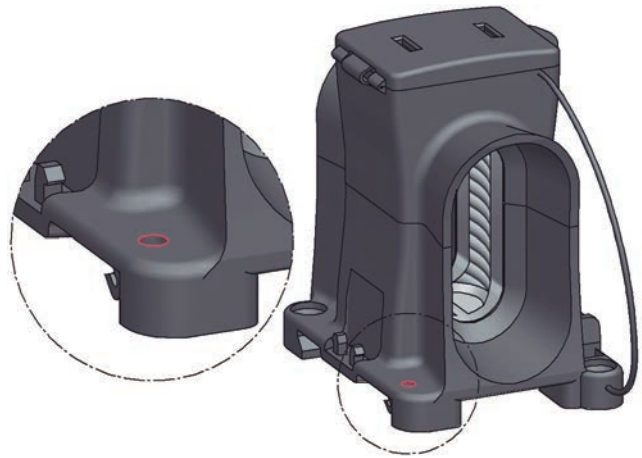
Types from 16 mm<sup>2</sup> to 120 mm<sup>2</sup> easily interlocked

<b>BD 16</b> 			 60 pcs. 170x140x125 mm		 1,10 Kg
 <b>SOLID CABLE</b> 16 mm <sup>2</sup> / 6 mm <sup>2</sup>			 2,5 Nm	 M 8	 1 way
 <b>FLEXIBLE CABLE</b> 10 mm <sup>2</sup> / 4 mm <sup>2</sup>			Voltage 750V	Current rating 76A	 110°C


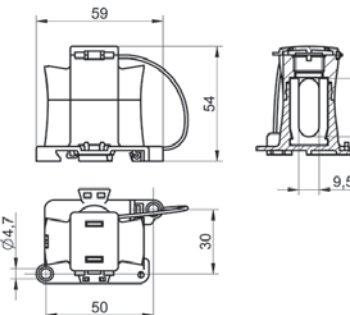








<b>BD 35</b> 			 16 pcs. 170x140x125 mm		 0,81 Kg
 <b>SOLID CABLE</b> 35 mm <sup>2</sup> / 16 mm <sup>2</sup>			 2,5 Nm	 M 12	 1 way
 <b>FLEXIBLE CABLE</b> 25 mm <sup>2</sup> / 10 mm <sup>2</sup>			Voltage 750V	Current rating 125A	 110°C









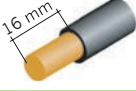
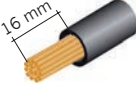












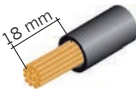

Rail DIN mounting available on types from 35 mm<sup>2</sup> to 120 mm<sup>2</sup>









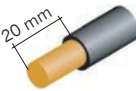
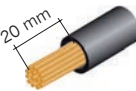



Strain relief: DIN rail mounting by Ø3 screw


<b>BD 50</b> 			 16 pcs. 270x170x120 mm		 1,16 Kg
<b>BD 50/A</b>  n°5			 5 Nm	 M 14	 1 way
 <b>SOLID CABLE</b> 50 mm <sup>2</sup>			Voltage 1000V	Current rating 150A	 110°C


<b>BD 70</b> 			 12 pcs. 170x140x125 mm		 1,30 Kg
<b>BD 70/A</b>   n°6			 5,5 Nm	 M 16	 1 way
 <b>SOLID CABLE</b> 70 mm <sup>2</sup>	 <b>FLEXIBLE CABLE</b> 50 mm <sup>2</sup>		Voltage 1000V	Current rating 192A	 110°C


<b>BD 95</b> 			 12 pcs. 270x170x120 mm		 1,40 Kg
<b>BD 95/A</b>   n°8			 9 Nm	 M 18	 1 way
 <b>SOLID CABLE</b> 95 mm <sup>2</sup>	 <b>FLEXIBLE CABLE</b> 70 mm <sup>2</sup>		Voltage 1000V	Current rating 232A	 110°C

<b>BD 120</b> 			 12 pcs. 270x170x120 mm		 2,11 Kg
<b>BD 120/A</b>   n°8			 11 Nm	 M 20	 1 way
 <b>SOLID CABLE</b> 120 mm <sup>2</sup>	 <b>FLEXIBLE CABLE</b> 95 mm <sup>2</sup>		Voltage 1000V	Current rating 269A	 110°C

Colour-coded tags for the identification of circuits.

Line "L" - Grey colour 















Earth "T" - Green colour 

Neutral "N" - Blue colour 



Colour - coded tags for the identification of circuits



<b>BDBS 6/16 L</b> 	<b>Line</b> tag for types from 6 mm <sup>2</sup> to 16 mm <sup>2</sup>	 Supplied in strips of 6 tags	 180 tags Plastic bag
<b>BDBS 6/16 T</b> 	<b>Earth</b> tag for types from 6 mm <sup>2</sup> to 16 mm <sup>2</sup>		 180 tags Plastic bag
<b>BDBS 6/16 N</b> 	<b>Neutral</b> tag for types from 6 mm <sup>2</sup> to 16 mm <sup>2</sup>		 180 tags Plastic bag
<b>BDBS 35/120 L</b> 	<b>Line</b> tag for types from 35 mm <sup>2</sup> to 120 mm <sup>2</sup>	 Supplied in strips of 5 tags	 150 tags Plastic bag
<b>BDBS 35/120 T</b> 	<b>Earth</b> tag for types from 35 mm <sup>2</sup> to 120 mm <sup>2</sup>		 150 tags Plastic bag
<b>BDBS 35/120 N</b> 	<b>Neutral</b> tag for types from 35 mm <sup>2</sup> to 120 mm <sup>2</sup>		 150 tags Plastic bag