



Terminal, screw terminal, through-type terminal, 70 mm², beige

Model	
product brand name	SENTRON
product designation	Terminal blocks
design of terminal terminal levels internally linked	No
General technical data	
terminal contact spacing	20 mm
operating voltage rated value	1 000 V
Protection class	
combustibility class according to UL 94	V0
Main circuit	
operational current rated value	192 A
Appearance	
color	grey
Product details	
product component required end cover plate	No
Number	
number of terminal levels	1
number of terminal points per terminal level	2
Connections	
stripped length	24 mm
connectable conductor cross-section solid	
• minimum	16 mm ²
• maximum	95 mm ²
connectable conductor cross-section stranded	
• minimum	16 mm ²
• maximum	70 mm ²
connectable conductor cross-section finely stranded	
• with core end processing minimum	16 mm ²
• with core end processing maximum	70 mm ²
• without core end processing minimum	16 mm ²
• without core end processing maximum	70 mm ²
tightening torque with screw-type terminals	
• minimum	8 N·m
• maximum	10 N·m
type of connection 1	screw-type terminal
type of connection 2	screw-type terminal
position of the terminal	lateral
Mechanical Design	
height	78.3 mm
height with lowest-profile installation	78.3 mm

depth	70.5 mm
length	70.5 mm
fastening method	DIN rail 35 mm
net weight	147.23 g
material of the insulating body	Thermoplast

Environmental conditions

ambient temperature during operation	
<ul style="list-style-type: none"> • minimum 	-60 °C
<ul style="list-style-type: none"> • maximum 	105 °C

Approvals Certificates

General Product Approval	other	Environment
--------------------------	-------	-------------



[Confirmation](#)



[Confirmation](#)

[Miscellaneous](#)

[Environmental Confirmations](#)

Further information

Information on the packaging

<https://support.industry.siemens.com/cs/ww/en/view/109813875>

Information- and Downloadcenter (Catalogs, Brochures,...)

<http://www.siemens.com/lowvoltage/catalogs>

Industry Mall (Online ordering system)

<https://mall.industry.siemens.com/mall/en/en/Catalog/product?mlfb=8WH1000-0AP00>

Service&Support (Manuals, Certificates, Characteristics, FAQs,...)

<https://support.industry.siemens.com/cs/ww/en/ps/8WH1000-0AP00>

Image database (product images, 2D dimension drawings, 3D models, device circuit diagrams, ...)

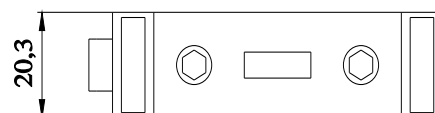
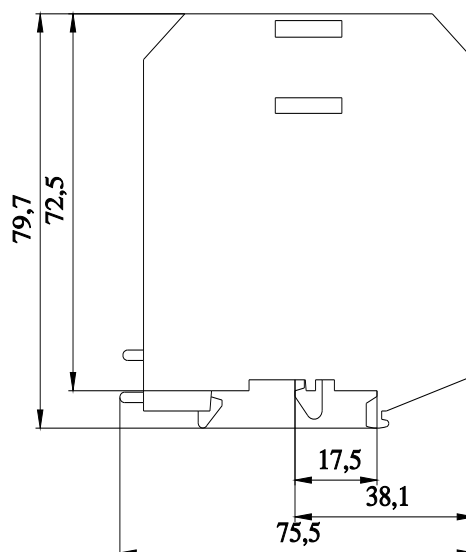
http://www.automation.siemens.com/bilddb/cax_en.aspx?mlfb=8WH1000-0AP00

CAX-Online-Generator

<http://www.siemens.com/cax>

Tender specifications

<http://www.siemens.com/specifications>



last modified:

7/19/2023 