



Terminal, screw terminal, through-type terminal, 4 mm², gray

Model	
product brand name	SENTRON
product designation	Terminal blocks
design of the product	through-type terminal
product variations	through-type terminal, for mounting on mounting rail acc. to IEC 60715
design of terminal terminal levels internally linked	No
operating voltage rated value	1 000 V
Protection class	
combustibility class according to UL 94	V0
Main circuit	
operational current rated value	32 A
Appearance	
color	grey
Product details	
product component required end cover plate	Yes
Number	
number of terminal levels	1
number of terminal points per terminal level	2
Connections	
connectable conductor cross-section solid	
• minimum	0.14 mm ²
• maximum	6 mm ²
connectable conductor cross-section stranded	
• minimum	1.5 mm ²
• maximum	0.14 mm ²
connectable conductor cross-section finely stranded	
• with core end processing minimum	0.14 mm ²
• with core end processing maximum	4 mm ²
• without core end processing minimum	0.14 mm ²
• without core end processing maximum	6 mm ²
tightening torque with screw-type terminals	
• minimum	0.6 N·m
• maximum	1 N·m
type of connection 1	screw-type terminal
type of connection 2	screw-type terminal
position of the terminal	lateral
Mechanical Design	
height	48 mm
height with lowest-profile installation	47.5 mm
depth	46.85 mm

length	48 mm
fastening method	TH35 DIN rail
net weight	9 g
material of the insulating body	Other

Environmental conditions

ambient temperature during operation	
<ul style="list-style-type: none"> • minimum • maximum 	<ul style="list-style-type: none"> -60 °C 105 °C

Approvals Certificates

General Product Approval	other
--------------------------	-------



[Confirmation](#)



[Miscellaneous](#)

other	Environment
-------	-------------

[Confirmation](#)

[Environmental Con-
firmations](#)

[Environmental Con-
firmations](#)

Further information

Information on the packaging

<https://support.industry.siemens.com/cs/ww/en/view/109813875>

Information- and Downloadcenter (Catalogs, Brochures,...)

<http://www.siemens.com/lowvoltage/catalogs>

Industry Mall (Online ordering system)

<https://mall.industry.siemens.com/mall/en/en/Catalog/product?mlfb=8WH1000-0AG00>

Service&Support (Manuals, Certificates, Characteristics, FAQs,...)

<https://support.industry.siemens.com/cs/ww/en/ps/8WH1000-0AG00>

Image database (product images, 2D dimension drawings, 3D models, device circuit diagrams, ...)

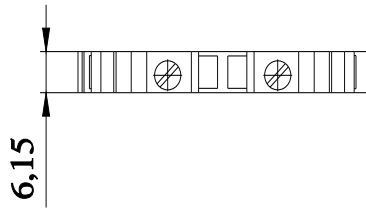
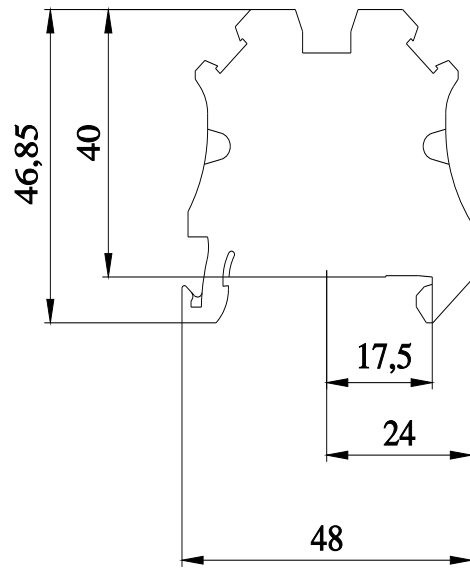
http://www.automation.siemens.com/bilddb/cax_en.aspx?mlfb=8WH1000-0AG00

CAX-Online-Generator

<http://www.siemens.com/cax>

Tender specifications

<http://www.siemens.com/specifications>



last modified:

3/12/2024 

