



Figure similar

Quartz time switch Day 1 change-over contact 230V/50-60Hz Surface-mounting

Model	
product brand name	SETRON
product designation	Mechanical time switch
design of the product	Day
design of the switching function	CO contact
General technical data	
principle of operation	
• line-synchronous	No
• quartz-controlled	Yes
accuracy per day	2.5 s
shortest switching time interval of channel 1	30 min
Supply voltage	
supply voltage initial value	230 V
supply voltage full-scale value	230 V
type of voltage of the supply voltage	AC
supply voltage frequency	
• minimum	50 Hz
• maximum	50 Hz
Protection class	
protection class IP	IP20
Breaking Capacity	
switching capacity current at AC at 250 V rated value	16 A
Product function	
product function	
• 60 min time program	No
• automatic daylight-saving adjustment	No
• direct operation	Yes
• annual time program	No
• switching preselection	Yes
• 24 hr time program	Yes
• weekly time program	No
Number	
number of channels	1
Mechanical Design	
height	110 mm
width	69 mm
depth	34 mm
fastening method	others
net weight	205 g

Approvals Certificates

General Product Approval

other



[Confirmation](#)



[Confirmation](#)

other

Dangerous Good

Environment

[Miscellaneous](#)

[Dangerous Goods In-formation](#)

[Environmental Con-firmations](#)

Further information

Information on the packaging

<https://support.industry.siemens.com/cs/ww/en/view/109813875>

Information- and Downloadcenter (Catalogs, Brochures,...)

<http://www.siemens.com/lowvoltage/catalogs>

Industry Mall (Online ordering system)

<https://mall.industry.siemens.com/mall/en/en/Catalog/product?mlfb=7LF5305-0>

Service&Support (Manuals, Certificates, Characteristics, FAQs,...)

<https://support.industry.siemens.com/cs/ww/en/ps/7LF5305-0>

Image database (product images, 2D dimension drawings, 3D models, device circuit diagrams, ...)

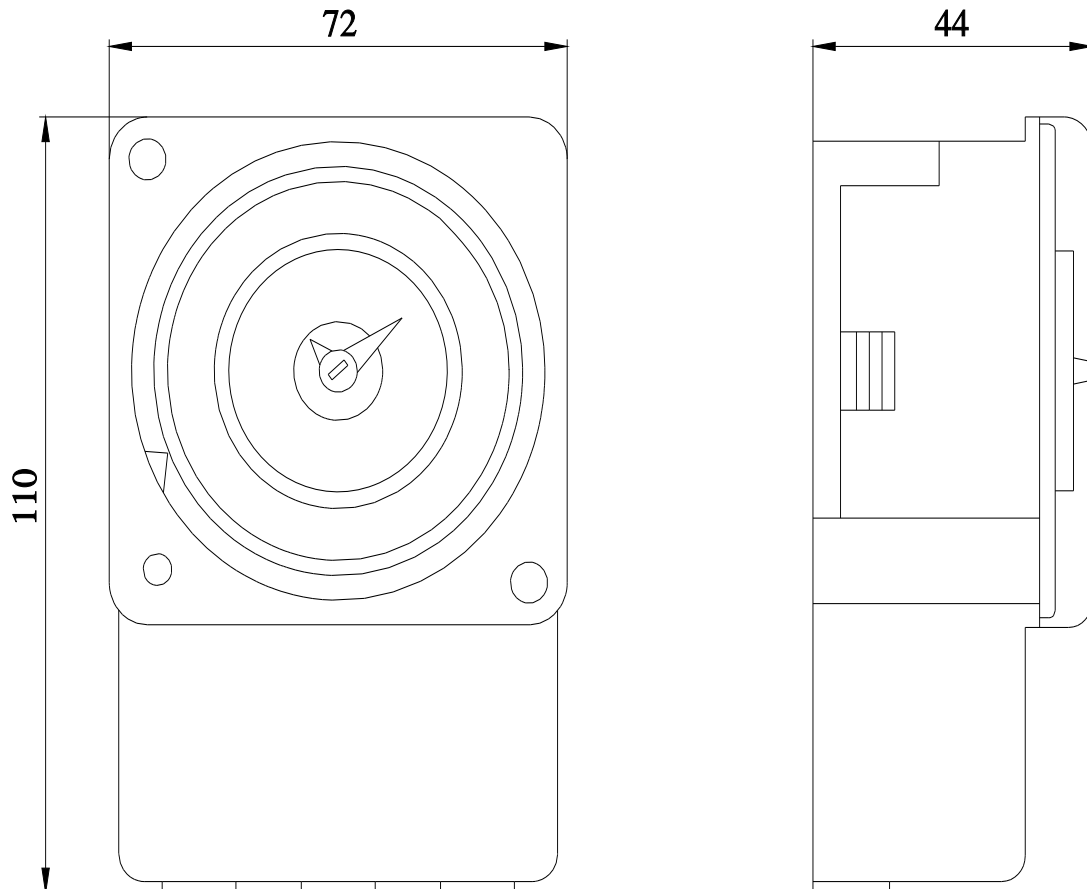
http://www.automation.siemens.com/bilddb/cax_en.aspx?mlfb=7LF5305-0

CAX-Online-Generator

<http://www.siemens.com/cax>

Tender specifications

<http://www.siemens.com/specifications>



last modified:

2/8/2023

