

# Z170REG-1

## DC DUPLICATOR / ISOLATOR WITH UNIVERSAL INPUT AND 2 OUTPUT

### Highlights

- Power Supply Vac/dc
- Power transducers
- Selectable input V, mA, Ohm, thermocouple (TC), thermoresistance (RTD)
- Dual selectable output mA (active/passive), V
- Sampling time from 5 to 20 ms
- Resolution @ 14 bit
- Isolation 1.500 Vac power supply / input / output
- Setting by DIP switches, software or APP
- Micro USB connector (front side)
- Operating temperature -10...+60°C
- UL Certification

The Z170REG-1 module acquires a universal input signal and converts it into an analog format, returning two independent and isolated universal outputs.

Isolation voltage between power supply / input / output features 1.500 Vac.

The signal converter offers the possibility to choose between different types of input: voltage, current, potentiometer, thermocouple (TC) by thermoresistance (RTD).

The two analog outputs have 14-bit resolution.

Selecting the current input it's possible to power an external sensor.

The module has a Micro USB connector on the front panel and can be configured by software or specific App for Android devices.



# Z170REG-1



## DC DUPLICATOR / ISOLATOR WITH UNIVERSAL INPUT AND 2 OUTPUT

### TECHNICAL DATA

#### GENERAL DATA

Power Supply	10..40 Vdc; 19..28 Vac
Power transducers	Yes max 25 mA, 17 Vdc
Max consumption	0.5..2 W
Isolation	1.500 Vac at 4 ways between input// power supply // output 1 // output 2
Protection degree	IP20
LED status indicators	Power Supply Alarm
Response time	< 25 ms
Interfaces	Micro USB (front side)
Accuracy class	0,10%
Thermal drift	0,01% /K
Linearity	<1% (input), 0.01% (output)
Setting	DIP switch Software (EASY SETUP) App (EASY SETUP)
Operating temperature	-10..+65°C
Dimension	17,5 x 100 x 112 mm
Connection	Removable screw terminals
Case	Nylon 6 30% glass fiber
Mounting	On 35 mm DIN rail (IEC/EN 60715)
Weight	200 g
Approvals	CE, UL
Norms	EN 61000-6-4, EN 61000-6-2, EN 61010-1

#### INPUT DATA

Channels	1
Type	VOLTAGE: configurable range 0..10 V CURRENT: configurable range 0..20 mA (active / passive module) Potentiometer: configurable range 1 kΩ ..100 kΩ Thermocouple: J,K,R,S,T,B,E,N RTD: Pt100, Pt500, Pt1000, Ni100 Resolution @14 bit Sampling time configurable from 5 to 20 ms

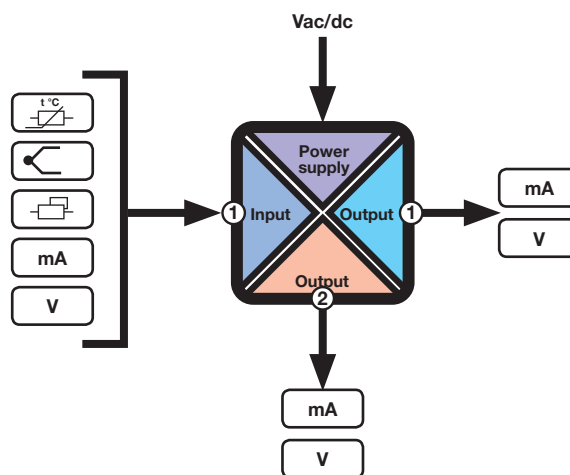
#### OUTPUT DATA

Channels	2
Type	VOLTAGE: Configurable range 0..10 V CURRENT: Configurable range 0..20 mA (active / passive) Resolution @14 bit

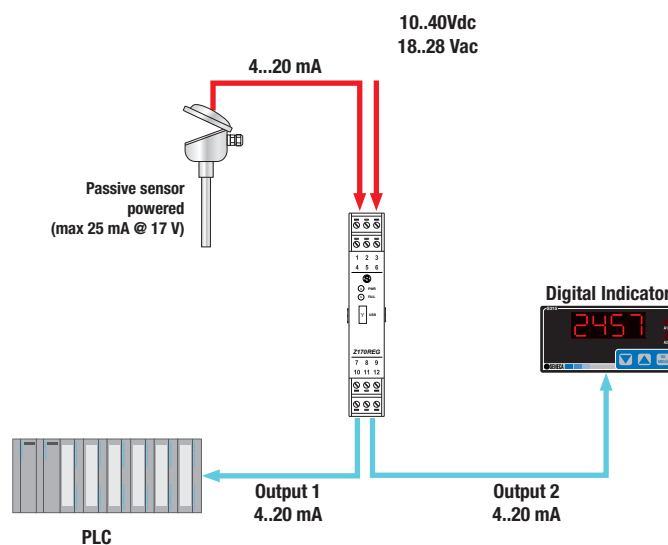
### ORDER CODES

Code	Description
Z170REG-1	DC duplicator / isolator with universal input and 2 output, Micro USB port, configurable by App
CU-A-MICROB	USB-A Micro USB-B 5 P plug cable
CU-A-MICRO-OTG	Micro USB OTG to USB Type A (female) Adapter Cable
EASY SETUP	Plug&Play software suite for SENECA programmable instruments
EASY SETUP APP	App iOS / Android EASY SETUP suite
Z-POWER-115-15VA	DIN rail 19 Vac transformer, 115 / 15 VA with thermofuse
Z-POWER-230-15VA	DIN rail 19 Vac transformer, 230 / 15 VA with thermofuse
Z-POWER-230-25VA	DIN rail 19 Vac transformer, 230 / 25 VA with thermofuse
Z-SUPPLY	Single-phase switching power supply 24V @ 1.5A

### SIGNAL / ISOLATION DIAGRAM



### APPLICATION SCHEME



### SETTING BY USB INTERFACE

