

Product data sheet

Specifications



Light block, Harmony XB4 XB5, white, for head 22mm, universal LED, screw clamp terminals, 24V AC DC

ZBVB1

Product availability : Stock - Normally stocked in distribution facility

Price* : 52.00 USD

Main

Range of Product	Harmony XB5 Harmony XB4
Product or Component Type	Light block
Device short name	ZBV
Sale per indivisible quantity	5
Connections - terminals	Screw clamp terminals, $\leq 2 \times 1.5 \text{ mm}^2$ with cable end IEC 60947-1 Screw clamp terminals, $\geq 1 \times 0.22 \text{ mm}^2$ without cable end IEC 60947-1
Signalling type	Steady
Light source	Universal LED
Bulb base	Integral LED
Light block supply	Direct
Light source colour	White
[Us] rated supply voltage	24 V AC/DC 50/60 Hz

Complementary

Net Weight	0.04 lb(US) (0.017 kg)
Tightening torque	7.08...10.62 lbf.in (0.8...1.2 N.m) IEC 60947-1
Shape of screw head	Cross Philips no 1 Cross pozidriv No 1 Slotted flat $\varnothing 4 \text{ mm}$ Slotted flat $\varnothing 5.5 \text{ mm}$
Supply voltage limits	19.2...30 V DC 21.6...26.4 V AC
Current Consumption	15 mA
Service life	100000 h at rated voltage and 25 °C
Surge withstand	1 kV IEC 61000-4-5
Mounting of block	Front mounting
Electrical composition code	M1 M2 M3 M4 M5 M6 M10

* Price is "List Price" and may be subject to a trade discount – check with your local distributor or retailer for actual price.

MF1
P1
P2
PF1

Device presentation Basic element

Environment

Protective treatment TH

Ambient Air Temperature for Storage -40...158 °F (-40...70 °C)

Ambient air temperature for operation -40...158 °F (-40...70 °C)

IP degree of protection IP20 IEC 60529

Standards JIS C8201-5-1
IEC 60947-1
IEC 60947-5-1
CSA C22.2 No 14
IEC 60947-5-5
IEC 60947-5-4
UL 508
JIS C8201-1

Product Certifications UL Listed
CSA

Resistance to fast transients 2 kV IEC 61000-4-4

Resistance to electromagnetic fields 9.14 V/m (10 V/m) IEC 61000-4-3

Resistance to electrostatic discharge 6 kV on contact (on metal parts) IEC 61000-4-2
8 kV in free air (in insulating parts) IEC 61000-4-2

Electromagnetic emission Class B IEC 55011
24 V

Ordering and shipping details

Category 22469-PUSHBUTTON,22MM ACCESSORIES-NEW

Discount Schedule CS2

GTIN 3389110089615

Returnability Yes

Country of origin FR

Packing Units

Unit Type of Package 1 PCE

Number of Units in Package 1 1

Package 1 Height 0.39 in (1.000 cm)

Package 1 Width 1.30 in (3.300 cm)

Package 1 Length 1.57 in (4.000 cm)

Package 1 Weight 0.31 oz (8.800 g)

Unit Type of Package 2 BB1

Number of Units in Package 2 5

Package 2 Height 1.57 in (4.000 cm)

Package 2 Width 2.17 in (5.500 cm)

Package 2 Length 2.17 in (5.500 cm)

Package 2 Weight 1.76 oz (50.000 g)

Unit Type of Package 3 S03

Number of Units in Package 3	800
Package 3 Height	11.81 in (30.000 cm)
Package 3 Width	11.81 in (30.000 cm)
Package 3 Length	15.75 in (40.000 cm)
Package 3 Weight	18.76 lb(US) (8.510 kg)

Offer Sustainability

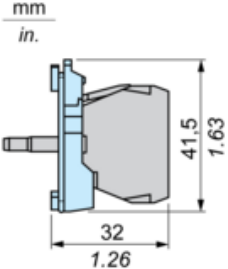
Sustainable offer status	Green Premium product
California proposition 65	WARNING: This product can expose you to chemicals including: Lead and lead compounds, which is known to the State of California to cause cancer and birth defects or other reproductive harm. For more information go to www.P65Warnings.ca.gov
REACH Regulation	REACH Declaration
EU RoHS Directive	Pro-active compliance (Product out of EU RoHS legal scope) EU RoHS Declaration
China RoHS Regulation	China RoHS declaration
RoHS exemption information	Yes
Environmental Disclosure	Product Environmental Profile
Circularity Profile	End of Life Information
WEEE	The product must be disposed on European Union markets following specific waste collection and never end up in rubbish bins.

Contractual warranty

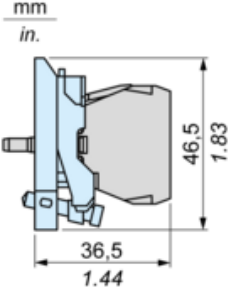
Warranty	18 months
-----------------	-----------

Dimensions

with ZB5AZ009 Fixing Collar



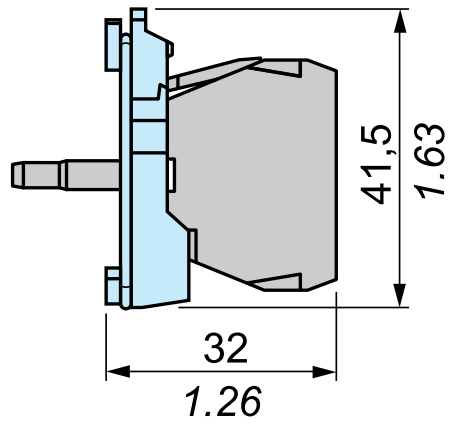
with ZB4BZ009 Fixing Collar



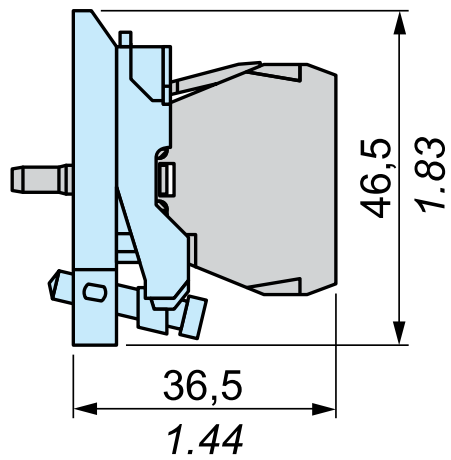
Dimensions

mm
in.

+ ZB5AZ009



+ ZB4BZ009



Recommended replacement(s)