

# Product data sheet

Specifications



Head for illuminated push button, Harmony XB6, red rectangular flush, 16mm, integral LED, spring return, 12...24V, unmarked

ZB6DW4

**Product availability : Stock - Normally stocked in distribution facility**

**Price\* : 14.40 USD**

## Main

|                               |                                  |
|-------------------------------|----------------------------------|
| Range of Product              | Harmony XB6                      |
| Product or Component Type     | Head for illuminated push-button |
| Product Compatibility         | Integral LED                     |
| Device short name             | ZB6                              |
| Bezel material                | Plastic                          |
| Mounting diameter             | 0.63 in (16 mm)                  |
| Sale per indivisible quantity | 1                                |
| Shape of signaling unit head  | Rectangular                      |
| Type of operator              | spring return                    |
| Operator profile              | Red flush, unmarked              |

## Complementary

|                    |                        |
|--------------------|------------------------|
| CAD overall width  | 0.94 in (24 mm)        |
| CAD overall height | 0.71 in (18 mm)        |
| CAD overall depth  | 1.30 in (33 mm)        |
| Net Weight         | 0.04 lb(US) (0.016 kg) |

## Environment

|                                       |   |
|---------------------------------------|---|
| Protective treatment                  | TC  |
| Ambient Air Temperature for Storage   | -40...158 °F (-40...70 °C)  |
| Ambient air temperature for operation | -13...158 °F (-25...70 °C)  |
| Electrical shock protection class     | Class II IEC 61140  |
| IP degree of protection               | IP65 IEC 60529  |
| NEMA degree of protection             | NEMA 13 UL 50<br>NEMA 4 UL 50<br>NEMA 4X UL 50<br>NEMA 4 CSA C22.2 No 94<br>NEMA 4X CSA C22.2 No 94 |

\* Price is "List Price" and may be subject to a trade discount – check with your local distributor or retailer for actual price.

|                               |  |
|-------------------------------|--|
| <b>Standards</b>              | EN/IEC 60947-5-5<br>JIS C8201-5-1<br>CSA C22.2 No 14<br>JIS C 852<br>UL 508<br>EN/IEC 60947-5-1<br>EN/IEC 60947-1<br>JIS C8201-1 |
| <b>Product Certifications</b> | CCC<br>GOST<br>CSA<br>UL   |
| <b>Vibration resistance</b>   | +/- 3 mm 2...500 Hz)IEC 60068-2-6<br>5 gn 2...500 Hz)IEC 60068-2-6   |
| <b>Shock resistance</b>       | 30 gn 18 ms) half sine wave acceleration IEC 60068-2-27<br>50 gn 11 ms) half sine wave acceleration IEC 60068-2-27               |

## Ordering and shipping details

|                          |                         |
|--------------------------|-------------------------|
| <b>Category</b>          | 22459-PUSHBUTTONS, 16MM |
| <b>Discount Schedule</b> | CS2                     |
| <b>GTIN</b>              | 3389110776034           |
| <b>Returnability</b>     | Yes                     |
| <b>Country of origin</b> | ES                      |

## Packing Units

|                                     |                    |
|-------------------------------------|--------------------|
| <b>Unit Type of Package 1</b>       | PCE                |
| <b>Number of Units in Package 1</b> | 1                  |
| <b>Package 1 Height</b>             | 1.06 in (2.7 cm)   |
| <b>Package 1 Width</b>              | 1.69 in (4.3 cm)   |
| <b>Package 1 Length</b>             | 3.27 in (8.3 cm)   |
| <b>Package 1 Weight</b>             | 0.35 oz (10.0 g)   |
| <b>Unit Type of Package 2</b>       | S01                |
| <b>Number of Units in Package 2</b> | 80                 |
| <b>Package 2 Height</b>             | 5.91 in (15.0 cm)  |
| <b>Package 2 Width</b>              | 5.91 in (15.0 cm)  |
| <b>Package 2 Length</b>             | 15.75 in (40.0 cm) |
| <b>Package 2 Weight</b>             | 29.63 oz (840.0 g) |

## Offer Sustainability

|                                   |   |
|-----------------------------------|---|
| <b>Sustainable offer status</b>   | Green Premium product   |
| <b>California proposition 65</b>  | WARNING: This product can expose you to chemicals including: Di-isodecyl phthalate (DIDP), which is known to the State of California to cause birth defects or other reproductive harm. For more information go to <a href="http://www.P65Warnings.ca.gov">www.P65Warnings.ca.gov</a> |
| <b>REACH Regulation</b>           | <a href="#">REACH Declaration</a>   |
| <b>REACH free of SVHC</b>         | Yes   |
| <b>EU RoHS Directive</b>          | Pro-active compliance (Product out of EU RoHS legal scope)<br><a href="#">EU RoHS Declaration</a>   |
| <b>Toxic heavy metal free</b>     | Yes   |
| <b>Mercury free</b>               | Yes   |
| <b>China RoHS Regulation</b>      | <a href="#">China RoHS declaration</a>  |
| <b>RoHS exemption information</b> | Yes   |

---

**Environmental Disclosure**      [Product Environmental Profile](#)

---

**Circularity Profile**      [End of Life Information](#)

---

**Contractual warranty**

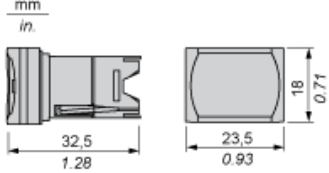
---

**Warranty**      18 months

**Rectangular Head for Illuminated or Non Illuminated Pushbutton**

---

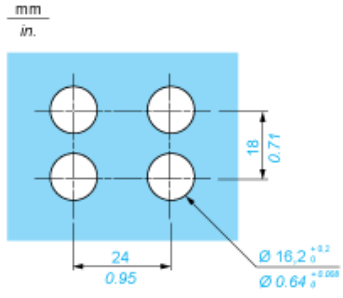
**Dimensions**



**Panel Cut-out**

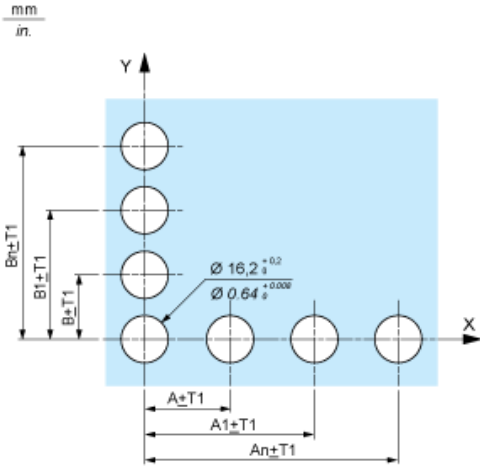
---

**For Rectangular Head**

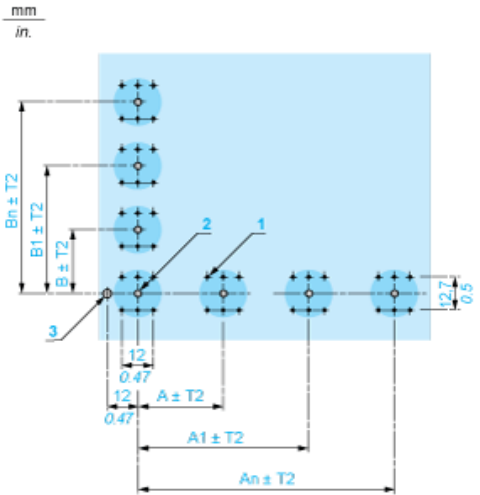


**Pushbuttons, Switches and Pilot Lights for Printed Circuit Board Connection**

**Front Panel Cut-out (Viewed from Installer's Side)**



**Printed Circuit Board Drillings (Viewed from Electrical Block Side)**



**A** 24 mm/0.94 in. minimum for rectangular heads, 18 mm/0.71 in. minimum for square or circular heads

**B** 18 mm/0.71 in. minimum

**(1)** 6 x  $\varnothing 1.1$  mm / 6 x  $\varnothing 0.04$  in. holes.

**(2)** 1 x  $\varnothing 2.6^{0}_{-0.2}$  mm / 1 x  $\varnothing 0.10^{0}_{-0.008}$  in. hole for locating pin, only when using socket adaptor ZB6Y010.

**(3)** 1 x  $\varnothing 3.2^{0}_{-0.2}$  mm / 1 x  $\varnothing 0.13^{0}_{-0.008}$  in. hole for fixing of printed circuit board onto the front panel using body bracket ZB6Y011. This hole must be

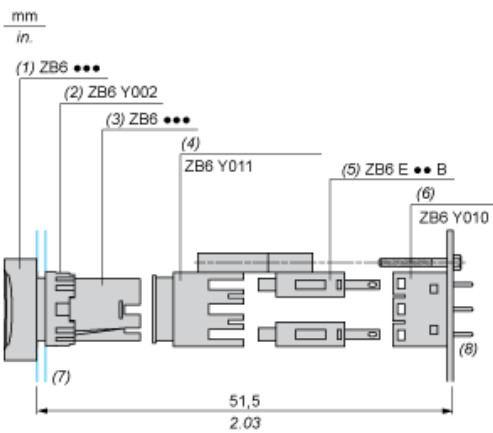
**General tolerances of the panel and printed circuit board:** T1, T2: T1 + T2 = 0.3 mm/0.01 in. maximum.

**Installation precautions:**

Thickness of printed circuit board: 1.6 mm/0.06 in. minimum.

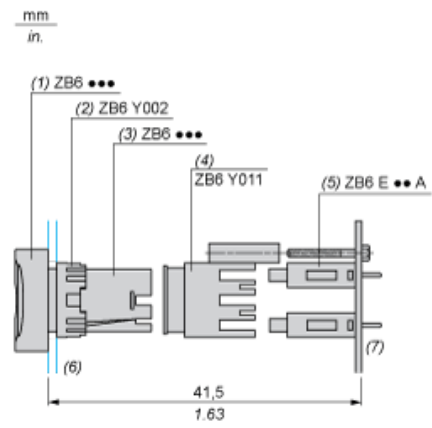
**Mounting with Body Bracket**

**With socket adaptor ZB6Y010**



- (1)** Head
- (2)** Nut
- (3)** Body
- (4)** Body bracket
- (5)** Contact block
- (6)** Socket adaptor
- (7)** Panel
- (8)** Printed circuit

## Direct mounting without socket adaptor ZB6Y010



- (1) Head
- (2) Nut
- (3) Body
- (4) Body bracket
- (5) Contact block
- (6) Panel
- (7) Printed circuit

## Recommended replacement(s)