

# Product data sheet

Specifications



Head for non illuminated pushbutton, Harmony XB5, plastic, red, mushroom 40mm, 22mm, spring return

ZB5AC4

**Product availability : Stock - Normally stocked in distribution facility**

**Price\* : 29.40 USD**

## Main

|                               |                                      |
|-------------------------------|--------------------------------------|
| Range of Product              | Harmony XB5                          |
| Product or Component Type     | Head for non-illuminated push-button |
| Device short name             | ZB5                                  |
| Bezel material                | Dark grey plastic                    |
| Head type                     | Standard                             |
| Mounting diameter             | 0.87 in (22 mm)                      |
| Sale per indivisible quantity | 1                                    |
| Shape of signaling unit head  | Round                                |
| Type of operator              | spring return                        |
| Operator profile              | Red mushroom Ø 40 mm, unmarked       |
| Device presentation           | Basic element                        |

## Complementary

|                             |  |
|-----------------------------|--|
| CAD overall width           | 1.57 in (40 mm)  |
| CAD overall height          | 1.57 in (40 mm)  |
| CAD overall depth           | 2.05 in (52 mm)  |
| Net Weight                  | 0.10 lb(US) (0.046 kg)   |
| Mechanical durability       | 5000000 cycles   |
| Station name                | XALD 1 cut-out<br>XALK 1 cut-out   |
| Electrical composition code | C1 9 single front mounting<br>C2 9 single and double front mounting<br>C11 3 single front mounting<br>C15 1 single front mounting<br>SF1 3 single front mounting<br>SR1 3 single rear mounting |
| Compatibility code          | ZB5  |

## Environment

|                      |    |
|----------------------|----|
| Protective treatment | TH |
|----------------------|----|

\* Price is "List Price" and may be subject to a trade discount – check with your local distributor or retailer for actual price.

|  |  |
|--|--|
| <b>Ambient Air Temperature for Storage</b>   | -40...158 °F (-40...70 °C)   |
| <b>Ambient air temperature for operation</b> | -40...158 °F (-40...70 °C)   |
| <b>Overvoltage category</b>                  | Class II IEC 60536   |
| <b>IP degree of protection</b>               | IP66 IEC 60529<br>IP69<br>IP69K  |
| <b>NEMA degree of protection</b>             | NEMA 13<br>NEMA 4X   |
| <b>Resistance to high pressure washer</b>    | 1015.26 psi (7000000 Pa) 131 °F (55 °C) 0.1 m  |
| <b>IK degree of protection</b>               | IK03 IEC 50102   |
| <b>Standards</b>                             | CSA C22.2 No 14<br>IEC 60947-5-4<br>JIS C8201-5-1<br>UL 508<br>IEC 60947-1<br>IEC 60947-5-1<br>JIS C8201-1         |
| <b>Product Certifications</b>                | UL Listed<br>LROS (Lloyds register of shipping)<br>BV<br>GL<br>CSA<br>DNV  |
| <b>Vibration resistance</b>                  | 5 gn 2...500 Hz)IEC 60068-2-6  |
| <b>Shock resistance</b>                      | 30 gn 18 ms) half sine wave acceleration IEC 60068-2-27<br>50 gn 11 ms) half sine wave acceleration IEC 60068-2-27 |

## Ordering and shipping details

|                          |                                     |
|--------------------------|-------------------------------------|
| <b>Category</b>          | 22467-PUSHBUTTONS,22MM(PLASTIC) NEW |
| <b>Discount Schedule</b> | CS2                                 |
| <b>GTIN</b>              | 3389110904901                       |
| <b>Returnability</b>     | Yes                                 |
| <b>Country of origin</b> | CZ                                  |

## Packing Units

|                                     |                        |
|-------------------------------------|------------------------|
| <b>Unit Type of Package 1</b>       | PCE                    |
| <b>Number of Units in Package 1</b> | 1                      |
| <b>Package 1 Height</b>             | 3.46 in (8.8 cm)       |
| <b>Package 1 Width</b>              | 1.73 in (4.4 cm)       |
| <b>Package 1 Length</b>             | 2.13 in (5.4 cm)       |
| <b>Package 1 Weight</b>             | 1.69 oz (48.0 g)       |
| <b>Unit Type of Package 2</b>       | S02                    |
| <b>Number of Units in Package 2</b> | 42                     |
| <b>Package 2 Height</b>             | 5.91 in (15.0 cm)      |
| <b>Package 2 Width</b>              | 11.81 in (30.0 cm)     |
| <b>Package 2 Length</b>             | 15.75 in (40.0 cm)     |
| <b>Package 2 Weight</b>             | 5.15 lb(US) (2.337 kg) |

## Offer Sustainability

|                                 |                       |
|---------------------------------|-----------------------|
| <b>Sustainable offer status</b> | Green Premium product |
|---------------------------------|-----------------------|

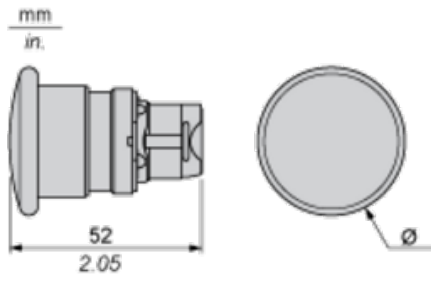
|                                   |  |
|-----------------------------------|--|
| <b>California proposition 65</b>  | WARNING: This product can expose you to chemicals including: Diisodecyl phthalate (DIDP), which is known to the State of California to cause birth defects or other reproductive harm. For more information go to <a href="http://www.P65Warnings.ca.gov">www.P65Warnings.ca.gov</a> |
| <b>REACH Regulation</b>           | <a href="#">REACH Declaration</a>  |
| <b>REACH free of SVHC</b>         | Yes  |
| <b>EU RoHS Directive</b>          | Pro-active compliance (Product out of EU RoHS legal scope)<br><a href="#">EU RoHS Declaration</a>  |
| <b>Toxic heavy metal free</b>     | Yes  |
| <b>Mercury free</b>               | Yes  |
| <b>China RoHS Regulation</b>      | <a href="#">China RoHS declaration</a>   |
| <b>RoHS exemption information</b> | <a href="#">Yes</a>  |
| <b>Environmental Disclosure</b>   | <a href="#">Product Environmental Profile</a>  |
| <b>Circularity Profile</b>        | <a href="#">End of Life Information</a>  |

## Contractual warranty

|                 |           |
|-----------------|-----------|
| <b>Warranty</b> | 18 months |
|-----------------|-----------|

## Dimensions

---



|        | Ø in mm | Ø in in. |
|--------|---------|----------|
| ZB5AC• | 40      | 1.57     |
| ZB5AR• | 60      | 2.36     |

**Panel Cut-out for Pushbuttons, Switches and Pilot Lights (Finished Holes, Ready for Installation)**

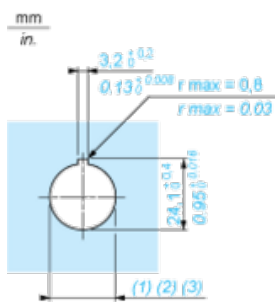
**Connection by Screw Clamp Terminals or Plug-in Connectors or on Printed Circuit Board**



- (1) Diameter on finished panel or support
- (2) For selector switches and Emergency stop buttons, use of an anti-rotation plate type ZB5AZ902 is recommended.
- (3)  $\varnothing 22.5$  mm recommended ( $\varnothing 22.3 \text{ }_0^{+0.4}$ ) /  $\varnothing 0.89$  in. recommended ( $\varnothing 0.88 \text{ in. }_0^{+0.016}$ )

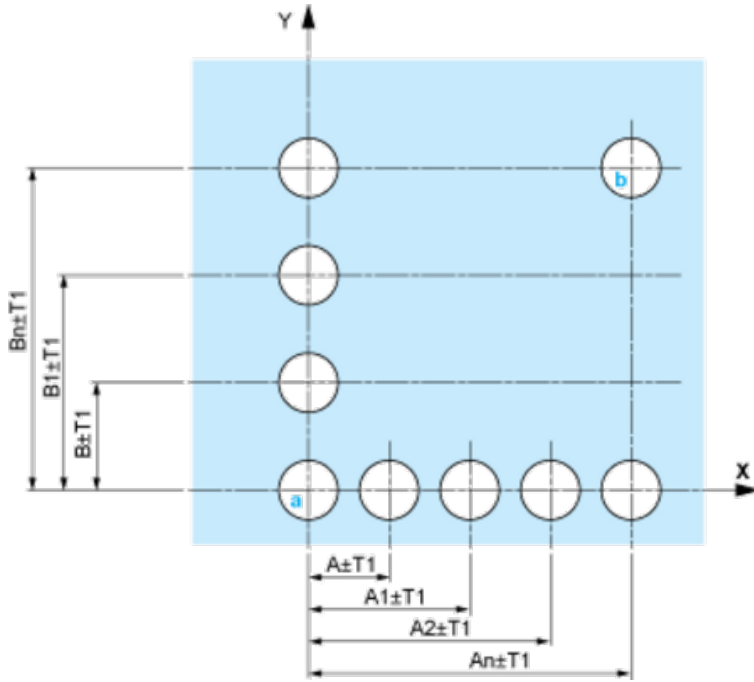
| Connections                                   | a in mm | a in in. | b in mm | b in in. |
|---|---------|----------|---------|----------|
| By screw clamp terminals or plug-in connector | 40      | 1.57     | 30      | 1.18     |
| By Faston connectors                          | 45      | 1.77     | 32      | 1.26     |
| On printed circuit board                      | 30      | 1.18     | 30      | 1.18     |

**Detail of Lug Recess**



- (1) Diameter on finished panel or support
- (2) For selector switches and Emergency stop buttons, use of an anti-rotation plate type ZB5AZ902 is recommended.
- (3)  $\varnothing 22.5$  mm recommended ( $\varnothing 22.3 \text{ }_0^{+0.4}$ ) /  $\varnothing 0.89$  in. recommended ( $\varnothing 0.88 \text{ in. }_0^{+0.016}$ )

Panel Cut-outs (Viewed from Installer's Side)

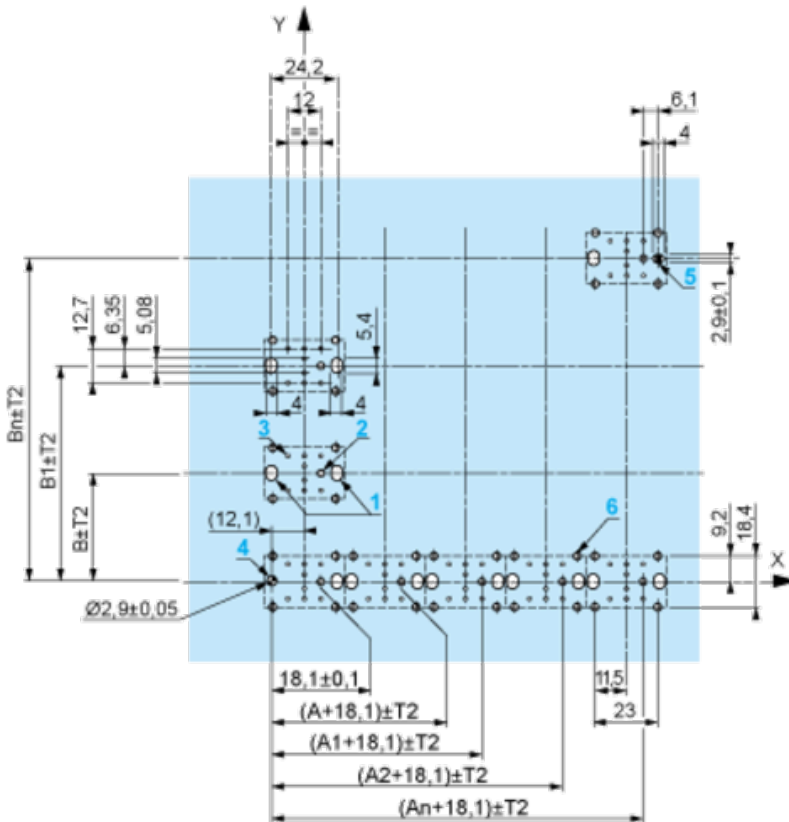


A: 30 mm min. / 1.18 in. min.

B: 40 mm min. / 1.57 in. min.

Printed Circuit Board Cut-outs (Viewed from Electrical Block Side)

Dimensions in mm



A: 30 mm min.

B: 40 mm min.

Dimensions in in.



## Mounting of Adapter (Socket) ZBZ01•

- 1 2 elongated holes for ZBZ006 screw access
- 2 1 hole  $\varnothing$  2.4 mm  $\pm$  0.05 / 0.09 in.  $\pm$  0.002 for centring adapter ZBZ01•
- 3 8  $\times$   $\varnothing$  1.2 mm / 0.05 in. holes
- 4 1 hole  $\varnothing$  2.9 mm  $\pm$  0.05 / 0.11 in.  $\pm$  0.002, for aligning the printed circuit board (with cut-out marked **a**)
- 5 1 elongated hole for aligning the printed circuit board (with cut-out marked **b**)
- 6 4 holes  $\varnothing$  2.4 mm / 0.09 in. for clipping in adapter ZBZ01•

Dimensions An + 18.1 relate to the  $\varnothing$  2.4 mm  $\pm$  0.05 / 0.09 in.  $\pm$  0.002 holes for centring adapter ZBZ01•.



**Electrical Composition Corresponding to Code C1**

---



**Electrical Composition Corresponding to Code C2**

---



**Electrical Composition Corresponding to Codes C9, C11, SF1 and SR1**

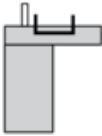
---



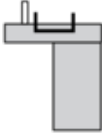
**Electrical Composition Corresponding to Code C15**

---

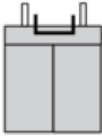
1 N/O



1 N/C



1 N/O + N/C or 1 N/O + N/O or 1 N/C + N/C



**Legend**

---

Single contact



Double contact



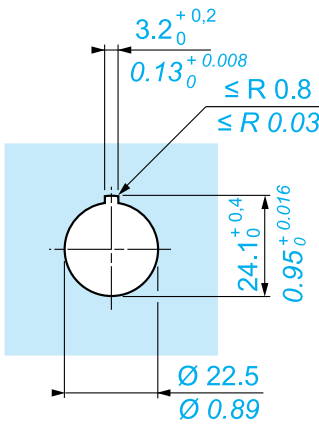
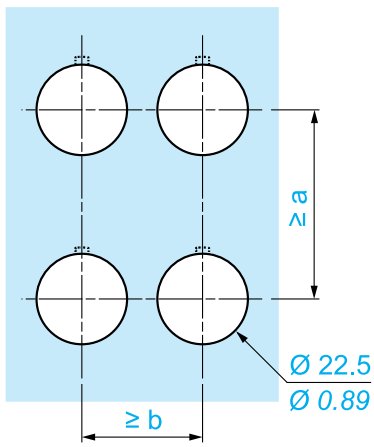
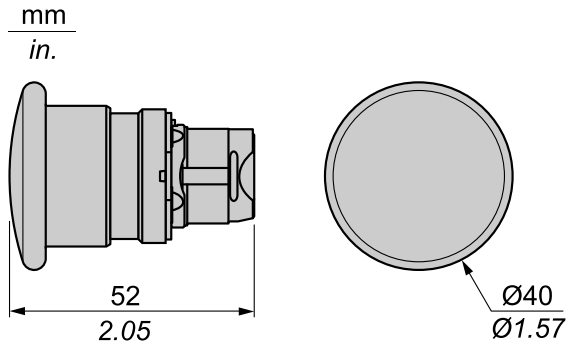
Light block



Possible location



**Dimensions**



|           |           | a (mm) | a (in.) | b (mm) | b (in.) |
|-----------|-----------|--------|---------|--------|---------|
|           |           | 40     | 1.57    | 30     | 1.18    |
| ZBE●●●●●  | ZBV●●●●●  |        |         |        |         |
|           |           | 45     | 1.77    | 32     | 1.26    |
| ZBE●●●●●3 | ZBV●●●●●3 |        |         |        |         |
|           |           | 40     | 1.57    | 30     | 1.18    |
| ZBE●●●●●4 | ZBV●●●●●4 |        |         |        |         |
|           |           | 50     | 1.97    | 30     | 1.18    |
| ZBE●●●●●5 | ZBV●●●●●5 |        |         |        |         |
|           |           | 40     | 1.57    | 30     | 1.18    |
| ZBE●●●●●9 | ZBV●●●●●9 |        |         |        |         |
|           |           | 40     | 1.57    | 30     | 1.18    |
| ZBRT●     | ZBRV1     |        |         |        |         |

**Recommended replacement(s)**