

Product data sheet

Specifications



Harmony, 22mm Push Button, illuminated pushbutton head, flush, spring return, green, for BA9s bulb

ZB4BW33

Product availability : Stock - Normally stocked in distribution facility

Price* : 18.60 USD

Main

| | |
|---------------------------------|----------------------------------|
| Range of Product | Harmony XB4 |
| Product or Component Type | Head for illuminated push-button |
| Device short name | ZB4 |
| Product Compatibility | BA 9s |
| Bezel material | Chromium plated metal |
| Head type | Standard |
| Mounting diameter | 0.87 in (22 mm) |
| Sale per indivisible quantity | 1 |
| Shape of signaling unit head | Round |
| Type of operator | spring return |
| Operator profile | Green flush, unmarked |
| Operator additional information | With plain lens |

Complementary

| | |
|------------------------------------|---|
| CAD overall width | 1.14 in (29 mm) |
| CAD overall height | 1.14 in (29 mm) |
| CAD overall depth | 1.26 in (32 mm) |
| Net Weight | 0.06 lb(US) (0.027 kg) |
| Resistance to high pressure washer | 1015.26 psi (7000000 Pa) 131 °F (55 °C) 0.1 m |
| Mechanical durability | 10000000 cycles |
| Electrical composition code | M7 6 single front mounting BA 9s M8 6 single and double front mounting BA 9s M9 2 single front mounting BA 9s and transformer |
| Device presentation | Basic sub-assemblies |

Environment

| | |
|-------------------------------------|----------------------------|
| Protective treatment | TH |
| Ambient Air Temperature for Storage | -40...158 °F (-40...70 °C) |

* Price is "List Price" and may be subject to a trade discount – check with your local distributor or retailer for actual price.

| | |
|--|---|
| Ambient Air Temperature for Operation | -40...131 °F (-40...55 °C) |
| Overvoltage category | Class I IEC 60536 |
| IP degree of protection | IP66 IEC 60529 IP67 IP69 IP69K |
| NEMA degree of protection | NEMA 13 NEMA 4X |
| IK degree of protection | IK06 IEC 62262 |
| Standards | UL 508 IEC 60947-1 JIS C8201-5-1 IEC 60947-5-5 CSA C22.2 No 14 IEC 60947-5-1 IEC 60947-5-4 JIS C8201-1 |
| Product Certifications | BV CSA UL Listed GL LROS (Lloyds register of shipping) DNV |
| Vibration resistance | 5 gn 2...500 Hz)IEC 60068-2-6 |
| Shock resistance | 30 gn 18 ms) half sine wave acceleration IEC 60068-2-27 50 gn 11 ms) half sine wave acceleration IEC 60068-2-27 |

Ordering and shipping details

| | |
|--------------------------|-----------------------------------|
| Category | 22468-PUSHBUTTONS,22MM(METAL) NEW |
| Discount Schedule | CS2 |
| GTIN | 3389110889703 |
| Returnability | Yes |
| Country of origin | CZ |

Packing Units

| | |
|-------------------------------------|----------------------|
| Unit Type of Package 1 | PCE |
| Number of Units in Package 1 | 1 |
| Package 1 Height | 2.20 in (5.6 cm) |
| Package 1 Width | 1.34 in (3.4 cm) |
| Package 1 Length | 1.77 in (4.5 cm) |
| Package 1 Weight | 0.99 oz (28 g) |
| Unit Type of Package 2 | S01 |
| Number of Units in Package 2 | 50 |
| Package 2 Height | 5.91 in (15 cm) |
| Package 2 Width | 5.91 in (15 cm) |
| Package 2 Length | 15.75 in (40 cm) |
| Package 2 Weight | 3.53 lb(US) (1.6 kg) |
| Unit Type of Package 3 | P06 |
| Number of Units in Package 3 | 1600 |
| Package 3 Height | 30.31 in (77 cm) |
| Package 3 Width | 31.50 in (80 cm) |
| Package 3 Length | 23.62 in (60 cm) |

| | |
|------------------|-------------------------|
| Package 3 Weight | 131.62 lb(US) (59.7 kg) |
|------------------|-------------------------|

Offer Sustainability

| | |
|--------------------------|-----------------------|
| Sustainable offer status | Green Premium product |
|--------------------------|-----------------------|

| | |
|------------------|-----------------------------------|
| REACH Regulation | REACH Declaration |
|------------------|-----------------------------------|

| | |
|--------------------|-----|
| REACH free of SVHC | Yes |
|--------------------|-----|

| | |
|-------------------|---|
| EU RoHS Directive | Pro-active compliance (Product out of EU RoHS legal scope) EU RoHS Declaration |
|-------------------|---|

| | |
|------------------------|-----|
| Toxic heavy metal free | Yes |
|------------------------|-----|

| | |
|--------------|-----|
| Mercury free | Yes |
|--------------|-----|

| | |
|-----------------------|--|
| China RoHS Regulation | China RoHS declaration |
|-----------------------|--|

| | |
|----------------------------|-----|
| RoHS exemption information | Yes |
|----------------------------|-----|

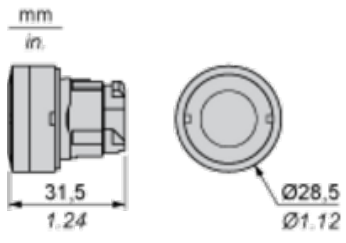
| | |
|--------------------------|---|
| Environmental Disclosure | Product Environmental Profile |
|--------------------------|---|

| | |
|---------------------|---|
| Circularity Profile | End of Life Information |
|---------------------|---|

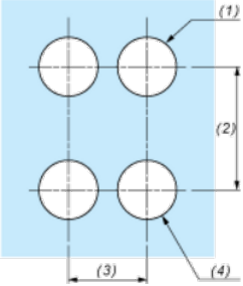
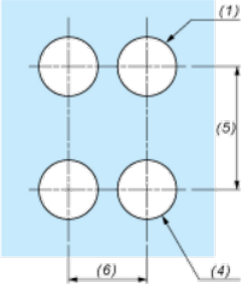
Contractual warranty

| | |
|----------|-----------|
| Warranty | 18 months |
|----------|-----------|

Dimensions

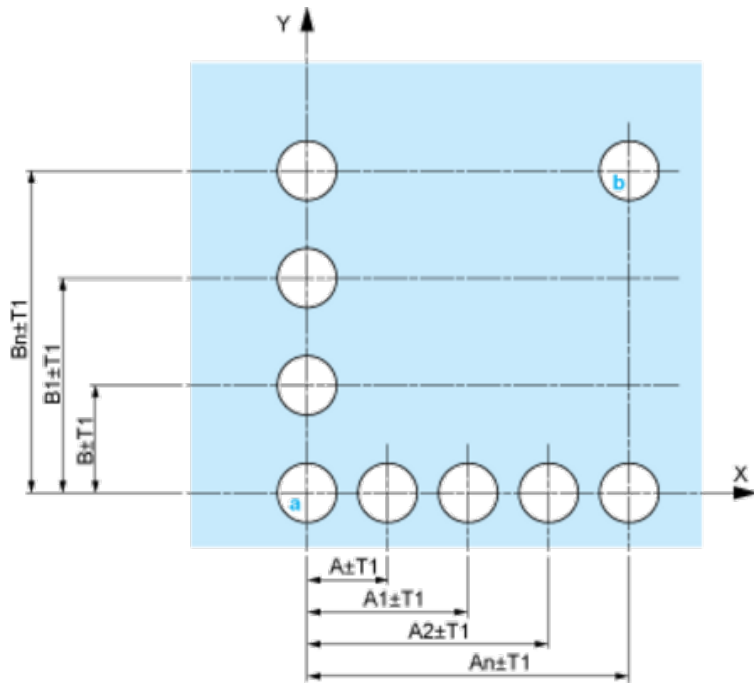


Panel Cut-out for Pushbuttons, Switches and Pilot Lights (Finished Holes, Ready for Installation)

| Connection by Screw Clamp Terminals or Plug-in Connectors or on Printed Circuit Board | Connection by Faston Connectors |
|---|--|
|  |  |
| <p>(1) Diameter on finished panel or support (2) 40 mm min. / 1.57 in. min. (3) 30 mm min. / 1.18 in. min. (4) $\text{Ø } 22.5 \text{ mm} / 0.89 \text{ in. recommended } (\text{Ø } 22.3 \text{ mm } ^{+0.4} / 0.88 \text{ in. } ^{+0.016})$ (5) 45 mm min. / 1.78 in. min. (6) 32 mm min. / 1.26 in. min.</p> | |

Pushbuttons, Switches and Pilot Lights for Printed Circuit Board Connection

Panel Cut-outs (Viewed from Installer's Side)

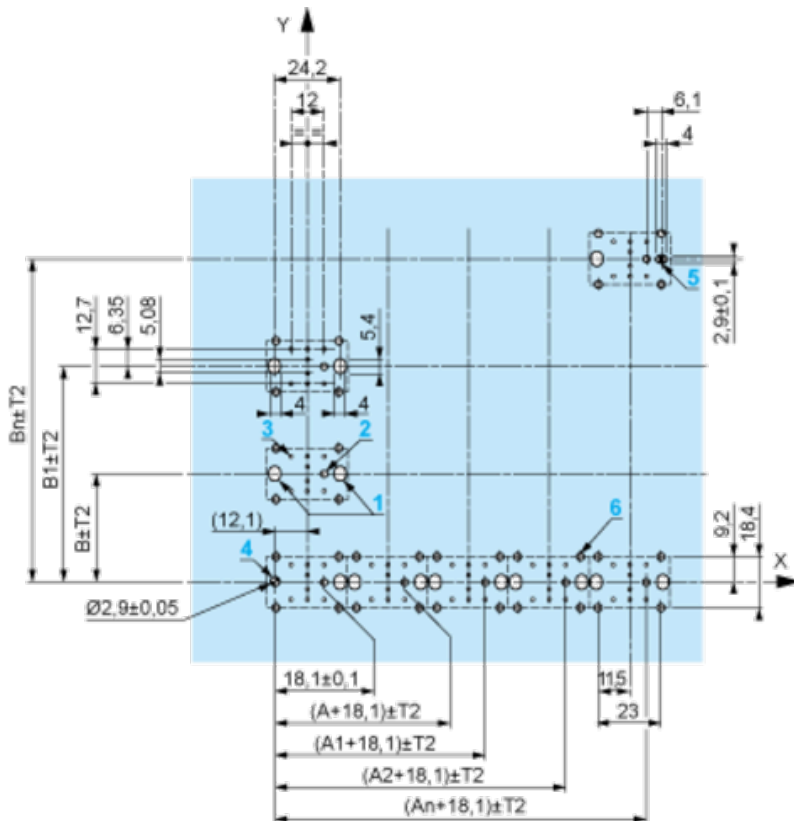


A: 30 mm min. / 1.18 in. min.

B: 40 mm min. / 1.57 in. min.

Printed Circuit Board Cut-outs (Viewed from Electrical Block Side)

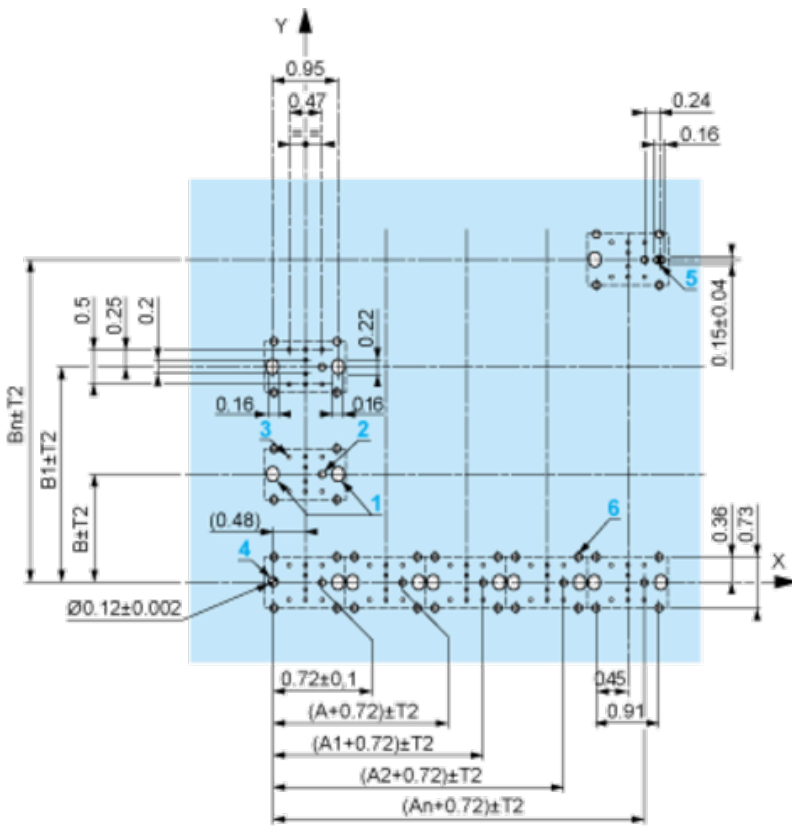
Dimensions in mm



A: 30 mm min.

B: 40 mm min.

Dimensions in in.



A: 1.18 in. min.

B: 1.57 in. min.

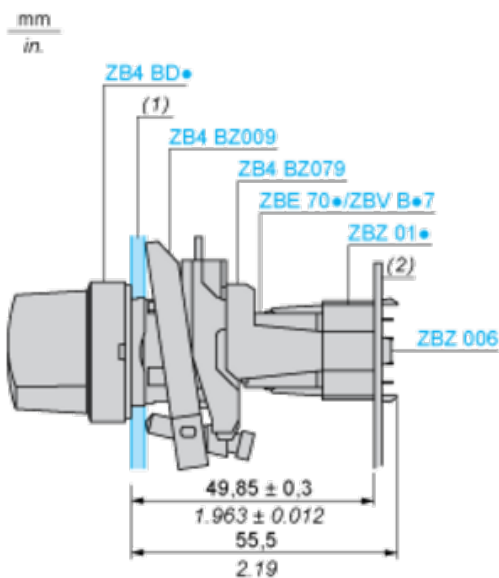
General Tolerances of the Panel and Printed Circuit Board

The cumulative tolerance must not exceed 0.3 mm / 0.012 in: $T1 + T2 = 0.3 \text{ mm max.}$

Installation Precautions

- Minimum thickness of circuit board: 1.6 mm / 0.06 in.
- Cut-out diameter: 22.4 mm \pm 0.1 / 0.88 in. \pm 0.004
- Orientation of body/fixing collar ZB4 BZ009: $\pm 2^\circ 30'$ (excluding cut-outs marked a and b).
- Tightening torque of screws ZBZ 006: 0.6 N.m (5.3 lbf.in) max.
- Allow for one ZB4 BZ079 fixing collar/pillar and its fixing screws:
 - every 90 mm / 3.54 in. horizontally (X), and 120 mm / 4.72 in. vertically (Y).
 - with each selector switch head (ZB4 BD•, ZB4 BJ•, ZB4 BG•).

The fixing centers marked a and b are diagonally opposed and must align with those marked 4 and 5.



(1) Panel

(2) Printed circuit board

Mounting of Adapter (Socket) ZBZ 01•

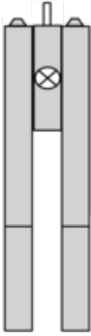
- 1 2 elongated holes for ZBZ 006 screw access
- 2 1 hole \varnothing 2.4 mm \pm 0.05 / 0.09 in. \pm 0.002 for centring adapter ZBZ 01•
- 3 8 \times \varnothing 1.2 mm / 0.05 in. holes
- 4 1 hole \varnothing 2.9 mm \pm 0.05 / 0.11 in. \pm 0.002, for aligning the printed circuit board (with cut-out marked a)
- 5 1 elongated hole for aligning the printed circuit board (with cut-out marked b)
- 6 4 holes \varnothing 2.4 mm / 0.09 in. for clipping in adapter ZBZ 01•

Dimensions An + 18.1 relate to the $\varnothing 2.4 \text{ mm} \pm 0.05 / 0.09 \text{ in.} \pm 0.002$ holes for centring adapter ZBZ 01•.

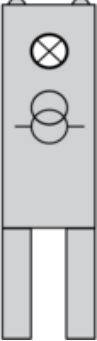
Electrical Composition Corresponding to Codes M1 and M7



Electrical Composition Corresponding to Codes M2 and M8



Electrical Composition Corresponding to Code M9



Legend

Single contact



Double contact



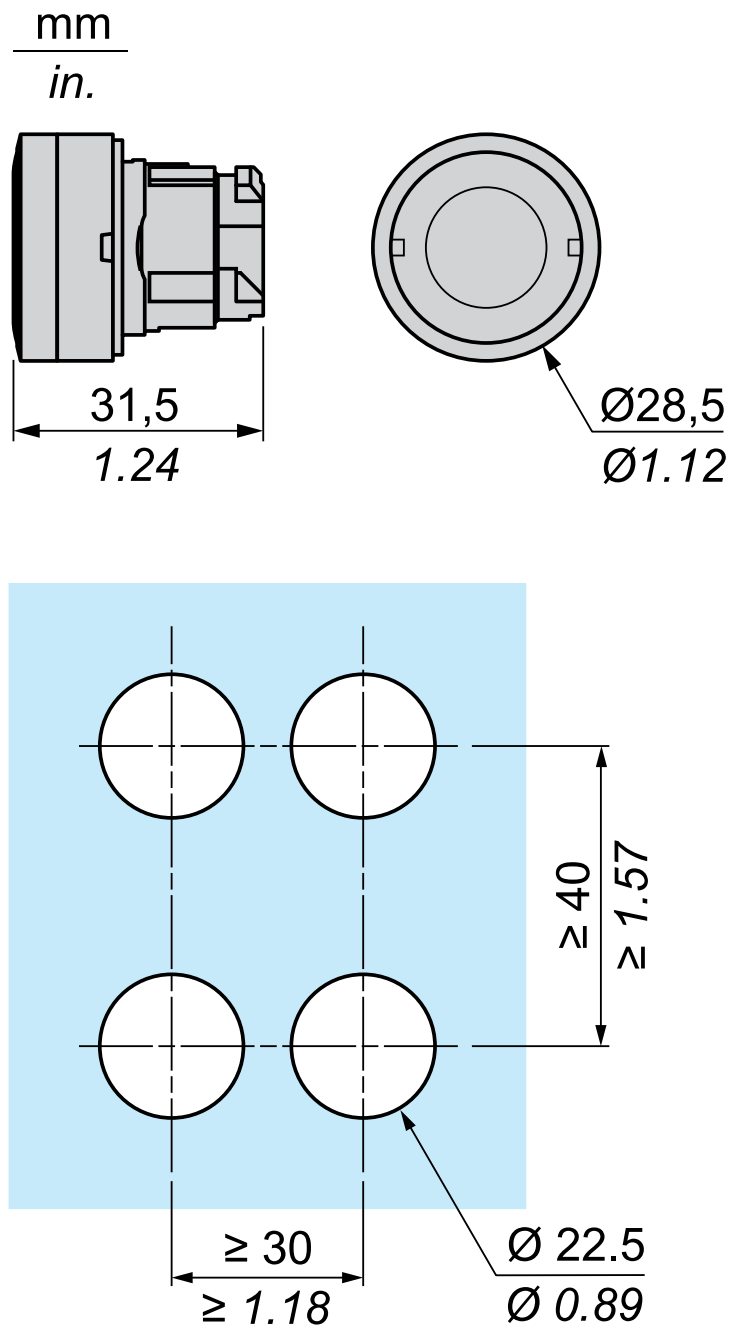
Light block



Possible location



Dimensions



Recommended replacement(s)