

Product data sheet

Specifications



Harmony, 22mm Push Button, pilot light head, red, with plain lens, for BA9s bulb

ZB4BV04

Product availability : Stock - Normally stocked in distribution facility

Price* : 7.60 USD

Main

Range of Product	Harmony XB4
Product or Component Type	Head for pilot light
Product Compatibility	BA 9s
Device short name	ZB4
Bezel material	Chromium plated metal
Mounting diameter	0.87 in (22 mm)
Sale per indivisible quantity	1
Head type	Standard
Shape of signaling unit head	Round
Cap/Operator or lens colour	Red
Operator additional information	With plain lens

Complementary

CAD overall width	1.14 in (29 mm)
CAD overall height	1.14 in (29 mm)
CAD overall depth	1.22 in (31 mm)
Net Weight	0.06 lb(US) (0.027 kg)
Resistance to high pressure washer	1015.26 psi (7000000 Pa) 131 °F (55 °C) 0.1 m
Electrical composition code	P3 front mounting BA 9s P4 front mounting BA 9s and transformer
Device presentation	Basic element

Environment

Protective treatment	TH
Ambient Air Temperature for Storage	-40...158 °F (-40...70 °C)
Ambient Air Temperature for Operation	-40...131 °F (-40...55 °C)
Overvoltage category	Class I IEC 60536
IP degree of protection	IP66 IEC 60529

* Price is "List Price" and may be subject to a trade discount – check with your local distributor or retailer for actual price.

IP67
IP69
IP69K

NEMA degree of protection NEMA 13
NEMA 4X

IK degree of protection IK06 IEC 50102

Standards JIS C8201-5-1
IEC 60947-5-1
IEC 60947-1
UL 508
IEC 60947-5-5
IEC 60947-5-4
JIS C8201-1

Vibration resistance 5 gn 2...500 Hz)IEC 60068-2-6

Shock resistance 30 gn 18 ms) half sine wave acceleration IEC 60068-2-27
50 gn 11 ms) half sine wave acceleration IEC 60068-2-27

Ordering and shipping details

Category 22468-PUSHBUTTONS,22MM(METAL) NEW

Discount Schedule CS2

GTIN 3389110889512

Returnability Yes

Country of origin FR

Packing Units

Unit Type of Package 1 PCE

Number of Units in Package 1 1

Package 1 Height 1.73 in (4.4 cm)

Package 1 Width 1.34 in (3.4 cm)

Package 1 Length 2.13 in (5.4 cm)

Package 1 Weight 0.85 oz (24.0 g)

Unit Type of Package 2 S03

Number of Units in Package 2 300

Package 2 Height 11.81 in (30 cm)

Package 2 Width 11.81 in (30 cm)

Package 2 Length 15.75 in (40 cm)

Package 2 Weight 16.62 lb(US) (7.539 kg)

Offer Sustainability

Sustainable offer status Green Premium product

REACH Regulation [REACH Declaration](#)

REACH free of SVHC Yes

EU RoHS Directive Pro-active compliance (Product out of EU RoHS legal scope)
[EU RoHS Declaration](#)

Toxic heavy metal free Yes

Mercury free Yes

China RoHS Regulation [China RoHS declaration](#)

RoHS exemption information [Yes](#)

Environmental Disclosure [Product Environmental Profile](#)

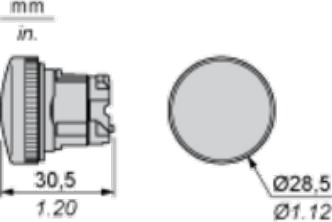
Circularity Profile [End of Life Information](#)

Contractual warranty

Warranty

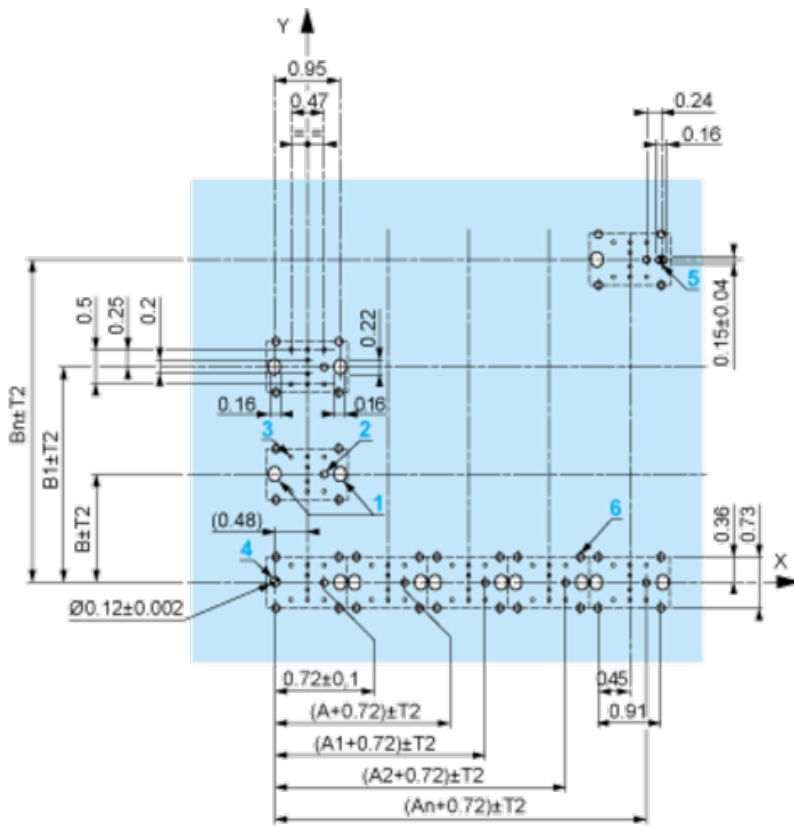
18 months

Dimensions



Panel Cut-out for Pushbuttons, Switches and Pilot Lights (Finished Holes, Ready for Installation)

Connection by Screw Clamp Terminals or Plug-in Connectors or on Printed Circuit Board	Connection by Faston Connectors
<p>(1) Diameter on finished panel or support (2) 40 mm min. / 1.57 in. min. (3) 30 mm min. / 1.18 in. min. (4) Ø 22.5 mm / 0.89 in. recommended (Ø 22.3 mm ^{+0.4} / 0.88 in. ^{+0.016}) (5) 45 mm min. / 1.78 in. min. (6) 32 mm min. / 1.26 in. min.</p>	



A: 1.18 in. min.

B: 1.57 in. min.

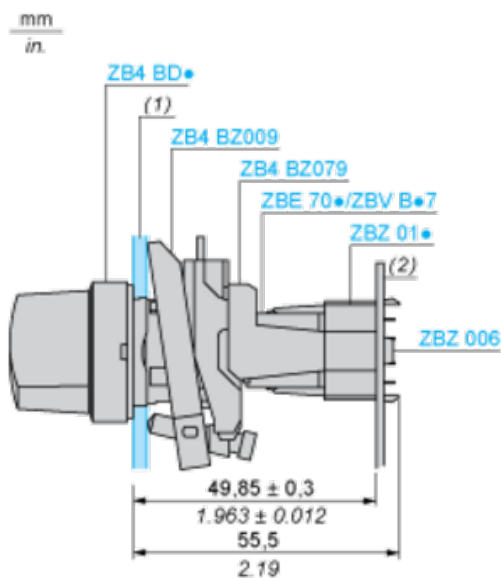
General Tolerances of the Panel and Printed Circuit Board

The cumulative tolerance must not exceed 0.3 mm / 0.012 in: $T1 + T2 = 0.3 \text{ mm max.}$

Installation Precautions

- Minimum thickness of circuit board: 1.6 mm / 0.06 in.
- Cut-out diameter: 22.4 mm \pm 0.1 / 0.88 in. \pm 0.004
- Orientation of body/fixing collar ZB4 BZ009: $\pm 2^\circ 30'$ (excluding cut-outs marked a and b).
- Tightening torque of screws ZBZ 006: 0.6 N.m (5.3 lbf.in) max.
- Allow for one ZB4 BZ079 fixing collar/pillar and its fixing screws:
 - every 90 mm / 3.54 in. horizontally (X), and 120 mm / 4.72 in. vertically (Y).
 - with each selector switch head (ZB4 BD•, ZB4 BJ•, ZB4 BG•).

The fixing centers marked a and b are diagonally opposed and must align with those marked 4 and 5.



(1) Panel

(2) Printed circuit board

Mounting of Adapter (Socket) ZBZ 01•

- 1 2 elongated holes for ZBZ 006 screw access
- 2 1 hole \varnothing 2.4 mm \pm 0.05 / 0.09 in. \pm 0.002 for centring adapter ZBZ 01•
- 3 8 \times \varnothing 1.2 mm / 0.05 in. holes
- 4 1 hole \varnothing 2.9 mm \pm 0.05 / 0.11 in. \pm 0.002, for aligning the printed circuit board (with cut-out marked a)
- 5 1 elongated hole for aligning the printed circuit board (with cut-out marked b)
- 6 4 holes \varnothing 2.4 mm / 0.09 in. for clipping in adapter ZBZ 01•

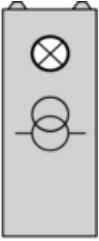
Dimensions An + 18.1 relate to the $\varnothing 2.4 \text{ mm} \pm 0.05 / 0.09 \text{ in.} \pm 0.002$ holes for centring adapter ZBZ 01•.

Electrical Composition Corresponding to Codes P1, P3, PF1, PR1 and PF2

Light block



Electrical Composition Corresponding to Code P4



Legend

Single contact



Double contact



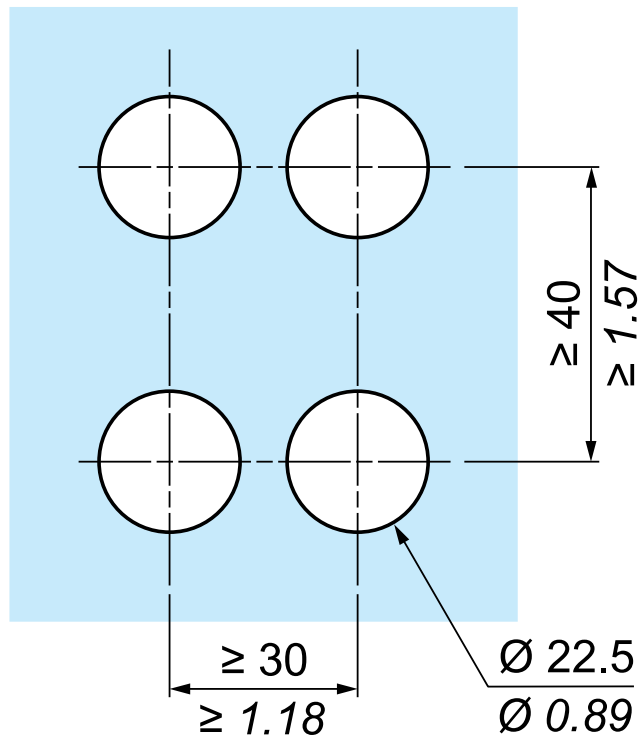
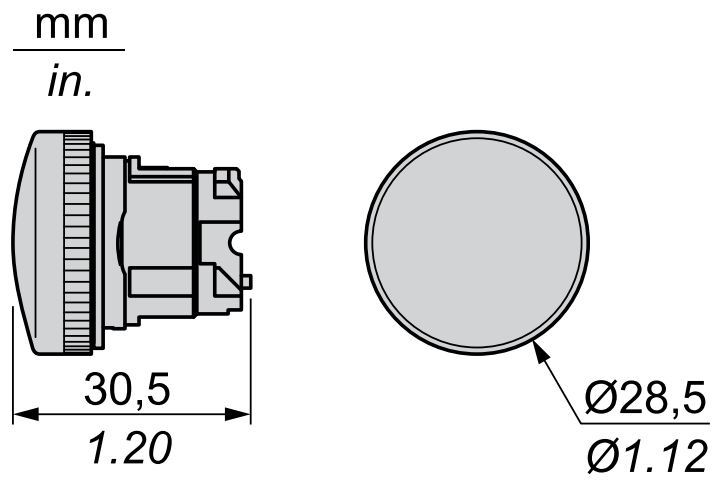
Light block



Possible location



Dimensions



Recommended replacement(s)