

Product data sheet

Specifications



Display module, Harmony XB5,
Digital panel meter, plastic, black,
22mm, 4 digit green LED display,
4...20mA input

XBH1AA0G4

Product availability : Stock - Normally stocked in distribution facility

Price* : 60.00 USD

Main

Range of Product	Harmony XB5
Product or Component Type	Display module
Display digits	4 - 0.55 in (14 mm)

Complementary

Display Type	7 segments LED
Display colour	Green
Display projection	-999...9999
Accuracy	+/- 0.15 % of the measuring range + 1 digit
Solid state output type	2 x power MOSFET
Discrete output voltage	30 V DC
Discrete output current	0.5 A
Brightness	Fixed
Analogue input range	4...20 mA DC
Maximum voltage drop	6 V
Temperature Drift	50 ppm/°C
Mounting diameter	0.89 in (22.5 mm)
Connections - terminals	Spring terminals, 1 x 0.2...1 mm ² AWG 24...AWG 17)
Housing material	Plastic
Flame retardance	UL94-V1
Tightening torque	1.3 N.m +/- 0.2 N.m 11.5 lb.in +/- 1.8 lb.in
Width	2.03 in (51.5 mm)
Height	1.16 in (29.5 mm)
Depth	3.08 in (78.2 mm)
Net Weight	0.07 lb(US) (0.032 kg)

* Price is "List Price" and may be subject to a trade discount – check with your local distributor or retailer for actual price.

Environment

Ambient air temperature for operation	-4...140 °F (-20...60 °C)
Ambient Air Temperature for Storage	-4...185 °F (-20...85 °C)
Vibration resistance	5 gn 2...500 Hz)IEC 60068-2-6
IP degree of protection	IP65 IEC 60529 front panel)
Standards	IEC 61326-1

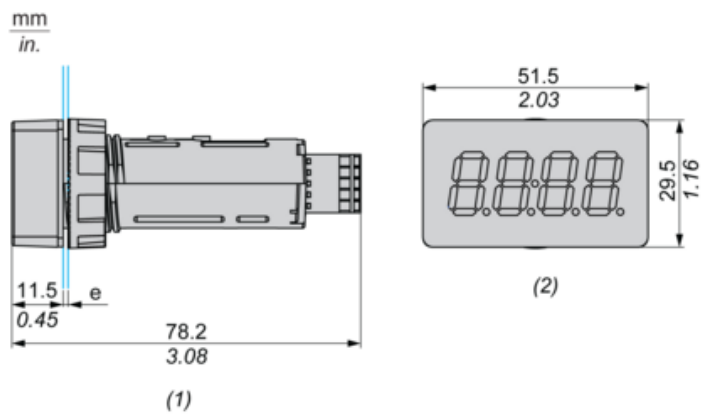
Ordering and shipping details

Category	22467-PUSHBUTTONS,22MM(PLASTIC) NEW
Discount Schedule	CS2
GTIN	3606489737214
Returnability	Yes
Country of origin	FR

Packing Units

Unit Type of Package 1	PCE
Number of Units in Package 1	1
Package 1 Height	1.54 in (3.9 cm)
Package 1 Width	3.27 in (8.3 cm)
Package 1 Length	5.08 in (12.9 cm)
Package 1 Weight	2.36 oz (67.0 g)
Unit Type of Package 2	S03
Number of Units in Package 2	62
Package 2 Height	11.81 in (30.0 cm)
Package 2 Width	11.81 in (30.0 cm)
Package 2 Length	15.75 in (40.0 cm)
Package 2 Weight	10.33 lb(US) (4.685 kg)

Dimensions



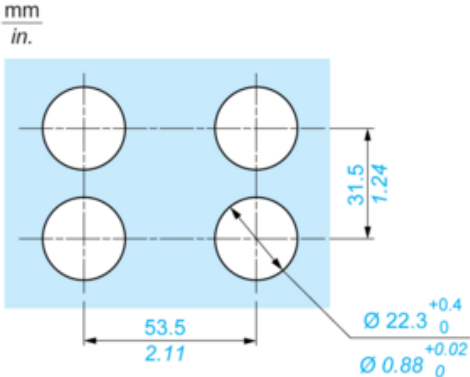
e : Clamping thickness 1 to 6 mm

(1) : Side view

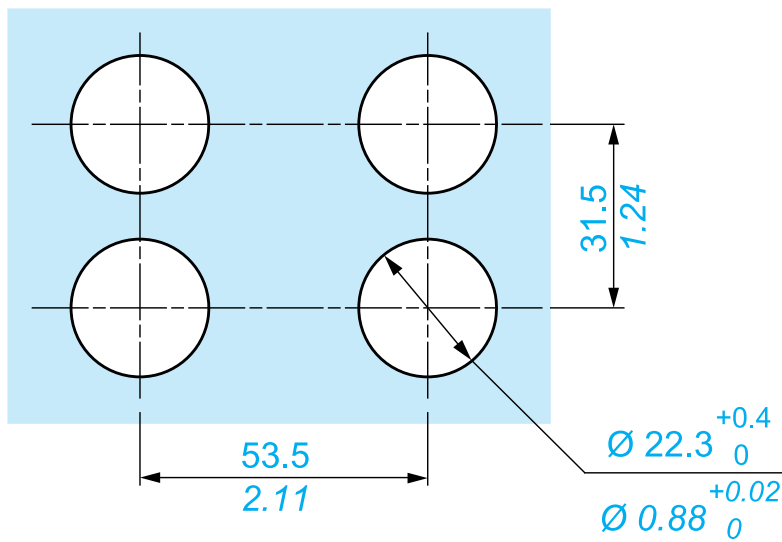
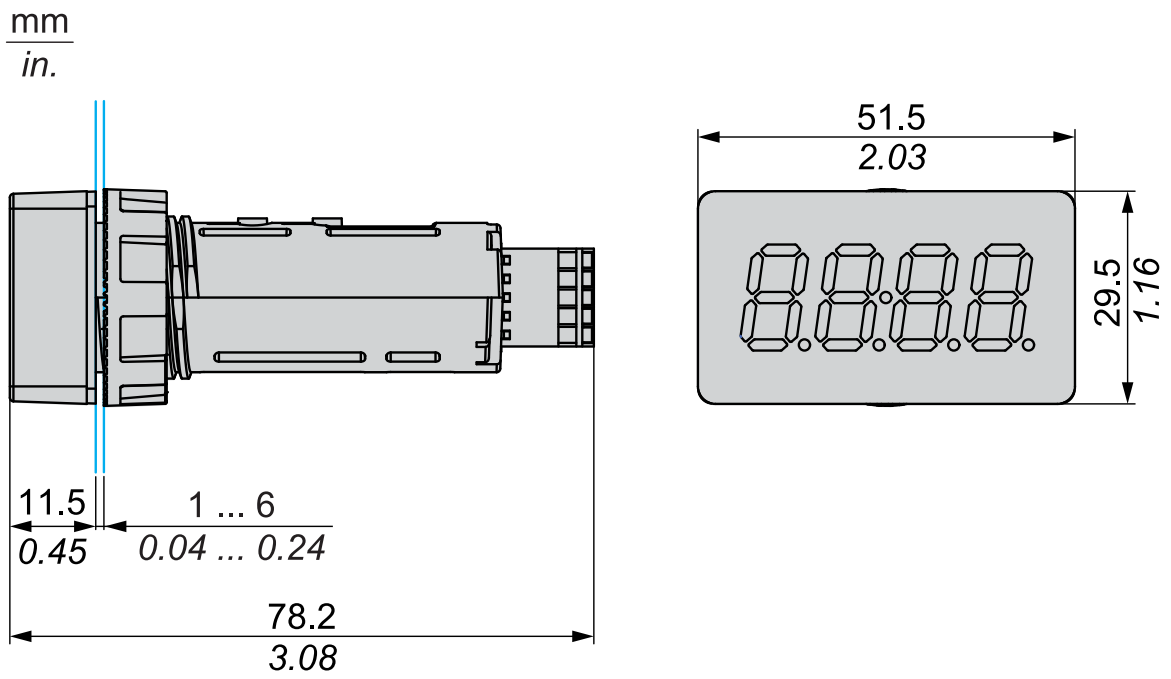
(2) : Front view

Mounting and Clearance

Panel Cut-out for Digital Display



Dimensions



Recommended replacement(s)