

# Product datasheet

Specifications



## round black selector switch Ø16- projecting handle 2 positions-1CO

Local distributor code:

398129512

XB6EAD221P

EAN Code: 3389110640021

### Main

Range Of Product	Harmony XB6E
Product Or Component Type	Monolithic selector switch
Device Short Name	XB6E
Bezel Material	Plastic
Mounting Diameter	16 mm
Sale Per Indivisible Quantity	5
Shape Of Signaling Unit Head	Round
Type Of Operator	stay put
Operator Profile	Black standard handle
Operator Position Information	2 positions
Contacts Type And Composition	1 C/O
Contact Operation	Snap action
Connections - Terminals	Insulated faston, connection size: 2.8 x 0.5 mm Solder terminal, clamping capacity: <= 0.75 mm <sup>2</sup> AWG 19 Fast connector socket
Contacts Material	Gold-flashed silver

### Complementary

Net Weight	0.01 kg
Overvoltage Category	II conforming to IEC 60536
Marking	CE
Mechanical Durability	250000 cycles
Tightening Torque	0.6...1 N.m
Contact Resistance	50 mOhm at 1/6 V
Short-Circuit Protection	2 A cartridge fuse type gG
[Ith] Conventional Free Air Thermal Current	3 A (fast connector socket) 5 A
[Ie] Rated Operational Current	1.5 A at 120 V, AC-12 conforming to EN/IEC 60947-5-1 1 A at 240 V, AC-12 conforming to EN/IEC 60947-5-1 0.7 A at 240 V, AC-13 conforming to EN/IEC 60947-5-1 1 A at 120 V, AC-13 conforming to EN/IEC 60947-5-1 1 A at 24 V, DC-12 conforming to EN/IEC 60947-5-1 0.7 A at 24 V, DC-13 conforming to EN/IEC 60947-5-1 0.2 A at 125 V, DC-12 conforming to EN/IEC 60947-5-1 0.15 A at 125 V, DC-13 conforming to EN/IEC 60947-5-1
Electrical Durability	100000 cycles, AC, 0.7 A at 220 V conforming to EN/IEC 60947-5-1 appendix C

## Environment

Ambient Air Temperature For Storage	-40...70 °C
Ambient Air Temperature For Operation	-10...55 °C
Ip Degree Of Protection	IP65 conforming to IEC 60529
Standards	IEC 60947-5-1 CSA C22.2 No 14 IEC 60947-1 JIS C8201-5-1 UL 508 JIS C 852 JIS C8201-1
Product Certifications	CCC cURus
Vibration Resistance	1 mm (f= 10...55 Hz) conforming to IEC 60068-2-6
Shock Resistance	10 gn (duration = 11 ms) for half sine wave acceleration conforming to IEC 60068-2-27

## Packing Units

Unit Type Of Package 1	PCE
Number Of Units In Package 1	1
Package 1 Height	3.0 cm
Package 1 Width	9.5 cm
Package 1 Length	20.0 cm
Package 1 Weight	11.0 g
Unit Type Of Package 2	BAG
Number Of Units In Package 2	5
Package 2 Height	3.0 cm
Package 2 Width	9.5 cm
Package 2 Length	20.0 cm
Package 2 Weight	61.0 g
Unit Type Of Package 3	S01
Number Of Units In Package 3	50
Package 3 Height	15.0 cm
Package 3 Width	15.0 cm
Package 3 Length	40.0 cm
Package 3 Weight	872.0 g

## Contractual warranty

Warranty	18 months
----------	-----------

## Sustainability

**Green Premium™ label** is Schneider Electric's commitment to delivering products with best-in-class environmental performance. Green Premium promises compliance with the latest regulations, transparency on environmental impacts, as well as circular and low-CO<sub>2</sub> products.

**Guide to assessing product sustainability** is a white paper that clarifies global eco-label standards and how to interpret environmental declarations.

[Learn more about Green Premium >](#)

[Guide to assess a product's sustainability >](#)



Transparency RoHS/REACH

## Well-being performance

Reach Free Of Svhc

Toxic Heavy Metal Free

Mercury Free

Rohs Exemption Information Yes

## Certifications & Standards

**Reach Regulation**

[REACH Declaration](#)

**Eu Rohs Directive**

Pro-active compliance (Product out of EU RoHS legal scope)

[EU RoHS Declaration](#)

**China Rohs Regulation**

[China RoHS declaration](#)

**Environmental Disclosure**

[Product Environmental Profile](#)

**Weee**

The product must be disposed on European Union markets following specific waste collection and never end up in rubbish bins

**Circularity Profile**

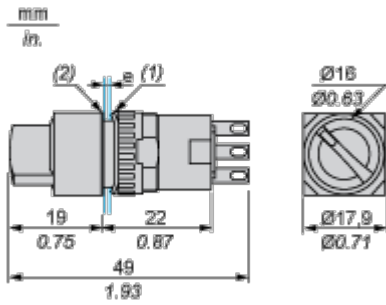
[End of Life Information](#)

Dimensions Drawings

Selector Switch with Standard Handle

---

Circular Head



(1) Anti-rotation plate (thickness: 0.6 mm / 0.02 in.)

(2) Seal (thickness: 0.5 mm / 0.01 in.)

e panel thickness: 0.5 mm (0.01 in.) ≤ e ≤ 6 mm (0.24 in.)

Mounting and Clearance

Panel Cut-Out and Mounting

---

Circular or Square Head

