

Product data sheet

Specifications



Harmony XB5, Complete buzzer, plastic, Ø22, continuous or intermittent tone, 24 V AC/DC

XB5KSB

Product availability : Stock - Normally stocked in distribution facility

Price* : 183.00 USD

Main

| | |
|-----------------------------|-------------------|
| Range of Product | Harmony XB5 |
| Product or Component Type | Annunciator |
| Bezel material | Dark grey plastic |
| Mounting diameter | 0.87 in (22 mm) |
| Head type | Standard |
| Cap/Operator or lens colour | Black |

Complementary

| | |
|------------------------------------|---|
| Supply circuit type | AC/DC |
| Supply frequency | 50/60 Hz |
| Signalling type | Continuous or intermittent tone |
| Noise level | 90 dB 6.8 kHz 0.1 m +/- 10 % |
| Resistance to high pressure washer | 1305.34 psi (9000000 Pa) 176 °F (80 °C) 0.1 m |
| Height | 1.14 in (29 mm) |
| Width | 1.14 in (29 mm) |
| Depth | 2.17 in (55 mm) |
| Net Weight | 0.05 lb(US) (0.024 kg) |
| Current Consumption | <= 28 mA |
| [Us] rated supply voltage | 24 V +/- 10 % |

Environment

| | |
|---------------------------------------|----------------------------|
| Protective treatment | TH |
| Ambient Air Temperature for Storage | -40...158 °F (-40...70 °C) |
| Ambient air temperature for operation | -40...158 °F (-40...70 °C) |
| Overvoltage category | Class II IEC 60536 |
| Electrical shock protection class | Class II IEC 60536 |

* Price is "List Price" and may be subject to a trade discount – check with your local distributor or retailer for actual price.

| | |
|----------------------------------|--|
| NEMA Degree of Protection | NEMA 4X NEMA 13 |
| Standards | IEC 60947-5-1 EN 60947-1 EN 60947-5-1 EN 60947-5-4 CSA C22.2 No 14 IEC 60947-5-4 IEC 60947-1 UL 508 JIS C8201-5-1 JIS C8201-1 IEC 60529 EN 50102 IEC 50102 |
| Product Certifications | UL Listed CSA BV |
| IP Degree of Protection | IP20 IP66 IP67 IP69 IP69K |
| IK Degree of Protection | IK05 IK03 |

Ordering and shipping details

| | |
|--------------------------|-------------------------------------|
| Category | 22467-PUSHBUTTONS,22MM(PLASTIC) NEW |
| Discount Schedule | CS2 |
| GTIN | 3389110102666 |
| Returnability | Yes |
| Country of origin | FR |

Packing Units

| | |
|-------------------------------------|------------------------|
| Unit Type of Package 1 | PCE |
| Number of Units in Package 1 | 1 |
| Package 1 Height | 1.10 in (2.800 cm) |
| Package 1 Width | 1.18 in (3.000 cm) |
| Package 1 Length | 2.13 in (5.400 cm) |
| Package 1 Weight | 0.99 oz (28 g) |
| Unit Type of Package 2 | S01 |
| Number of Units in Package 2 | 88 |
| Package 2 Height | 5.91 in (15.000 cm) |
| Package 2 Width | 5.91 in (15.000 cm) |
| Package 2 Length | 15.75 in (40.000 cm) |
| Package 2 Weight | 5.94 lb(US) (2.696 kg) |

Offer Sustainability

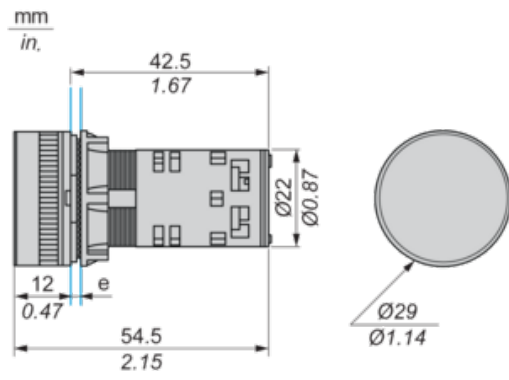
| | |
|----------------------------------|---|
| Sustainable offer status | Green Premium product |
| California proposition 65 | WARNING: This product can expose you to chemicals including: Lead and lead compounds, which is known to the State of California to cause cancer and birth defects or other reproductive harm. For more information go to www.P65Warnings.ca.gov |
| REACH Regulation | REACH Declaration |
| EU RoHS Directive | Pro-active compliance (Product out of EU RoHS legal scope) EU RoHS Declaration |
| Mercury free | Yes |

| | |
|-----------------------------------|--|
| China RoHS Regulation | China RoHS declaration |
| RoHS exemption information | Yes |
| Environmental Disclosure | Product Environmental Profile |
| WEEE | The product must be disposed on European Union markets following specific waste collection and never end up in rubbish bins. |

Contractual warranty

| | |
|-----------------|-----------|
| Warranty | 18 months |
|-----------------|-----------|

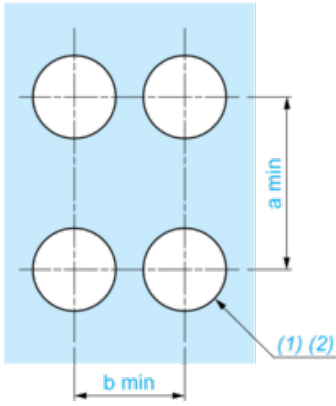
Dimensions



e: Clamping thickness: 1 to 6 mm / 0.04 to 0.24 in.

Panel Cut-out for Buzzer

Connection by Screw Clamp Terminals

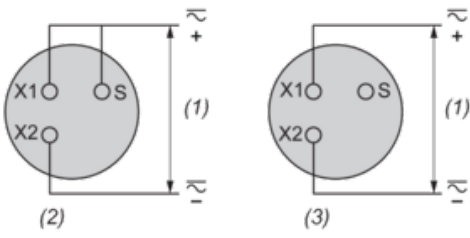


(1) Diameter on finished panel or support

(2) $\text{Ø}22.5 \text{ mm}$ recommended ($\text{Ø}22.3 \text{ }_0^{+0.4}$) / $\text{Ø}0.89 \text{ in.}$ recommended ($\text{Ø}0.88 \text{ in. }_0^{+0.016}$)

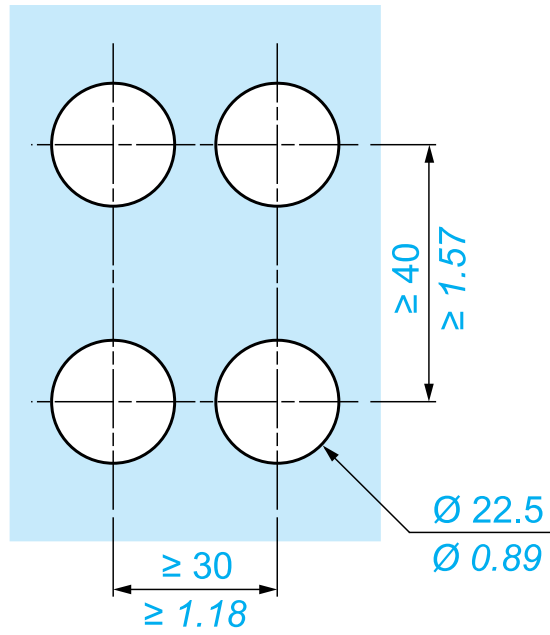
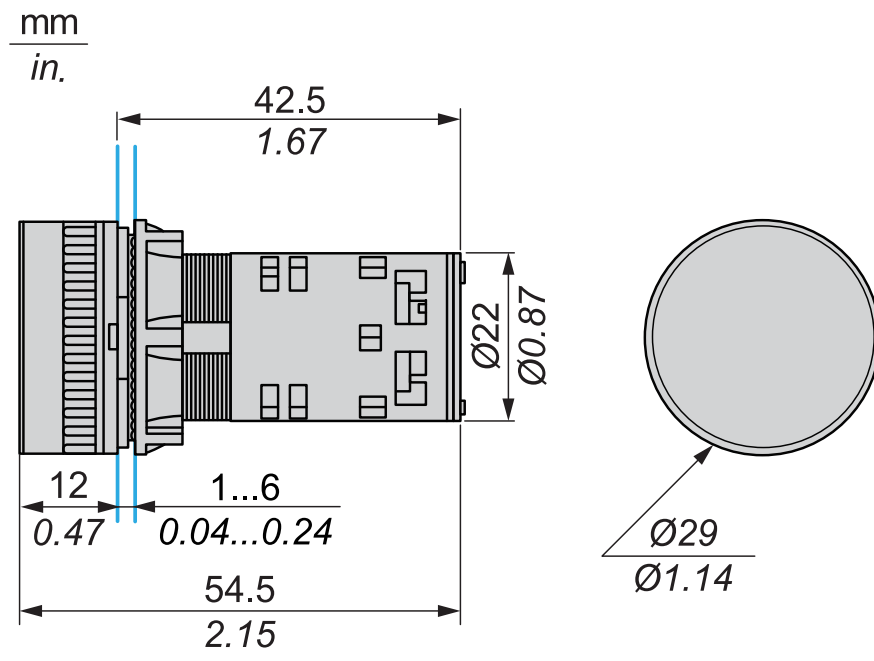
| Connections | a in mm | a in in. | b in mm | b in in. |
|---|---------|----------|---------|----------|
| By screw clamp terminals or plug-in connector | 40 | 1.57 | 30 | 1.18 |

Cabling of Annunciators

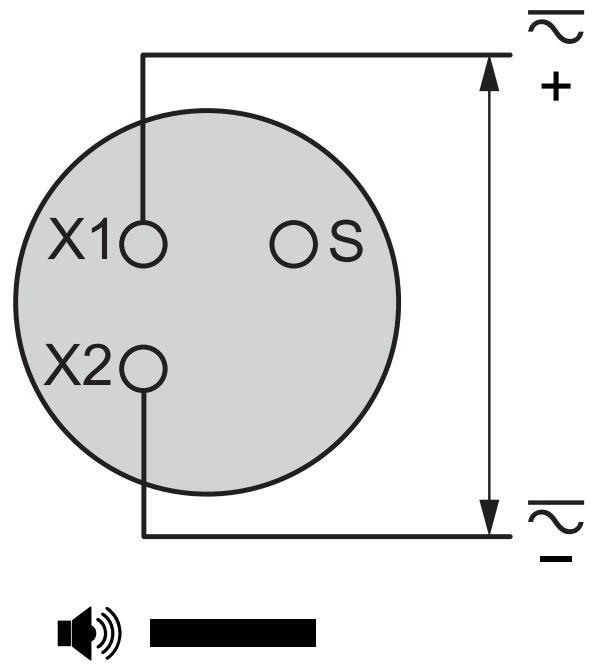
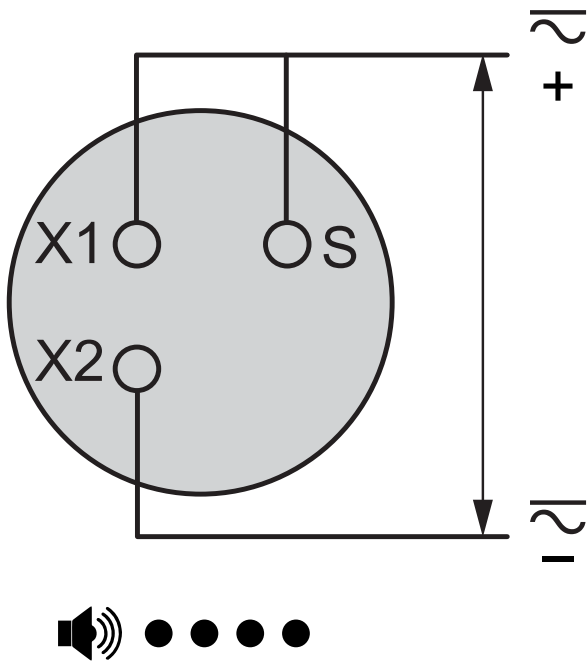


- (1) Supply
- (2) Intermittent
- (3) Continuous

Dimensions



Wiring Diagram



Recommended replacement(s)