

# Product data sheet

Specifications



Empty control station without hinges, Harmony XAP, XB2 SL, plastic, grey, undrilled, 151x241x87mm

XAPA3100

Product availability : Stock - Normally stocked in distribution facility

**Price\* : 284.00 USD**

## Main

Range of Product	Harmony XAP
Product or Component Type	Empty control station without hinges
Device short name	XAPA
Product front plate size	151 x 241 mm
Usable depth	3.27 in (83 mm)
Number of cut-out	Undrilled
Colour of base of enclosure	Grey
Colour of cover	Grey
Material	Glass reinforced polyester
Cable entry	Undrilled
Device mounting	Flush
IP degree of protection	IP65 IEC 60529 IP69 NF C 20-010 IP69K
Resistance to chemical agents	High resistant to acids High resistant to all solvents High resistant to bases High resistant to diesel High resistant to mineral salts High resistant to oils and greases High resistant to petrol High resistant to sea water

## Complementary

Net Weight	1.90 lb(US) (0.86 kg)
Flame retardance	M3 conforming to CSTB VO conforming to UL 94

## Environment

Protective treatment	TH TC
Ambient Air Temperature for Storage	-40...158 °F (-40...70 °C)
Ambient air temperature for operation	-40...158 °F (-40...70 °C)
Overvoltage category	Class II IEC 60536

\* Price is "List Price" and may be subject to a trade discount – check with your local distributor or retailer for actual price.

<b>Fire resistance</b>	1562 °F (850 °C) NF C 20-455 1760 °F (960 °C) IEC 92
------------------------	---------------------------------------------------------

## Ordering and shipping details

<b>Category</b>	22475-WALL STATIONS
<b>Discount Schedule</b>	CS2
<b>GTIN</b>	3389110313178
<b>Returnability</b>	No
<b>Country of origin</b>	FR

## Packing Units

<b>Unit Type of Package 1</b>	PCE
<b>Number of Units in Package 1</b>	1
<b>Package 1 Height</b>	5.12 in (13 cm)
<b>Package 1 Width</b>	6.54 in (16.6 cm)
<b>Package 1 Length</b>	9.65 in (24.5 cm)
<b>Package 1 Weight</b>	2.28 lb(US) (1.032 kg)
<b>Unit Type of Package 2</b>	S03
<b>Number of Units in Package 2</b>	4
<b>Package 2 Height</b>	11.81 in (30 cm)
<b>Package 2 Width</b>	11.81 in (30 cm)
<b>Package 2 Length</b>	15.75 in (40 cm)
<b>Package 2 Weight</b>	10.18 lb(US) (4.616 kg)
<b>Unit Type of Package 3</b>	P06
<b>Number of Units in Package 3</b>	32
<b>Package 3 Height</b>	30.31 in (77 cm)
<b>Package 3 Width</b>	31.50 in (80 cm)
<b>Package 3 Length</b>	23.62 in (60 cm)
<b>Package 3 Weight</b>	100.05 lb(US) (45.38 kg)

## Offer Sustainability

<b>Sustainable offer status</b>	Green Premium product
<b>California proposition 65</b>	WARNING: This product can expose you to chemicals including: Di-isodecyl phthalate (DIDP), which is known to the State of California to cause birth defects or other reproductive harm. For more information go to <a href="http://www.P65Warnings.ca.gov">www.P65Warnings.ca.gov</a>
<b>REACH Regulation</b>	<a href="#">REACH Declaration</a>
<b>REACH free of SVHC</b>	Yes
<b>EU RoHS Directive</b>	Pro-active compliance (Product out of EU RoHS legal scope) <a href="#">EU RoHS Declaration</a>
<b>Toxic heavy metal free</b>	Yes
<b>Mercury free</b>	Yes
<b>China RoHS Regulation</b>	<a href="#">China RoHS declaration</a>
<b>RoHS exemption information</b>	<a href="#">Yes</a>
<b>Environmental Disclosure</b>	<a href="#">Product Environmental Profile</a>

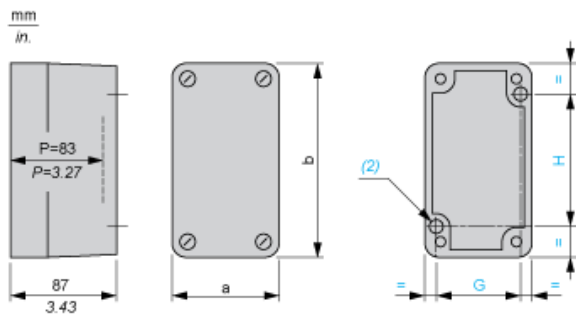
# Contractual warranty

---

Warranty

18 months

**Dimensions and Fixing**



(2) 2 x Ø 5.6 mm/4.94 in. holes, depth 12 mm/0.47 in.  
P Usable depth

a		b		G		H	
mm	in.	mm	in.	mm	in.	mm	in.
151	5.94	241	9.49	135	5.31	200	7.87

**Recommended replacement(s)**