

# Product data sheet

Specifications



Empty control station without hinges, Harmony XAP, XB2 SL, plastic, grey, undrilled, 85x226x87mm

XAPA2100

Product availability : Stock - Normally stocked in distribution facility

**Price\* : 180.00 USD**

## Main

|                               |  |
|-------------------------------|--|
| Range of Product              | Harmony XAP  |
| Product or Component Type     | Empty control station without hinges   |
| Device short name             | XAPA   |
| Product front plate size      | 85 x 226 mm  |
| Usable depth                  | 3.27 in (83 mm)  |
| Number of cut-out             | Undrilled  |
| Colour of base of enclosure   | Grey   |
| Colour of cover               | Grey   |
| Material                      | Glass reinforced polyester   |
| Cable entry                   | Undrilled  |
| Device mounting               | Flush  |
| IP degree of protection       | IP65 IEC 60529<br>IP69 NF C 20-010<br>IP69K  |
| Resistance to chemical agents | High resistant to acids<br>High resistant to all solvents<br>High resistant to bases<br>High resistant to diesel<br>High resistant to mineral salts<br>High resistant to oils and greases<br>High resistant to petrol<br>High resistant to sea water |

## Complementary

|                  |   |
|------------------|---|
| Net Weight       | 1.32 lb(US) (0.6 kg)                            |
| Flame retardance | M3 conforming to CSTB<br>VO conforming to UL 94 |

## Environment

|                                       |                            |
|---------------------------------------|----------------------------|
| Protective treatment                  | TH<br>TC                   |
| Ambient Air Temperature for Storage   | -40...158 °F (-40...70 °C) |
| Ambient air temperature for operation | -40...158 °F (-40...70 °C) |
| Overvoltage category                  | Class II IEC 60536         |

\* Price is "List Price" and may be subject to a trade discount – check with your local distributor or retailer for actual price.

|                        |   |
|------------------------|---|
| <b>Fire resistance</b> | 1562 °F (850 °C) NF C 20-455<br>1760 °F (960 °C) IEC 92 |
|------------------------|---|

## Ordering and shipping details

|                          |                     |
|--------------------------|---------------------|
| <b>Category</b>          | 22475-WALL STATIONS |
| <b>Discount Schedule</b> | CS2                 |
| <b>GTIN</b>              | 3389110313161       |
| <b>Returnability</b>     | No                  |
| <b>Country of origin</b> | FR                  |

## Packing Units

|                                     |                           |
|-------------------------------------|---------------------------|
| <b>Unit Type of Package 1</b>       | PCE                       |
| <b>Number of Units in Package 1</b> | 1                         |
| <b>Package 1 Height</b>             | 5.51 in (14.000 cm)       |
| <b>Package 1 Width</b>              | 3.54 in (9.000 cm)        |
| <b>Package 1 Length</b>             | 9.06 in (23.000 cm)       |
| <b>Package 1 Weight</b>             | 24.34 oz (689.900 g)      |
| <b>Unit Type of Package 2</b>       | P06                       |
| <b>Number of Units in Package 2</b> | 72                        |
| <b>Package 2 Height</b>             | 29.53 in (75.000 cm)      |
| <b>Package 2 Width</b>              | 23.62 in (60.000 cm)      |
| <b>Package 2 Length</b>             | 31.50 in (80.000 cm)      |
| <b>Package 2 Weight</b>             | 138.19 lb(US) (62.680 kg) |

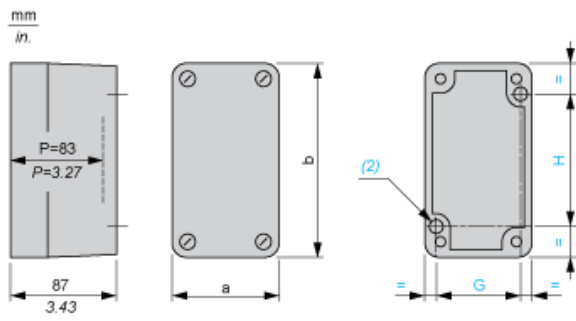
## Offer Sustainability

|                                   |   |
|-----------------------------------|---|
| <b>Sustainable offer status</b>   | Green Premium product   |
| <b>California proposition 65</b>  | WARNING: This product can expose you to chemicals including: Di-isodecyl phthalate (DIDP), which is known to the State of California to cause birth defects or other reproductive harm. For more information go to <a href="http://www.P65Warnings.ca.gov">www.P65Warnings.ca.gov</a> |
| <b>REACH Regulation</b>           | <a href="#">REACH Declaration</a>   |
| <b>REACH free of SVHC</b>         | Yes   |
| <b>EU RoHS Directive</b>          | Pro-active compliance (Product out of EU RoHS legal scope)<br><a href="#">EU RoHS Declaration</a>   |
| <b>Toxic heavy metal free</b>     | Yes   |
| <b>Mercury free</b>               | Yes   |
| <b>China RoHS Regulation</b>      | <a href="#">China RoHS declaration</a>  |
| <b>RoHS exemption information</b> | Yes   |
| <b>Environmental Disclosure</b>   | <a href="#">Product Environmental Profile</a>   |

## Contractual warranty

|                 |           |
|-----------------|-----------|
| <b>Warranty</b> | 18 months |
|-----------------|-----------|

**Dimensions and Fixing**



(2) 2 x Ø 5.6 mm/4.94 in. holes, depth 12 mm/0.47 in.  
P Usable depth

| a  |      | b   |      | G  |      | H   |      |
|----|------|-----|------|----|------|-----|------|
| mm | in.  | mm  | in.  | mm | in.  | mm  | in.  |
| 85 | 3.35 | 226 | 8.90 | 70 | 2.76 | 180 | 7.09 |

**Recommended replacement(s)**