

Product data sheet

Specifications



Socket equipped with LED and protection circuit, Harmony, for SSL relays, screw connectors, 5 24V DC

SSLZVA1

Main

Range of product	Harmony Solid State Relays
Product or component type	Socket for SSL1
Device short name	SSLZ
Sale per indivisible quantity	10

Complementary

Contact terminal arrangement	Separate
Product compatibility	Solid state relay SSL with NO contact at 24 V DC Solid state relay SSL with NO contact at 5 V DC
Shape of pin	Flat
[I _{th}] conventional free air thermal current	6 A 6 A
[U _e] rated operational voltage	< 250 V DC
Connections - terminals	Screw clamp terminals, 1 x 0.2...1 x 2.5 mm ² (AWG 24...AWG 14) solid without cable end Screw clamp terminals, 1 x 0.2...1 x 2.5 mm ² (AWG 24...AWG 14) flexible with cable end
Tightening torque	< 0.5 N.m for M2.5 screw(s)
Fixing mode	Clip-on (35 mm DIN rail)
Switching voltage	5 V DC 24 V DC
Local signalling	LED (green) for input status
Width	6.2 mm
Height	101 mm
Depth	78.6 mm
Net weight	0.0285 kg
Environment	
Flame retardance	V0 conforming to UL 94
Standards	IEC 61984
Product certifications	CSA C22-2 No 14 UL 508
Marking	CE

Ambient air temperature for storage	-40...85 °C
Ambient air temperature for operation	-40...70 °C
IP degree of protection	IP20
Dielectric strength	2500 V

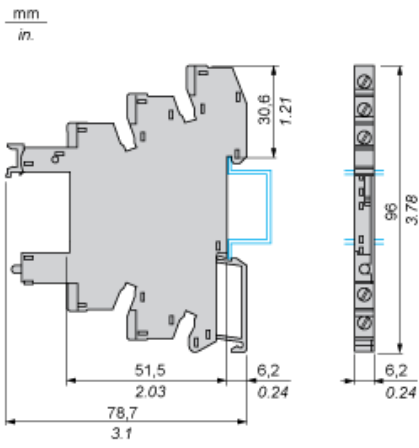
Packing Units

Unit Type of Package 1	PCE
Number of Units in Package 1	1
Package 1 Height	9.6 cm
Package 1 Width	0.62 cm
Package 1 Length	7.9 cm
Package 1 Weight	31.0 g
Unit Type of Package 2	BB1
Number of Units in Package 2	10
Package 2 Height	7.0 cm
Package 2 Width	8.6 cm
Package 2 Length	10.3 cm
Package 2 Weight	340.0 g
Unit Type of Package 3	S03
Number of Units in Package 3	300
Package 3 Height	30.0 cm
Package 3 Width	30.0 cm
Package 3 Length	40.0 cm
Package 3 Weight	9.2 kg

Offer Sustainability

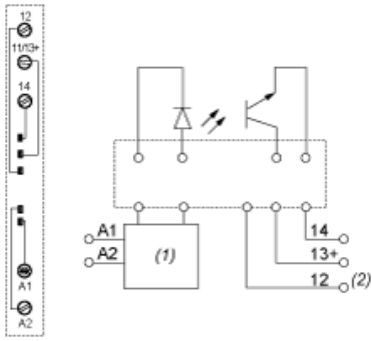
Sustainable offer status	Green Premium product
REACH Regulation	REACH Declaration
REACH free of SVHC	Yes
EU RoHS Directive	Pro-active compliance (Product out of EU RoHS legal scope) EU RoHS Declaration
Toxic heavy metal free	Yes
Mercury free	Yes
China RoHS Regulation	China RoHS declaration
RoHS exemption information	Yes
Environmental Disclosure	Product Environmental Profile
Circularity Profile	End of Life Information
California proposition 65	WARNING: This product can expose you to chemicals including: Nickel compounds, which is known to the State of California to cause cancer, and Di-isodecyl phthalate (DIDP), which is known to the State of California to cause birth defects or other reproductive harm. For more information go to www.P65Warnings.ca.gov

Dimensions



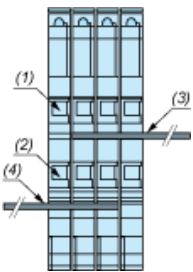
Wiring Diagram

Wiring Diagram for DC Output



- (1) Protection circuit
- (2) Terminal 12 is not in use for SSL Relay

Example of RSLZ2 Bus Jumper Mounting on Sockets



- (1) A1
- (2) A2
- (3) Bus jumper polarity A1
- (4) Bus jumper polarity A2

Recommended replacement(s)