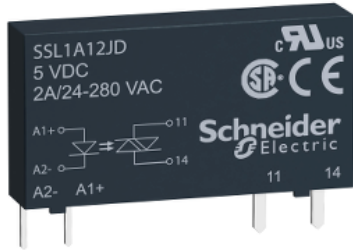


Product data sheet

Specifications



Solid state slim relay, Harmony,
2A, zero voltage switching, input
15...30V DC, output 24...280V AC

SSL1A12BD

Main

Range of product	Harmony Solid State Relays
Product or component type	Solid state relay up to 10 A
Device short name	SSL
Network number of phases	1 phase
Output switching mode	DC switching

Complementary

Mounting support	Socket
[In] rated current	2 A
Output voltage	24...280 V AC
[Uc] control circuit voltage	15...30 V DC
Capacitance unbalance	1.5 pF input/output
Minimum switching voltage	15 V DC turn-on
Maximum switching voltage	10 V DC turn-off
Input current limits	6 mA
Input impedance	3500 Ohm
Solid state output type	Zero voltage switching SCR output
Load current	0.07...2 A
Tansient Overvoltage	600 V AC
Surge current	120 A for 16.6 ms 115 A for 20 ms
Maximum voltage drop	<1.1 V on-state
Maximum I ² t for fusing	66 A ² .s for 10 ms at 50 Hz 60 A ² .s for 8.3 ms at 60 Hz
Maximum leakage current	4 mA off-state
DV/Dt	500 V/μs off-state at maximum voltage
Response time	0.5 cycle (turn-on) 0.5 cycle (turn-off)
Overvoltage category	III
Width	5 mm

Height	28 mm
Depth	15 mm
Net weight	0.0041 kg

Environment

Flame retardance	V0 conforming to UL 94
Dielectric strength	2500 V for input/output
Pollution degree	2
Product certifications	UL CSA
Marking	CE
Ambient air temperature for operation	-20...80 °C
Ambient air temperature for storage	-20...85 °C

Packing Units

Unit Type of Package 1	PCE
Number of Units in Package 1	1
Package 1 Height	0.7 cm
Package 1 Width	2.5 cm
Package 1 Length	37 cm
Package 1 Weight	5 g
Unit Type of Package 2	BB1
Number of Units in Package 2	12
Package 2 Height	0.7 cm
Package 2 Width	2.5 cm
Package 2 Length	37 cm
Package 2 Weight	61 g
Unit Type of Package 3	S01
Number of Units in Package 3	1080
Package 3 Height	15 cm
Package 3 Width	15 cm
Package 3 Length	40 cm
Package 3 Weight	5.684 kg

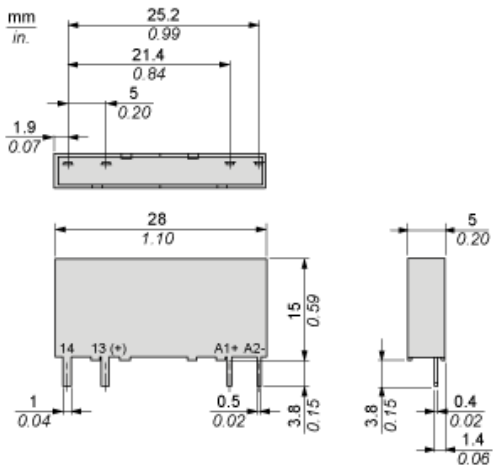
Offer Sustainability

Sustainable offer status	Green Premium product
REACH Regulation	REACH Declaration
REACH free of SVHC	Yes
EU RoHS Directive	Pro-active compliance (Product out of EU RoHS legal scope) EU RoHS Declaration
Mercury free	Yes
China RoHS Regulation	China RoHS declaration
RoHS exemption information	Yes

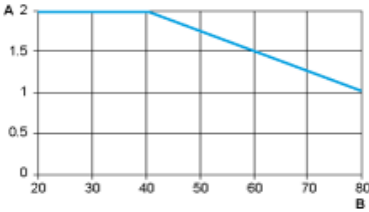
California proposition 65

WARNING: This product can expose you to chemicals including: Lead and lead compounds, which is known to the State of California to cause cancer and birth defects or other reproductive harm. For more information go to www.P65Warnings.ca.gov

Dimensions



Derating Curves



A : Load Current (Amperes)
B : Ambient Temperature (°C)

Recommended replacement(s)