

# Product data sheet

Specifications



## Socket, Harmony, for RPM3 power relays, 16A screw clamp terminals, mixed contact

RPZF3

### Main

Range of product	Harmony Electromechanical Relays
Product or component type	Socket
Contact terminal arrangement	Mixed
Product compatibility	Plug-in relay RPM with 3 C/O contact
Shape of pin	Flat
Device short name	RPZ
Sale per indivisible quantity	10

### Complementary

[I <sub>th</sub> ] conventional free air thermal current	16 A
[U <sub>e</sub> ] rated operational voltage	< 250 V
Tightening torque	< 1 N.m for M3.5 screw(s)
Fixing mode	By screw (panel) Clip-on (35 mm symmetrical DIN rail)
Marking	CE
Width	40 mm
Net weight	0.072 kg
[U <sub>imp</sub> ] rated impulse withstand voltage	4 kV
Overvoltage category	III
Pollution degree	3

### Environment

Connections - terminals	- screw clamp terminals, flexible cable with cable end 1 x 0.5...1 x 2.5 mm <sup>2</sup> / AWG 20...AWG 14 - screw clamp terminals, solid cable without cable end 1 x 0.5...1 x 1.5 mm <sup>2</sup> / AWG 20...AWG 16 - screw clamp terminals, flexible cable with cable end 2 x 0.5...2 x 2.5 mm <sup>2</sup> / AWG 20...AWG 14 - screw clamp terminals, solid cable without cable end 2 x 0.5...2 x 1.5 mm <sup>2</sup> / AWG 20...AWG 16
Standards	IEC 61984
Product certifications	CSA UL
Ambient air temperature for storage	-40...85 °C

Ambient air temperature for operation	-40...55 °C
IP degree of protection	IP20 conforming to EN/IEC 60529
Dielectric strength	2500 V

## Packing Units

Unit Type of Package 1	PCE
Number of Units in Package 1	1
Package 1 Height	3.0 cm
Package 1 Width	4.0 cm
Package 1 Length	8.5 cm
Package 1 Weight	77.0 g
Unit Type of Package 2	BB1
Number of Units in Package 2	10
Package 2 Height	6.3 cm
Package 2 Width	12 cm
Package 2 Length	20.2 cm
Package 2 Weight	770 g
Unit Type of Package 3	S03
Number of Units in Package 3	150
Package 3 Height	30 cm
Package 3 Width	30 cm
Package 3 Length	40 cm
Package 3 Weight	12.45 kg

## Offer Sustainability

Sustainable offer status	Green Premium product
REACH Regulation	<a href="#">REACH Declaration</a>
REACH free of SVHC	Yes
EU RoHS Directive	Pro-active compliance (Product out of EU RoHS legal scope) <a href="#">EU RoHS Declaration</a>
Toxic heavy metal free	Yes
Mercury free	Yes
China RoHS Regulation	<a href="#">China RoHS declaration</a>
RoHS exemption information	<a href="#">Yes</a>
Environmental Disclosure	<a href="#">Product Environmental Profile</a>
WEEE	The product must be disposed on European Union markets following specific waste collection and never end up in rubbish bins
California proposition 65	WARNING: This product can expose you to chemicals including: Nickel compounds, which is known to the State of California to cause cancer, and Di-isodecyl phthalate (DIDP), which is known to the State of California to cause birth defects or other reproductive harm. For more information go to <a href="http://www.P65Warnings.ca.gov">www.P65Warnings.ca.gov</a>

## Contractual warranty

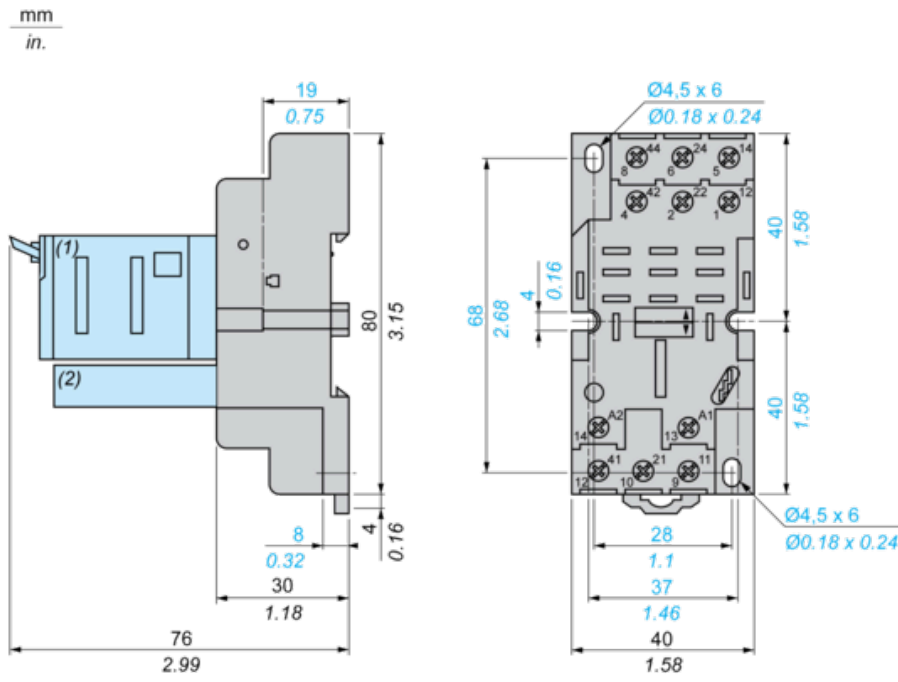
Warranty	18 months
----------	-----------

# Product data sheet

## Dimensions Drawings

# RPZF3

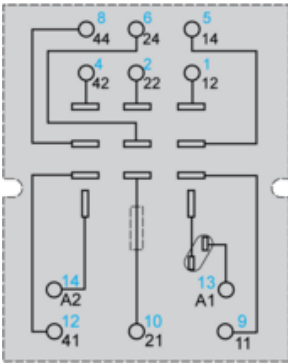
### Dimensions



- (1) Relays
- (2) Protection module
- (3) Maintaining clamp

**Wiring Diagram**

---



Symbols shown in blue correspond to Nema marking.

**Recommended replacement(s)**