

# Product datasheet

Specifications



## Altivar Soft Starter ATS130, 65A, 200 to 480V AC, control supply 24V DC

ATS130N2D65LT

EAN Code: 3606486007419

### Main

Range Of Product	Altivar Soft Starter ATS130
Product Or Component Type	Soft starter
Product Destination	Asynchronous motors
Product Specific Application	Simple machine
Device Short Name	ATS130
Network Number Of Phases	3 phases
Utilisation Category	AC-53A
Ue Power Supply Voltage	200...480 V - 15...10 %
Power Supply Frequency	50...60 Hz +/- 5 Hz
[Ie] Rated Operational Current	65 A in line (at <40 °C)
Service Factor At Ie	100
Torque Control	False
Ip Degree Of Protection	IP20
Motor Power Kw	18.5 kW at 230 V normal duty 30 kW at 400 V normal duty 37 kW at 440 V normal duty
Motor Power Hp	20 hp at 200 V normal duty 20 hp at 208 V normal duty 20 hp at 230 V normal duty 40 hp at 460 V normal duty 50 hp at 480 V normal duty

### Complementary

Overload Current Profile	300 % Ie for 5 s
On-Load Factor	70 %
Operating Cycles/Hour	13 cyc/h
Minimum Motor Current	20 % Ie
Device Connection	In line
[Us] Control Circuit Voltage	24 V DC +/- 10 %
Control Power	21.6 W starting and stopping 3 W steady state
Integrated Motor Overload Protection	False
Protection Type	Phase failure: mains Thermal protection: starter Bypass error: starter Control voltage Us: starter

<b>Rated Current Pwr Loss Specification</b>	65 A
<b>Power Loss Static Current Independent</b>	3 W
<b>Power Loss Per Device Current Dependent</b>	16 W
<b>Power Loss During Starting</b>	397 W 300 % I <sub>e</sub>
<b>Standards</b>	EN/IEC 60947-4-2 UL 60947-4-2 IEC 60664-1
<b>Product Certifications</b>	CE UKCA CCC RCM EAC
<b>Marking</b>	CE CCC UKCA RCM EAC
<b>[Uc] Control Circuit Voltage</b>	24 V DC
<b>Discrete Input Number</b>	3
<b>Discrete Input Type</b>	(DI) digital input, 10 kOhm (DI2) digital input, 10 kOhm (BOOST) digital input, 10 kOhm
<b>Input Compatibility</b>	Discrete input level 1 PLC conforming to EN/IEC 61131-2
<b>Discrete Input Logic</b>	Digital input at State 0: 0... < 5 V and ≤ 0.2 mA at State 1: > 13 V, ≥ 0.5 mA
<b>Relay Output Number</b>	1
<b>Relay Output Type</b>	Relay outputs R1A, R1C NO
<b>Minimum Switching Current</b>	2.5 mA at 24 V DC for relay outputs
<b>Maximum Switching Current</b>	On resistive load for relay outputs : 1 A 250 V AC 400000 cycles On resistive load for relay outputs : 1 A 30 V DC 400000 cycles On inductive load for relay outputs : 1 A 250 V AC cos phi = 0.4 100000 cycles On inductive load for relay outputs : 1 A 30 V DC cos phi = 0.4 100000 cycles
<b>Discrete Output Number</b>	1
<b>Discrete Output Type</b>	Non programmable digital output DQ1 ≤ 30 V 200 mA
<b>Display Type</b>	1 LED (green) for control power energized 1 LED (yellow and red) for motor operation phases, errors
<b>Display Screen Available</b>	False
<b>Operating Position</b>	Vertical +/- 30 degree
<b>Height</b>	166 mm
<b>Width</b>	55 mm
<b>Depth</b>	165 mm
<b>Net Weight</b>	1.3 kg
<b>Suitable For Mounting Onto Standard Rails</b>	True
<b>Function Available</b>	Deceleration voltage ramp Boost
<b>Internal Bypass</b>	True
<b>Material Declaration</b>	True

## Environment

<b>Pollution Degree</b>	Level 2
-------------------------	---------

<b>Environmental Class (During Operation)</b>	Without salt mist: 3C3 conforming to IEC 60721-3-3 3S3 conforming to IEC 60721-3-3
<b>[Uimp] Rated Impulse Withstand Voltage</b>	4 kV
<b>[Ui] Rated Insulation Voltage</b>	480 V
<b>Electromagnetic Compatibility</b>	Conducted and radiated emissions level B conforming to IEC 60947-4-2 Short voltage interruptions level 3 conforming to IEC 61000-4-11 Electrostatic discharge level 2 conforming to IEC 61000-4-2 Radiated radio-frequency electromagnetic field immunity test level 1 conforming to IEC 61000-4-3 Electrical fast transient/burst immunity test level 2 conforming to IEC 61000-4-4 Oscillatory waves immunity level 3 conforming to IEC 61000-4-12 Voltage/current impulse level 2 conforming to IEC 61000-4-5 Conducted disturbances, induced by radiofrequency fields level 1 conforming to IEC 61000-4-6
<b>Ambient Air Temperature For Operation</b>	-10...40 °C (without derating) 40...60 °C (with current derating 1.5 % per °C)
<b>Ambient Air Temperature For Storage</b>	-25...70 °C
<b>Ambient Air Transport Temperature</b>	-40...70 °C
<b>Operating Altitude</b>	0...1000 m without derating 1000...4000 m 1 % per 100 m
<b>Relative Humidity</b>	5...95 % non condensing without dripping water conforming to IEC 60068-2-3
<b>Maximum Acceleration Under Vibrational Stress (During Operation)</b>	10 m/s <sup>2</sup> at 9...200 Hz
<b>Maximum Acceleration Under Vibratory Load (During Storage)</b>	10 m/s <sup>2</sup> at 9...200 Hz
<b>Maximum Acceleration Under Vibratory Load (During Transport)</b>	10 m/s <sup>2</sup> at 9...200 Hz
<b>Maximum Deflection Under Vibratory Load (During Operation)</b>	3 mm at 2-9 Hz
<b>Maximum Deflection Under Vibratory Load (During Storage)</b>	3 mm at 2-9 Hz
<b>Maximum Deflection Under Vibratory Load (During Transport)</b>	3 mm at 2-9 Hz
<b>Maximum Acceleration Under Shock Impact (During Operation)</b>	100 m/s <sup>2</sup> at 11 ms
<b>Maximum Acceleration Under Shock Load (During Storage)</b>	100 m/s <sup>2</sup> at 11 ms
<b>Maximum Acceleration Under Shock Load (During Transport)</b>	100 m/s <sup>2</sup> at 11 ms

## Packing Units

<b>Unit Type Of Package 1</b>	PCE
<b>Number Of Units In Package 1</b>	1
<b>Package 1 Height</b>	6.300 cm
<b>Package 1 Width</b>	27.000 cm
<b>Package 1 Length</b>	28.000 cm
<b>Package 1 Weight</b>	1.512 kg
<b>Unit Type Of Package 2</b>	S06
<b>Number Of Units In Package 2</b>	40
<b>Package 2 Height</b>	75.000 cm
<b>Package 2 Width</b>	60.000 cm
<b>Package 2 Length</b>	80.000 cm
<b>Package 2 Weight</b>	69.500 kg

# Contractual warranty

---

Warranty

18 months

## Sustainability

**Green Premium™ label** is Schneider Electric's commitment to delivering products with best-in-class environmental performance. Green Premium promises compliance with the latest regulations, transparency on environmental impacts, as well as circular and low-CO<sub>2</sub> products.

**Guide to assessing product sustainability** is a white paper that clarifies global eco-label standards and how to interpret environmental declarations.

[Learn more about Green Premium >](#)

[Guide to assess a product's sustainability >](#)



Transparency RoHS/REACH

## Well-being performance

✓ Reach Free Of Svhc

---

✓ Toxic Heavy Metal Free

---

✓ Mercury Free

---

✓ Rohs Exemption Information Yes

---

## Certifications & Standards

**Reach Regulation** [REACH Declaration](#)

---

**Eu Rohs Directive** Pro-active compliance (Product out of EU RoHS legal scope)  
[EU RoHS Declaration](#)

---

**China Rohs Regulation** [China RoHS declaration](#)

---

**Environmental Disclosure** [Product Environmental Profile](#)

---

**Weee** The product must be disposed on European Union markets following specific waste collection and never end up in rubbish bins

---

**Circularity Profile** [End of Life Information](#)

---

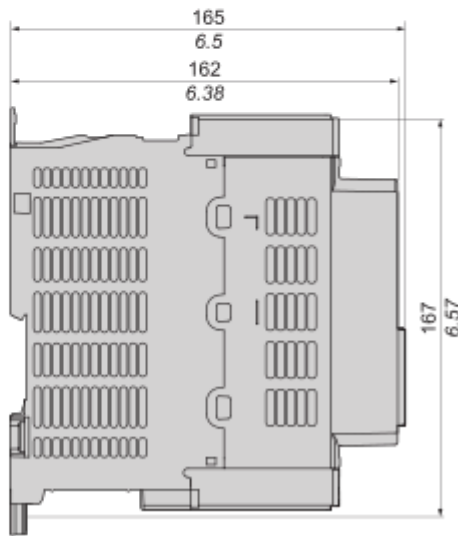
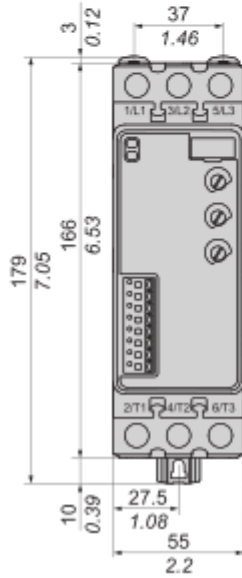
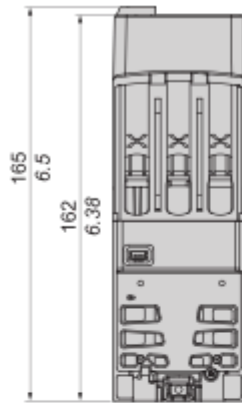
Dimensions Drawings

Dimensions

---

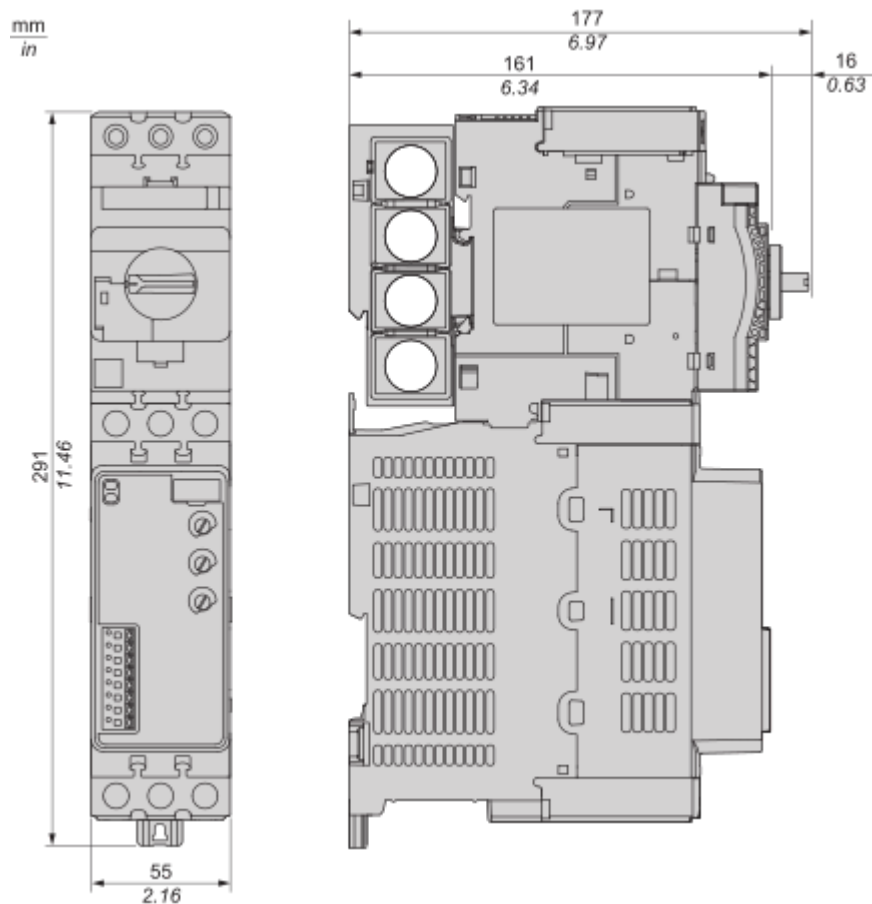
Soft Starter

mm  
in



Dimensions

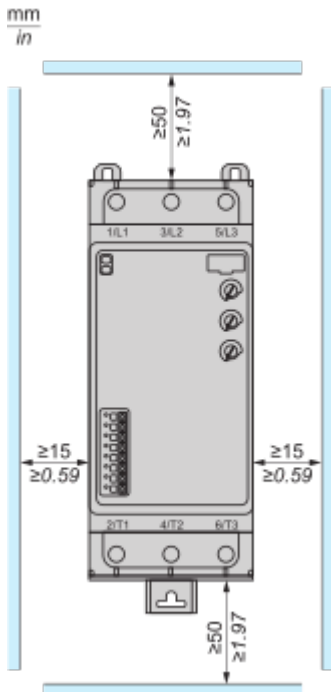
Soft Motor Starter



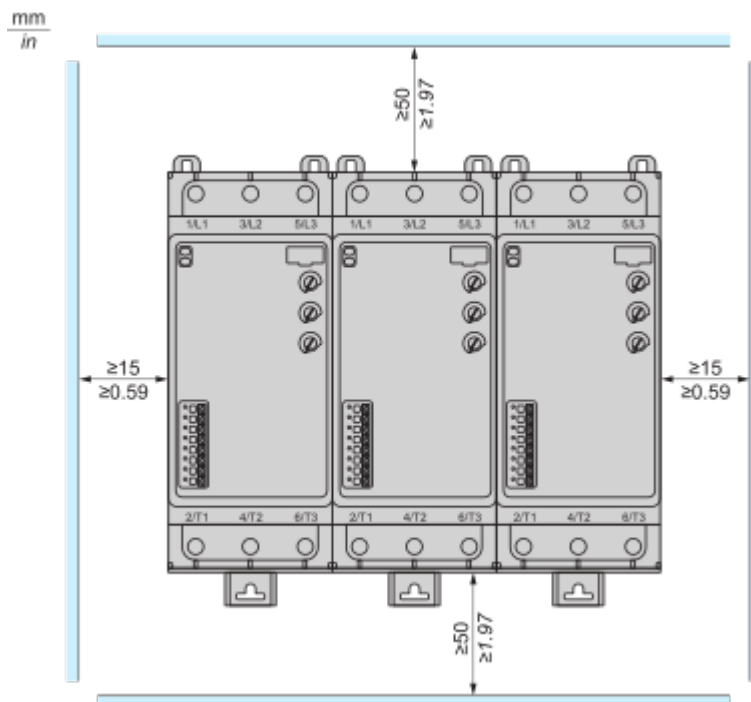
Mounting and Clearance

Mounting

ATS130 Standalone

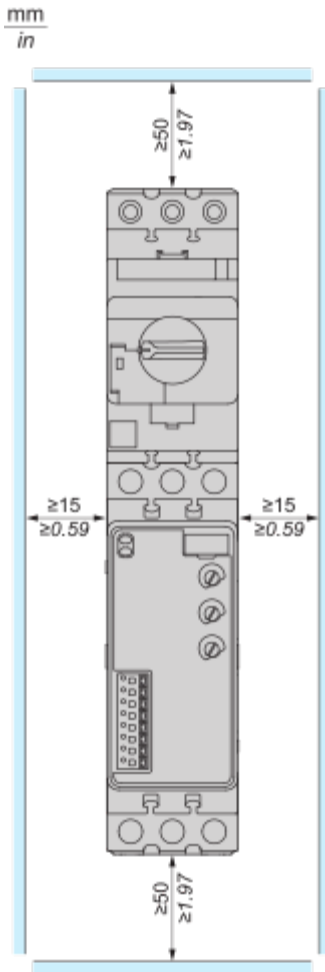


ATS130 Side by side



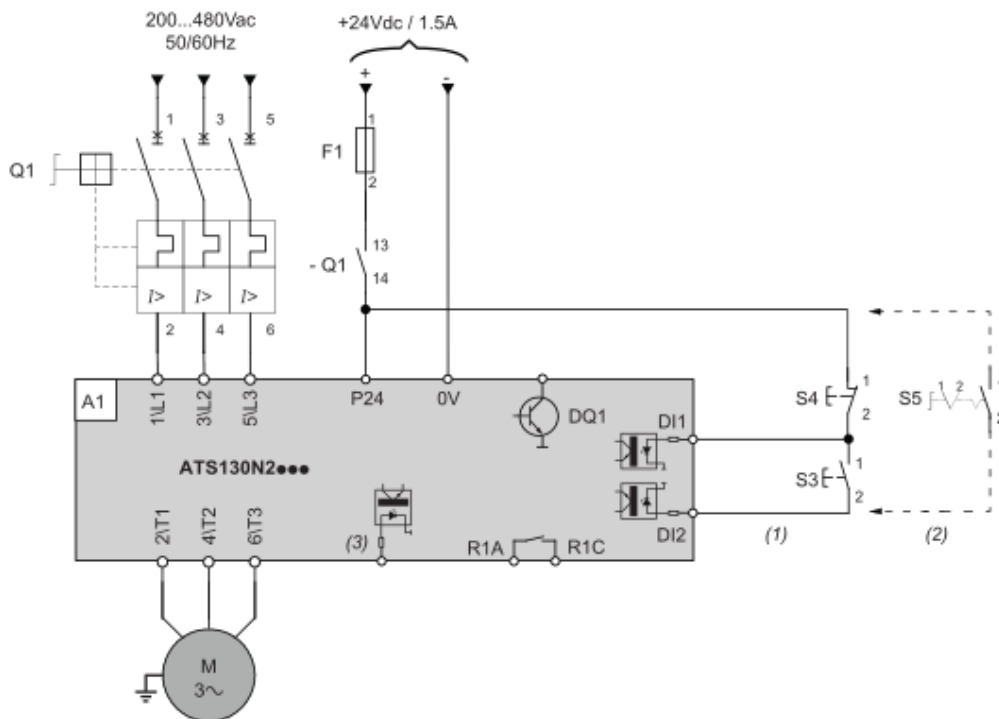
ATS130 Soft Motor Starter (ATS130 + TeSys Deca circuit breaker)





Connections and Schema

Wiring



**NOTE:** Set the potentiometer **Stop Time (s)** to 0 to get a freewheel.

- (1): 3-Wire control
- (2): 2-Wire control
- (3): BOOST

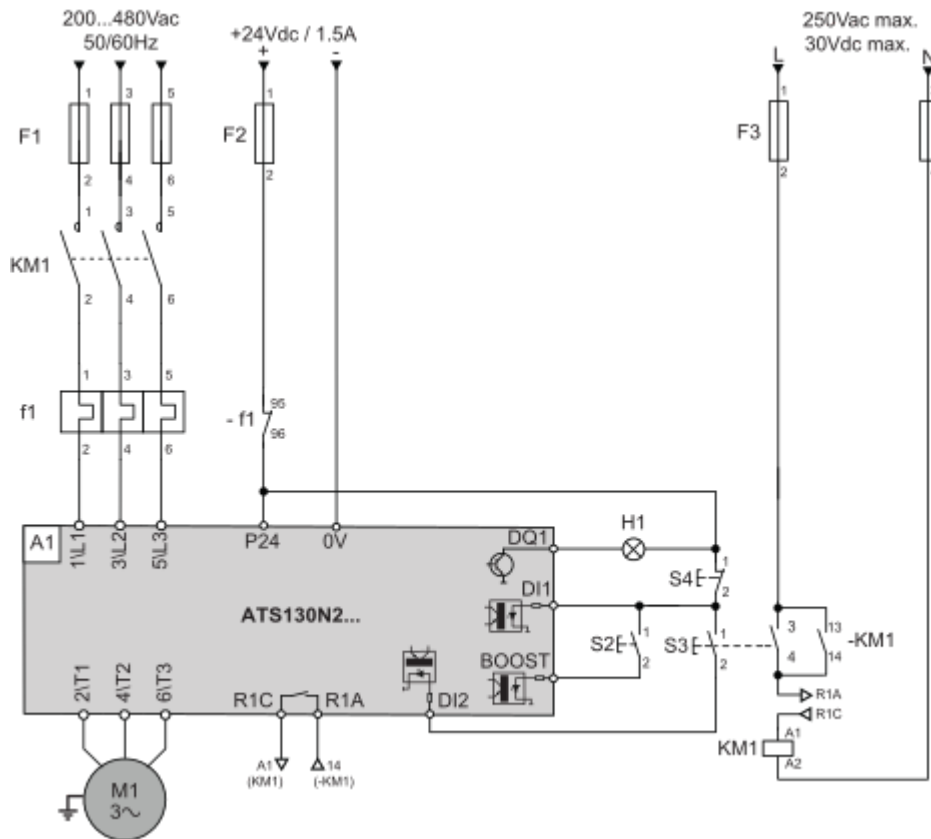
**Designation Component**

<b>Q1</b>	Circuit breaker
<b>- Q1</b>	Auxiliary contact of the circuit breaker Q1
<b>F1</b>	Fuse
<b>S3</b>	Normally open push-button
<b>S4</b>	Normally closed push-button
<b>S5</b>	Selector switch, 2 positions, normally open contact RUN/STOP command for 2-wire control

**Description**

Thermal-magnetic motor circuit breaker
Normally open auxiliary contact
Short circuit protection of the 24Vdc control supply
RUN order
STOP order and freewheel or controlled stop

Wiring



**NOTE:** Set the potentiometer **Stop Time (s)** to 0 to get a freewheel.

Designation	Component	Description
F1	Fuses	Short circuit protection device for the mains
KM1	Contactor	Line contactor
-KM1	Auxiliary contact of the contactor	Auxiliary contact of the contactor on the command part
f1	Motor overload relay	Thermal protection device for the motor
- f1	Auxiliary contact of the motor overload relay	Auxiliary contact of the motor overload relay F1 inserted in the control circuit
F2	Fuse	Short circuit protection of the 24Vdc control supply
F3	Fuses	Short circuit protection of the control supply
S2	Normally open contact push-button.	RUN command for BOOST command
S3	Normally open contact push-button.	RUN command for 3-wire control

Designation	Component	Description
S4	Normally closed contact push-button	STOP command for 3-wire control
H1	Light	Presence of current