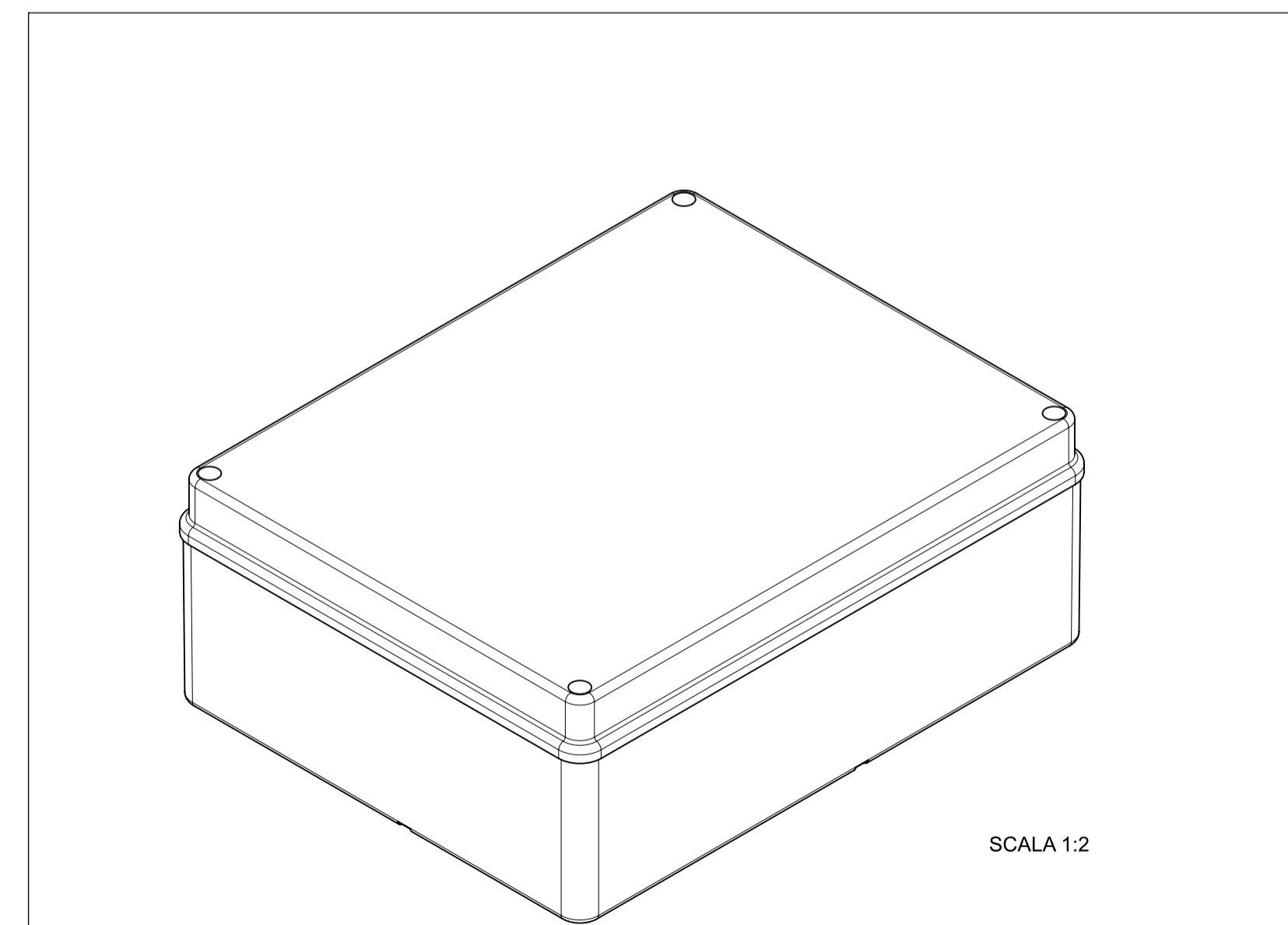
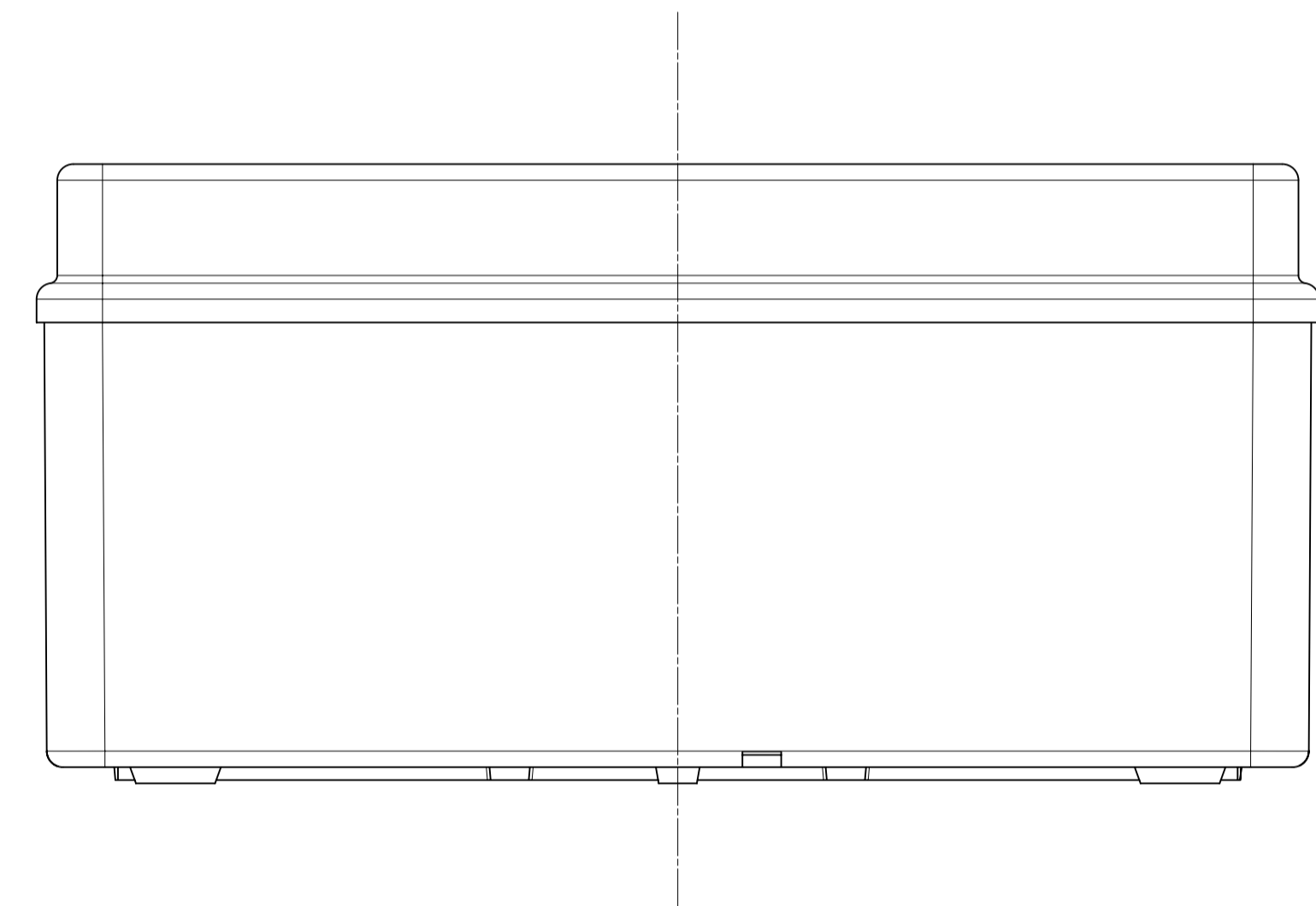
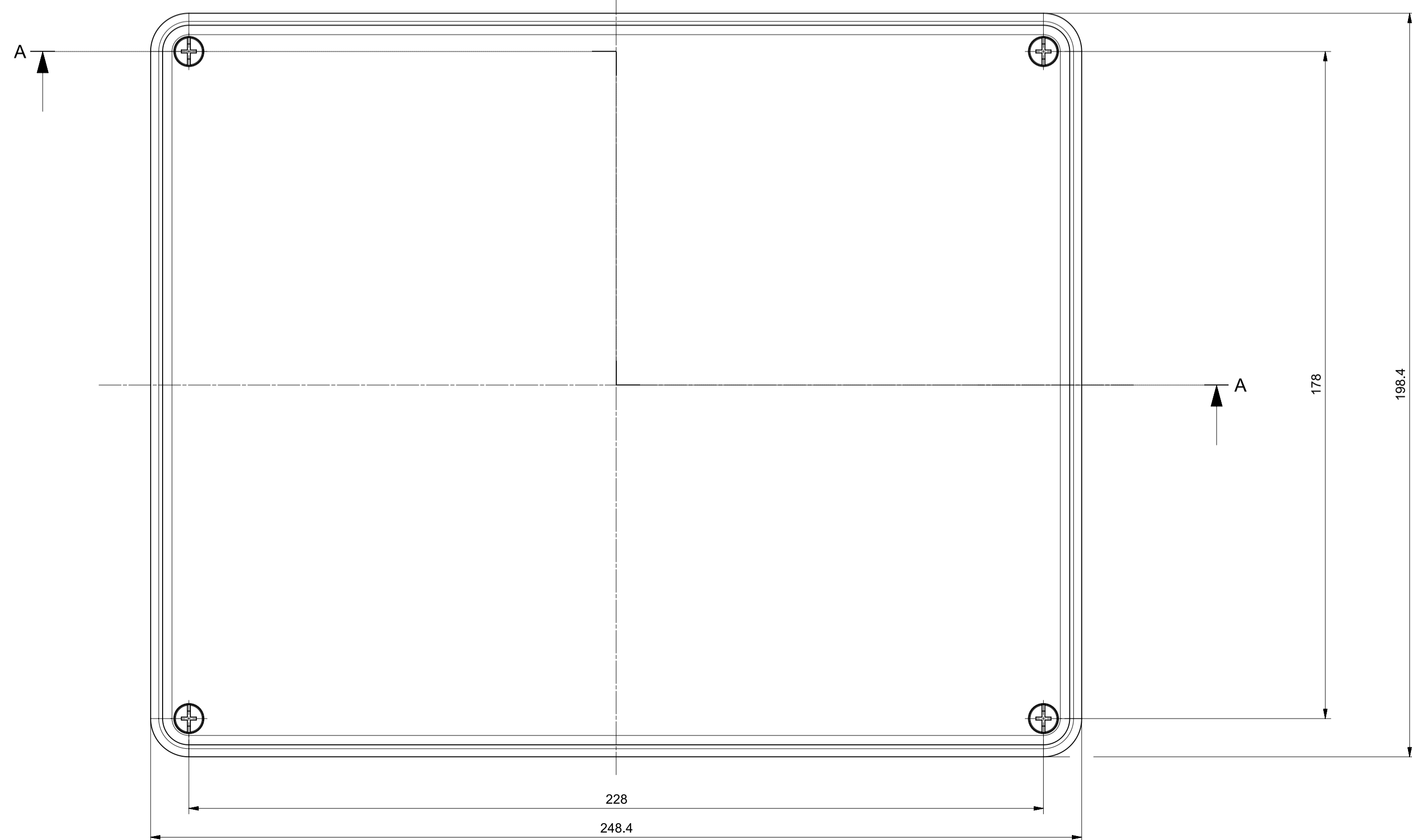
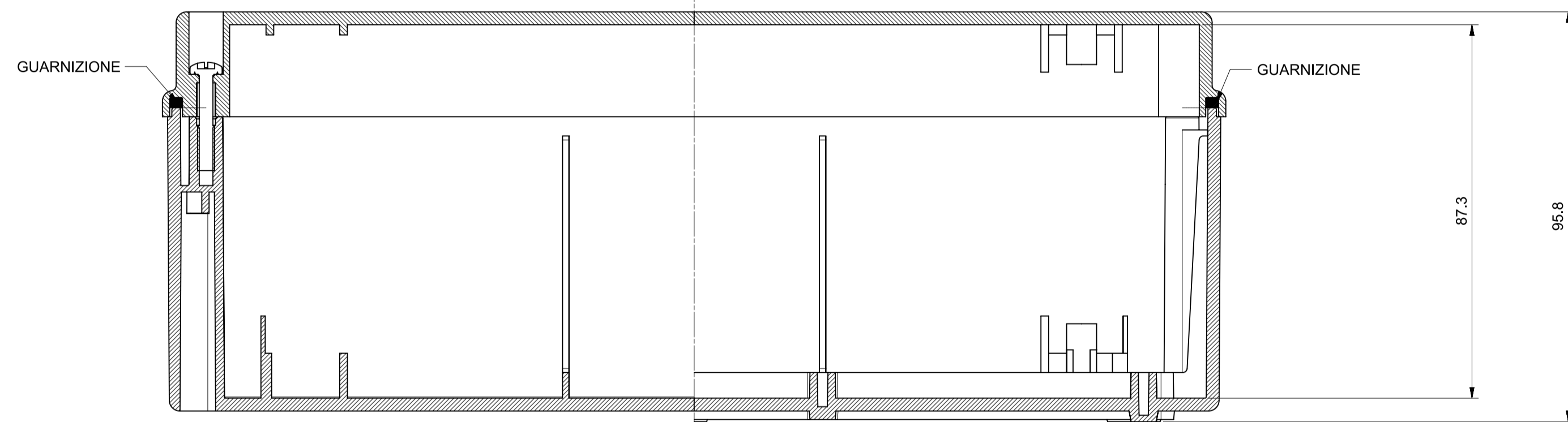


Sezione A-A



SCALA 1:2

At the end of the law, we reserve the ownership of this design may not be copied and transfer it to third parties or competitors SCAME S.p.A. PARRE - (Bergamo)	Format	A1	Scale	1:1	Mould N°	Drawn	SCAME
	Tolerances for linear and angular dimensions without indication of specific tolerances: JS13 / UNI 286-1:2010						Date
DESCRIPTION						Approved	
SCATOLA DERIVAZIONE 240x190 SENZA PASSACAVI IP56						CODE	4003377
						Sheet	1 / 1