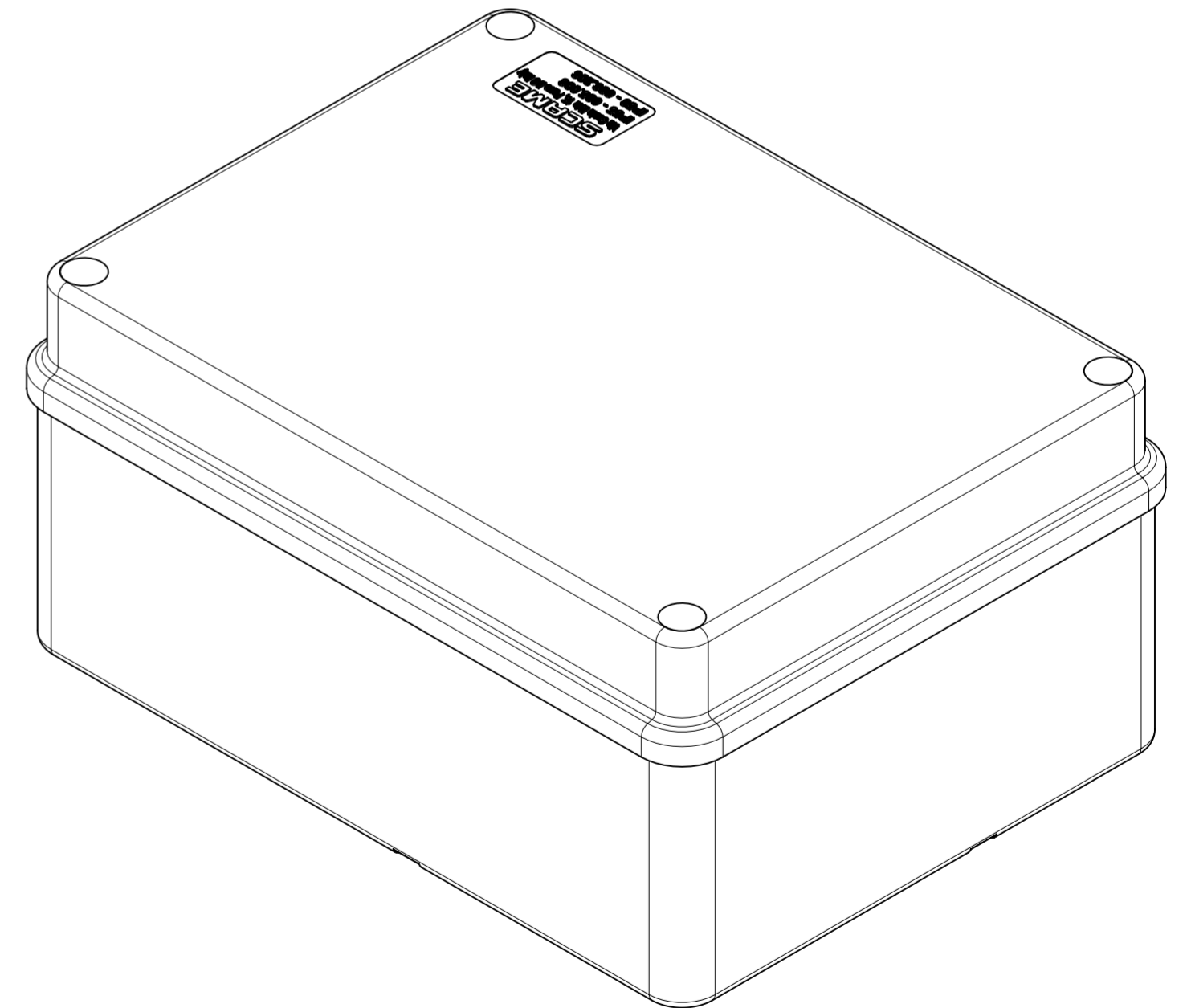
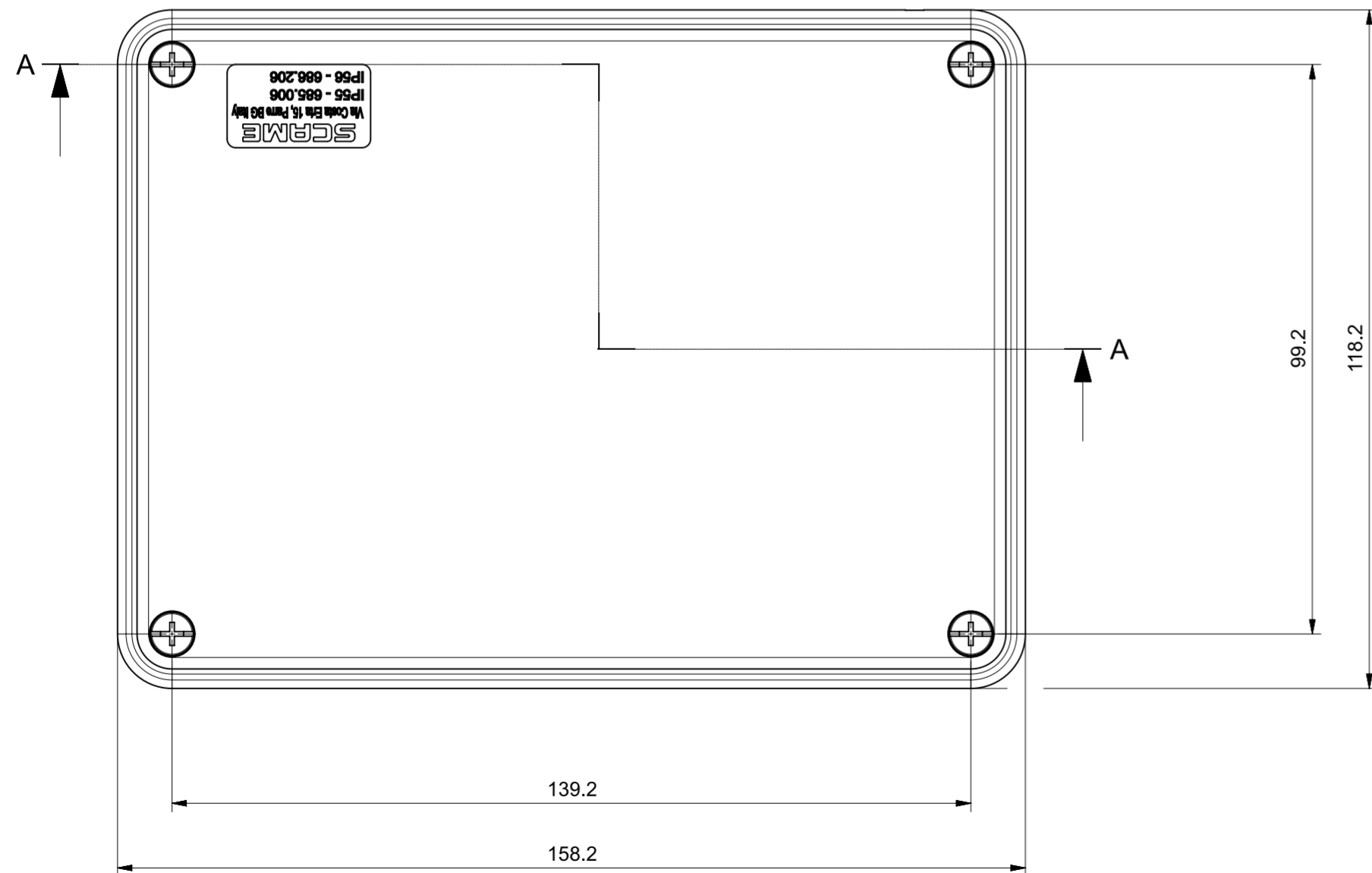
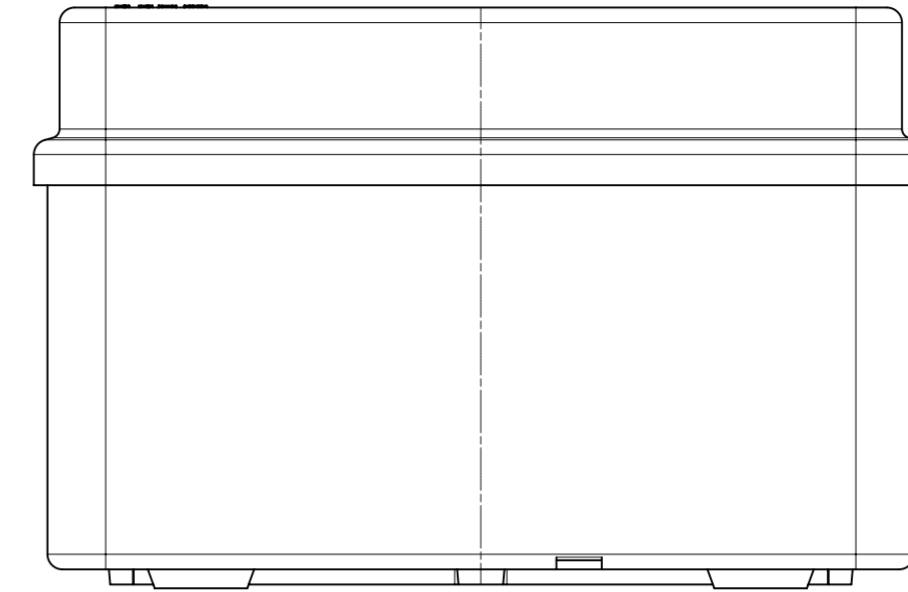
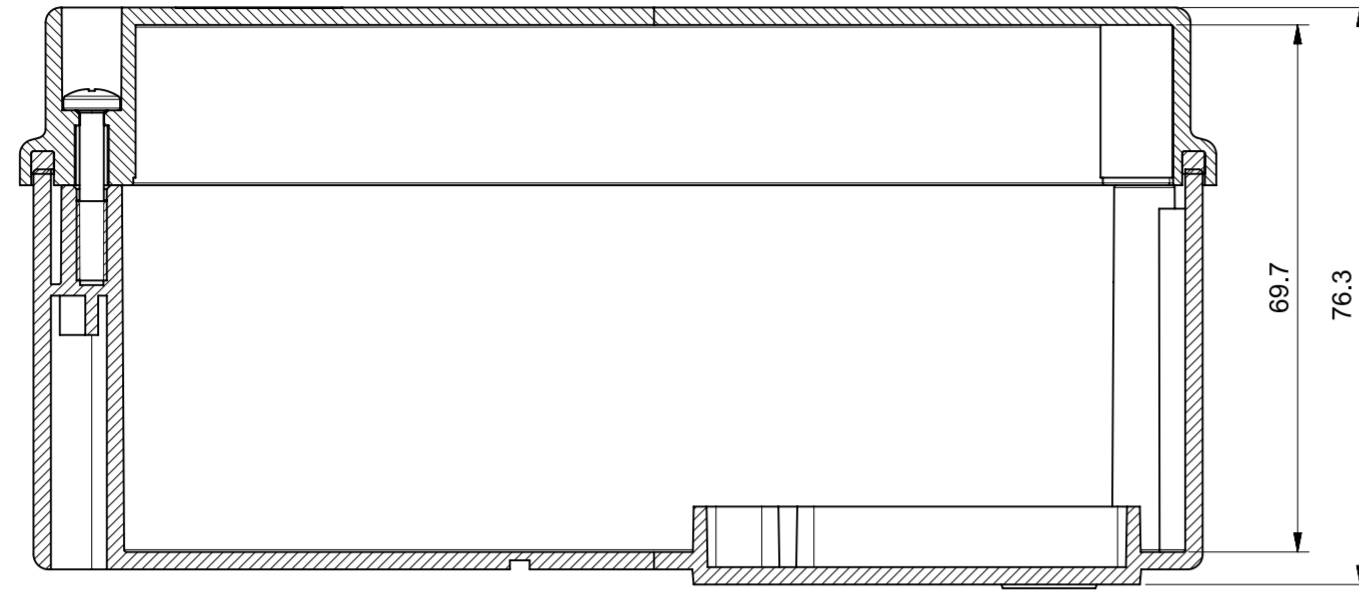


Sezione A-A



|   |   |    |       |     |          |          |             |
|---|---|----|-------|-----|----------|----------|-------------|
| Under the terms of the law we reserve the ownership of this design may not be copied and transfer it to third parties or competitors<br><br><b>SCAME</b><br>S.p.A.<br>PARRE - (Bergamo) | Format  | A2 | Scale | 1:1 | Mould N° | Drawn    | SCAME       |
|   | Tolerances for linear and angular dimensions without indication of specific tolerances: JS13 / UNI 286-1:2010 |    |       |     |          | Date     |             |
|   |   |    |       |     |          | Approved |             |
| DESCRIPTION   |   |    |       |     |          | CODE     | Sheet 1 / 1 |
| SCATOLA DERIVAZIONE 150x110 SENZA PASSACAVI IP56  |   |    |       |     |          | 4003375  |             |