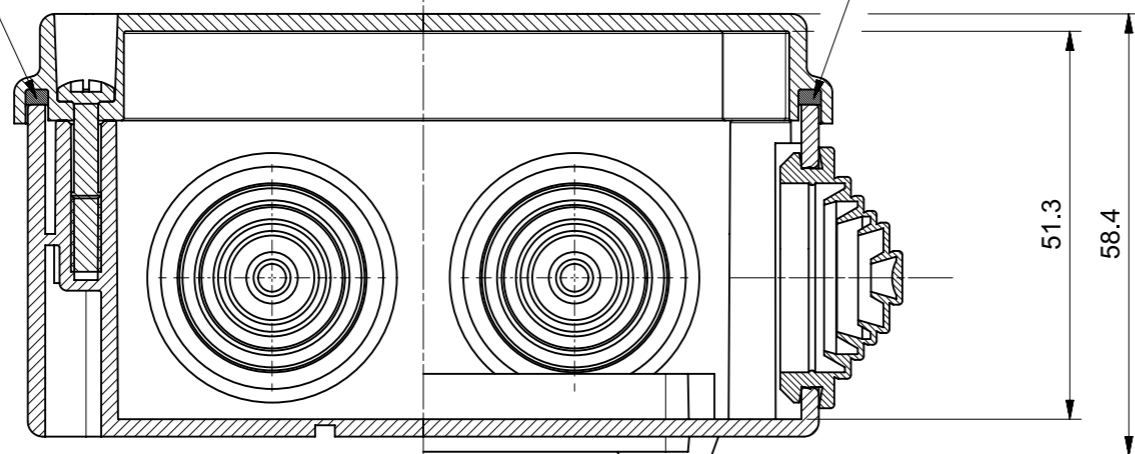


GUARNIZIONE

Sezione A-A

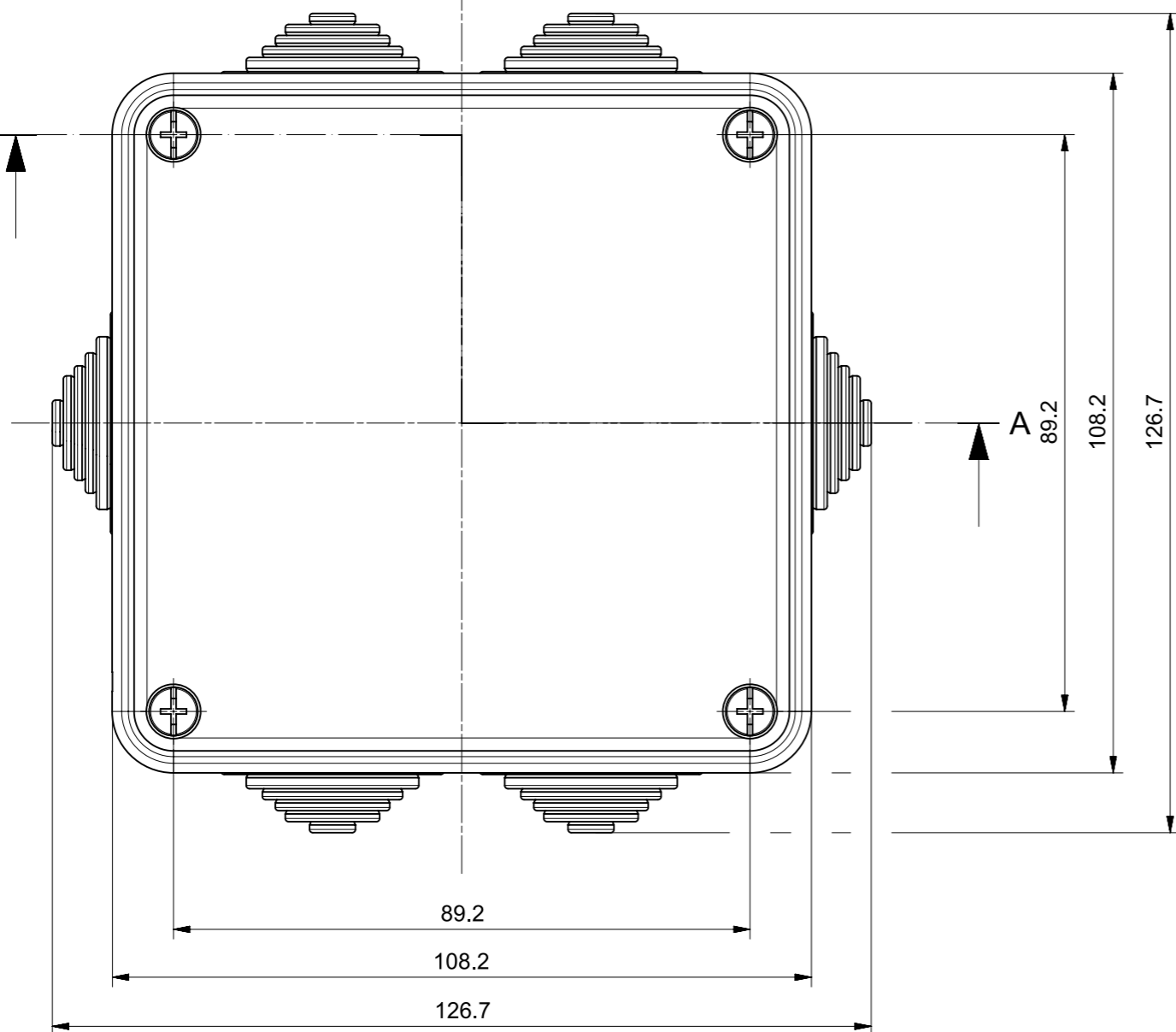
GUARNIZIONE



51.3

58.4

A



A

89.2

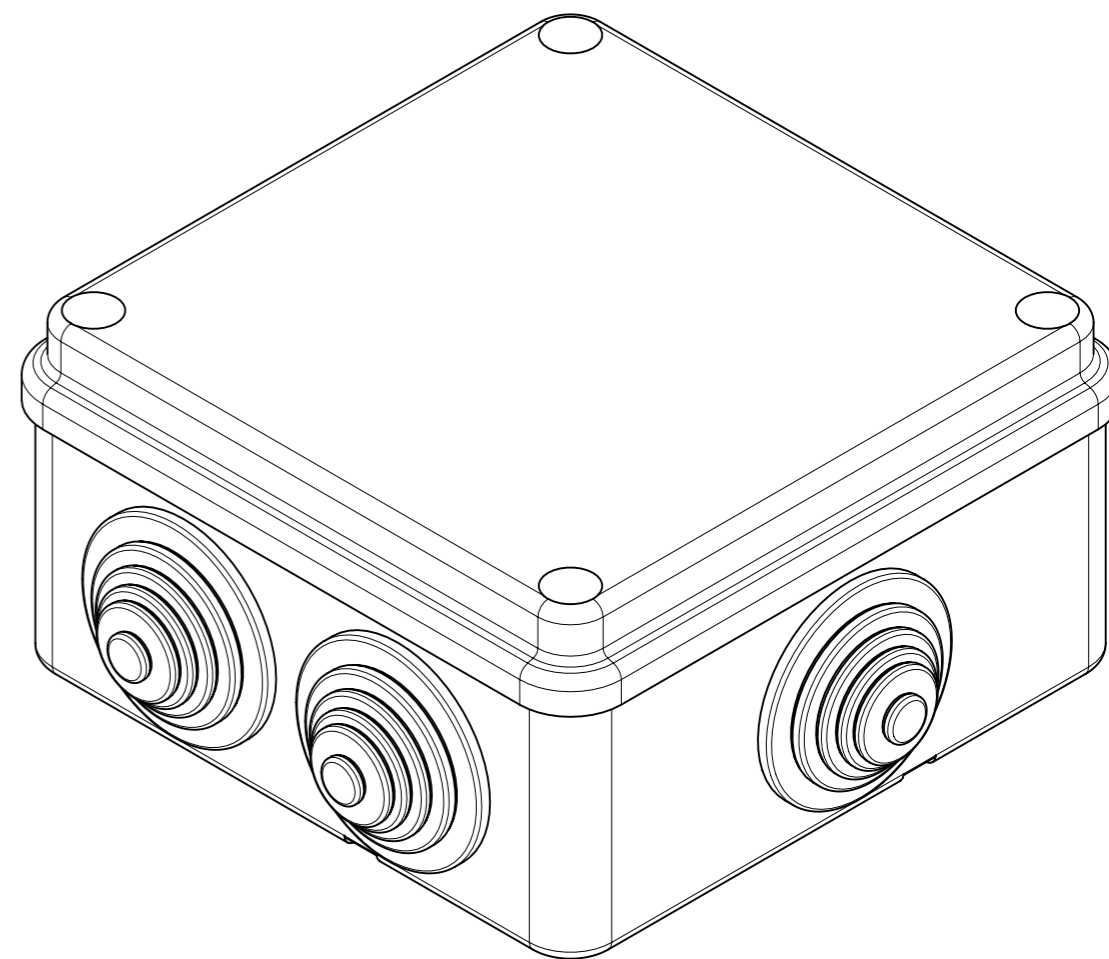
108.2

126.7

89.2

108.2

126.7



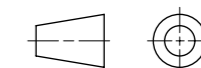
At the end of the law,
we reserve the ownership
of this design may not
be copied and transfer it
to third parties or competitors

Format A3

Scale 1:1

Mould N°

Tolerances for linear and angular dimensions without
indication of specific tolerances: JS13 / UNI EN20286



Drawn SCAME

Date

Approved

SCAME

S.p.A.
PARRE - (Bergamo)

DESCRIPTION

SCATOLA DERIVAZIONE 100x100 CON PASSACAVI IP55

CODICE Sheet 1 / 1

4002654