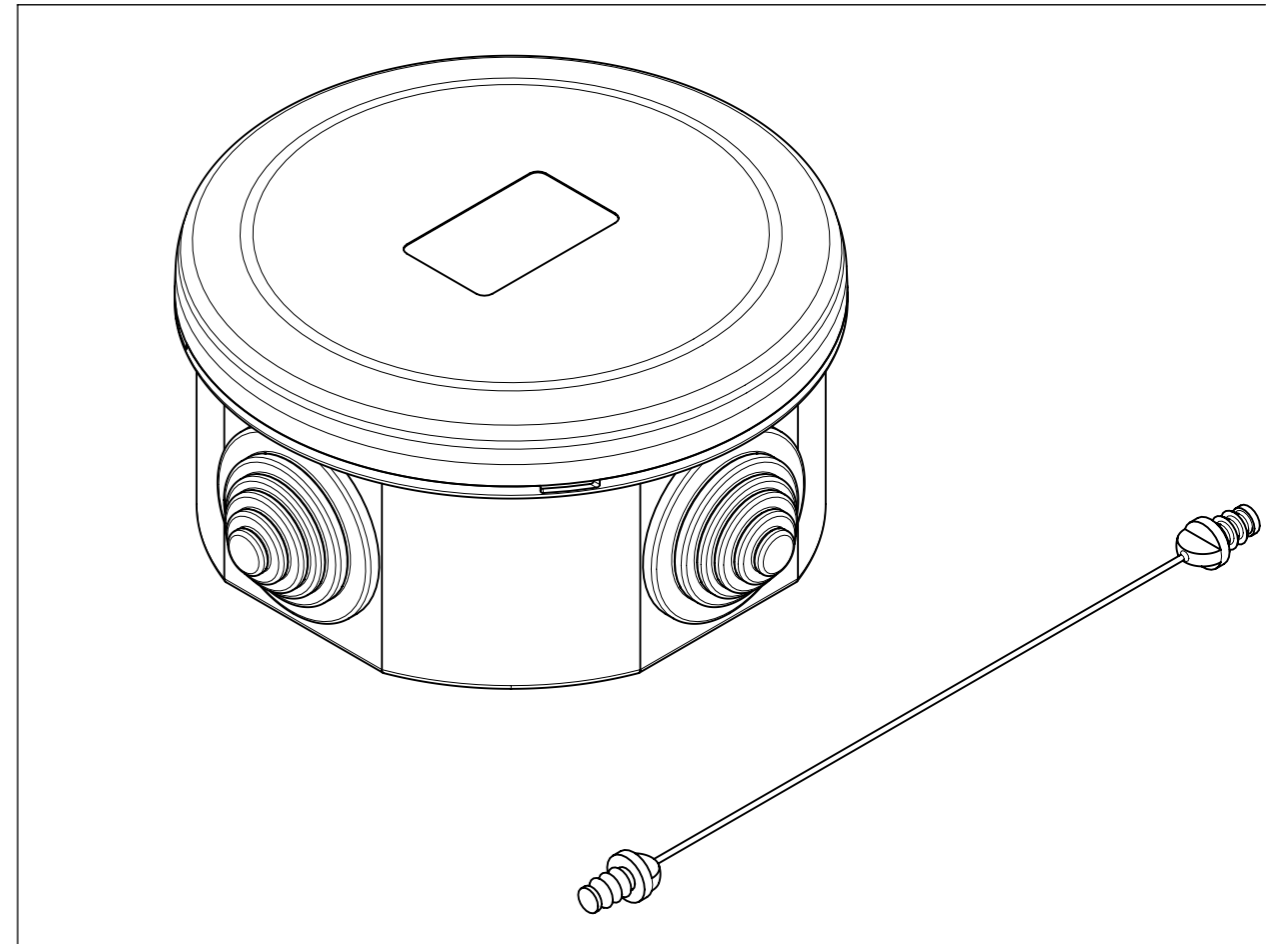
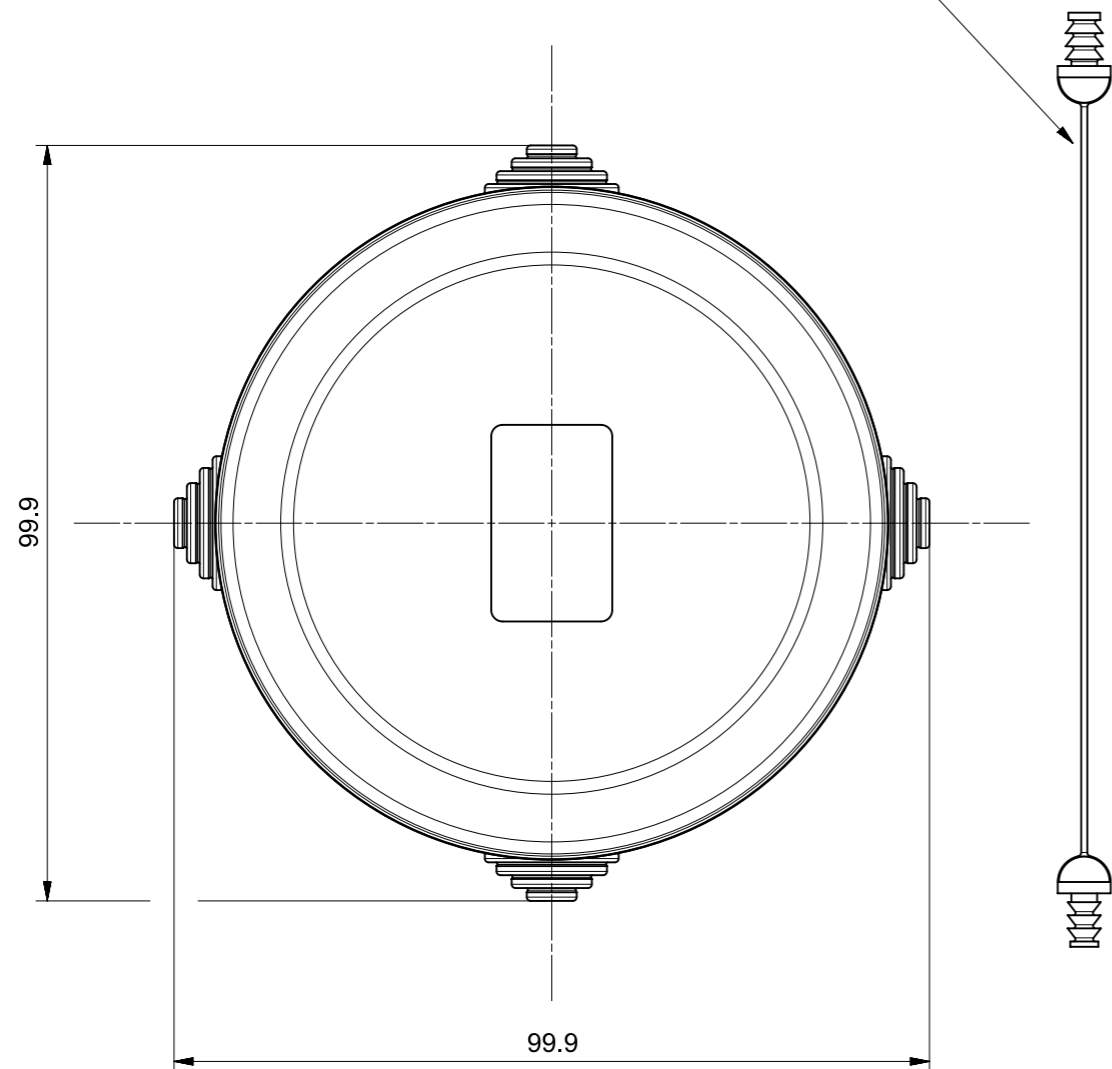


LEGACCIO DI COLLEGAMENTO  
BASE - COPERCHIO IN DOTAZIONE



<b>01</b>	4323	01-10-2018	SERIE CUBOX - ridenominazione sere			D. OPRANDI
<b>REV.</b>	<b>MOD. TECNICA</b>	<b>DATA</b>	<b>DESCRIZIONE</b>			<b>AUTORE</b>
At the end of the law, we reserve the ownership of this design may not be copied and transfer it to third parties or competitors		Format A3	Scale 1:1	Mould N°	Drawn	SCAME
Tolerances for linear and angular dimensions without indication of specific tolerances: JS13 / UNI 286-1:2010					Date	
					Approved	
<b>SCAME</b> S.p.A. PARRE - (Bergamo)		DESCRIPTION			CODICE Sheet 1 / 1	
		SCATOLA DERIVAZIONE Ø80 CON PASSACAVI IP55			4003400	