

# NH Plastic Bases

## FUSE HOLDERS, FUSE BASES AND SUPPORTS

### IEC NH FUSE BASES



NH fuse-bases are available for delivery in single-pole and three-pole designs and can be closely mounted in parallel rows. Each three-pole base is supplied with two phase-partition walls. NH fuse-links plug on covers which clip onto the contact springs can also be supplied for these bases.

Plastic fuse-bases sizes 00 to 3 have a single-part plastic base while size 4 has a metal baseplate with 2 ceramic bases.

The stable silver-plated contact springs are made of electrolytic copper and formed from one piece. Separate springing is provided by highly resilient captive steel springs, making the contact invulnerable to high thermal stress. Size 4 NH fuse-bases are designed for size 4 fuse-links with 8 mm contact blades.

A microswitch (250VAC/10A, terminal size 6.3x0.8mm) can be used with NH fuse-links with striker, it operates when fuse melts or where there is no fuse-link.

Indirect touch protection fuse bases: no microswitch possible.

Rated impulse withstand voltage  $U_{imp}$ : 6kV / 8kV (sizes 00 / 0-4)

### TECHNICAL DATA OVERVIEW

Voltage AC	1000 VAC
Voltage DC	1000 VDC
Ampere Range (A)	160 ... 630 A
Size per Standard	00, 0, 1, 2, 3, 4
Number of poles	1-pole, 2-poles, 3-poles, 4-poles

### FEATURES & BENEFITS

- Polyamide insulating bases
- Silver-plated contacts
- High-pressure spring contacts
- Screw or rail mounting
- Connecting cable: 50mm
- Multipolar bases possible by direct linkage in 00 size and with separator accessory in sizes 0, 1, 2 and 3
- Variety of options for protecting active parts through use of accessories: separating plates, separator, cover shields and fuse cover
- Dual cable-connection system on 00 size: by screw or clamp

### APPLICATIONS

- For fuse-links with rated voltages up to 1000VAC and 1000VDC

### STANDARDS

- IEC 60269 Compliance
- Dimensions in accordance with DIN 43620
- DIN VDE 0636-2, 0636-21



# NH Plastic Bases

## PRODUCT RANGE

### NH Plastic bases Size 00 - 160A (power acceptance: 12W)



BB00EPBT



BB002EP



BB003EPB



BB003SFSBLOC

Catalog number	Item number	Number of poles/ phases	Connection	Installation mode	Package	Weight
<b>Type EP (square contacts)</b>						
BB001EP	F215170	1	Screw	Screw	3	0.13 kg
BB00EPBT	T219805	1	Clamp	Screw	3	0.13 kg
BB001EPBR	F200795	1	Clamp	DIN rail	3	0.13 kg
BB001EPR	R216192	1	Screw	DIN rail	3	0.13 kg
BB001EPR-BR	G1060812	1	Screw / Clamp	DIN rail	3	0.13 kg
BB001EPBR-R	H1060813	1	Clamp / Screw	DIN rail	3	0.13 kg
BB002EP	A217212	2	Screw	Screw	2	0.29 kg
BB002EPB	D200793	2	Clamp	Screw	2	0.29 kg
BB002EPR	F218758	2	Screw	DIN rail	2	0.29 kg
BB002EPBR	T211594	2	Clamp	DIN rail	2	0.29 kg
BB003EPB	W201338	3	Clamp	Screw	1	0.4 kg
BB003EPVBLOC	W229122	3	Screw	Screw	1	0.4 kg
BB003EPBR	C212108	3	Clamp	DIN rail	1	0.4 kg
BB003EPRBLOC	V229121	3	Screw	DIN rail	1	0.4 kg
BB004EP	S219275	4	Screw	Screw	1	0.58 kg
BB004EPB	R211592	4	Clamp	Screw	1	0.58 kg
BB004EPR	Z223007	4	Screw	DIN rail	1	0.58 kg
BB004EPBR	M215682	4	Clamp	DIN rail	1	0.58 kg
<b>Indirect touch protection IP 20</b>						
BB001FS	M216694	1	Screw	Screw	3	0.19 kg
BB001RFS	S218240	1	Screw	DIN rail	3	0.19 kg
BB003SFSBLOC	T229120	3	Screw	Screw	1	0.53 kg
BB003RFSBLOC	S229119	3	Screw	DIN rail	1	0.53 kg

# NH Plastic Bases

## PRODUCT RANGE

### NH Plastic bases Size 0 - 160A (power acceptance: 25W)



BB01EP



BB01PP



BB01EPRFS

Catalog number	Item number	Number of poles/phases	Connection	Installation mode	Package	Weight
<b>Type EP (square contacts)</b>						
BB01EP	B213142	1	Screw	Screw	3	0.19 kg
BB01EPR	S216193	1	Screw	DIN rail	3	0.19 kg
BB02EP	C214661	2	Screw	Screw	2	0.42 kg
BB02EPR	P216696	2	Screw	DIN rail	2	0.42 kg
BB03EP	G215171	3	Screw	Screw	1	0.64 kg
BB03EPR	C217214	3	Screw	DIN rail	1	0.64 kg
BB04EP	Q216191	4	Screw	Screw	1	0.88 kg
BB04EPR	J217726	4	Screw	DIN rail	1	0.88 kg
<b>Type PP (clip contacts)</b>						
BB01PP	N216695	1	Screw	Screw	3	0.21 kg
BB01PPR	T218241	1	Screw	DIN rail	3	0.21 kg
BB02PP	B217213	2	Screw	Screw	2	0.46 kg
BB02PPR	G218759	2	Screw	DIN rail	2	0.46 kg
BB03PP	G217724	3	Screw	Screw	1	0.62 kg
BB03PPR	W219278	3	Screw	DIN rail	1	0.62 kg
BB04PP	R218239	4	Screw	Screw	1	0.85 kg
BB04PPR	H222486	4	Screw	DIN rail	1	0.85 kg
<b>Indirect touch protection IP20</b>						
BB01PPFS	X226708	1	Screw	Screw	3	0.31 kg
BB01EPRFS	G226717	1	Screw	DIN rail	3	0.31 kg
BB03PPFS	Z226710	3	Screw	Screw	1	0.91 kg
BB03EPRFS	J226719	3	Screw	DIN rail	1	0.91 kg

### NH Plastic bases Size 1 - 250A (power acceptance: 32W)



BB11PPR



BB13PPR



BB11PPRFS

Catalog number	Item number	Number of poles/phases	Connection	Installation mode	Package	Weight
<b>Type PP (clip contacts)</b>						
BB11PP	E218757	1	Screw	Screw	3	0.44 kg
BB11PPR	A223008	1	Screw	DIN rail	3	0.44 kg
BB12PP	F222484	2	Screw	Screw	2	0.95 kg
BB12PPR	G200796	2	Screw	DIN rail	2	0.95 kg
BB13PP	Y223006	3	Screw	Screw	1	1.5 kg
BB13PPR	Y201340	3	Screw	DIN rail	1	1.5 kg
BB14PP	X201339	4	Screw	Screw	1	1.9 kg
BB14PPR	H201855	4	Screw	DIN rail	1	1.9 kg
<b>Indirect touch protection IP20</b>						
BB11FS	V219806	1	Screw	Screw	3	0.7 kg
BB11PPRFS	P226724	1	Screw	DIN rail	3	0.7 kg
BB13PPRFS	Q226725	3	Screw	DIN rail	1	1.93 kg

# NH Plastic Bases

## PRODUCT RANGE



BB21PP



BB24PP

### NH Plastic bases Size 2 - 400A (power acceptance: 45W)

Catalog number	Item number	Number of poles/phases	Connection	Installation mode	Package	Weight
<b>Type PP (clip contacts)</b>						
BB21PP	F201853	1	Screw	Screw	3	0.53 kg
BB21PPR	E211075	1	Screw	DIN rail	3	0.53 kg
BB22PP	S211593	2	Screw	Screw	2	1.15 kg
BB22PPR	V211595	2	Screw	DIN rail	2	1.15 kg
BB23PP	B212107	3	Screw	Screw	1	1.75 kg
BB23PPR	D212109	3	Screw	DIN rail	1	1.75 kg
BB24PP	C213143	4	Screw	Screw	1	2.35 kg
BB24PPR	R212627	4	Screw	DIN rail	1	2.35 kg
<b>Indirect touch protection IP20</b>						
BB21PPFS	C226713	1	Screw	Screw	3	0.84 kg
BB21PPRFS	R226726	1	Screw	DIN rail	3	0.84 kg
BB23PPFS	D226714	3	Screw	Screw	1	2.22 kg
BB23PPRFS	S226727	3	Screw	DIN rail	1	2.22 kg

### NH Plastic bases Size 3 - 630A (power acceptance: 60W)

Catalog number	Item number	Number of poles/phases	Connection	Installation mode	Package	Weight
<b>Type PP (clip contacts)</b>						
BB31PP	W213643	1	Screw	Screw	3	0.72 kg
BB31PPR	X213644	1	Screw	DIN rail	3	0.72 kg
BB32PP	D214662	2	Screw	Screw	2	1.55 kg
BB32PPR	B214154	2	Screw	DIN rail	2	1.55 kg
BB33PP	H215172	3	Screw	Screw	1	2.36 kg
BB33PPR	F214664	3	Screw	DIN rail	1	2.36 kg
BB34PP	L215681	4	Screw	Screw	1	3.3 kg
BB34PPR	K215174	4	Screw	DIN rail	1	3.3 kg
<b>Indirect touch protection IP20</b>						
BB31PPFS	E226715	1	Screw	Screw	3	1.1 kg
BB31PPRFS	T226728	1	Screw	DIN rail	3	1.1 kg
BB33PPFS	F226716	3	Screw	Screw	1	2.22 kg
BB33PPRFS	V226729	3	Screw	DIN rail	1	2.22 kg

BB31PP



BB33PPR



BB33PPRFS

### NH bases Size 4 type P (clip contacts) fuse bases - 1250A

Catalog number	Item number	Number of poles/phases	Connection	Installation mode	Package	Weight
BB41P	W223004	1	Screw	Screw	1	2.23 kg



BB41P

# NH Plastic Bases

## PRODUCT RANGE



BB11PPMS

### NH Plastic bases for NH fuse-links with striker

Catalog number	Item number	Size	Rated current $I_n$	Number of poles/ phases	Connection	Installation mode	Package	Weight
<b>For NH fuse-links with striker</b>								
BB01PPMS	T216194	0	160 A	1	Screw	Screw / DIN rail	1	0.29 kg
BB11PPMS	Q216697	1	250 A	1	Screw	Screw / DIN rail	1	0.52 kg
BB21PPMS	D217215	2	400 A	1	Screw	Screw / DIN rail	1	0.61 kg
BB31PPMS	H218760	3	630 A	1	Screw	Screw / DIN rail	1	0.8 kg

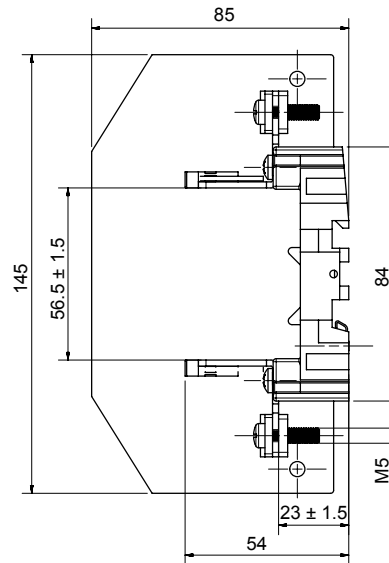
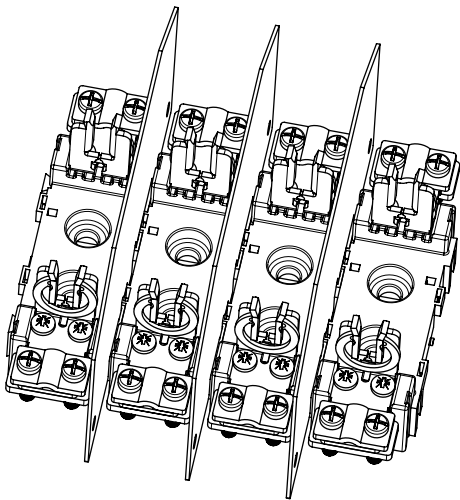
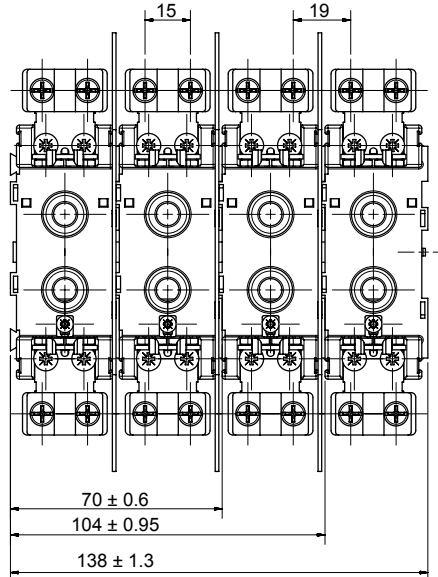
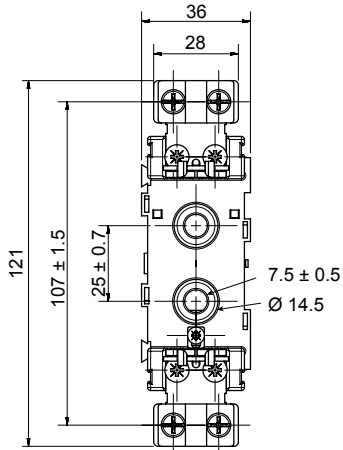
## TECHNICAL DATA

	Size 00	Size 0	Size 1	Size 2	Size 3	Size 4
Installation mode	M6 screw <sup>1</sup>	M6 screw <sup>1</sup>	M8-10 screw <sup>1</sup>	M8-10 screw <sup>1</sup>	M8-10 screw <sup>1</sup>	-
Tightening torque (on base)	4Nm	14-17Nm	14-17Nm	14-17Nm	14-17Nm	-
Standard cable terminal	M8 (screw) M5 (clamp)	M8	M10	M10	M12	M16
Tightening torque (max.)	12Nm (screw) 3,9Nm (clamp)	13,2Nm	32Nm	32Nm	40Nm	-
Tightening torque (recommended)	8-10Nm (screw) 3-3,9Nm (clamp)	8-10Nm	27-32Nm	27-32Nm	27-32Nm	-
<sup>1</sup> When fixing the base with screws, Mersen recommends the use of flat washers only. For bases size 1, size 2 and size 3, the maximum external diameter of these flat washers is 20mm.						

# NH Plastic Bases

## DIMENSIONS

### NH00-EP clamp



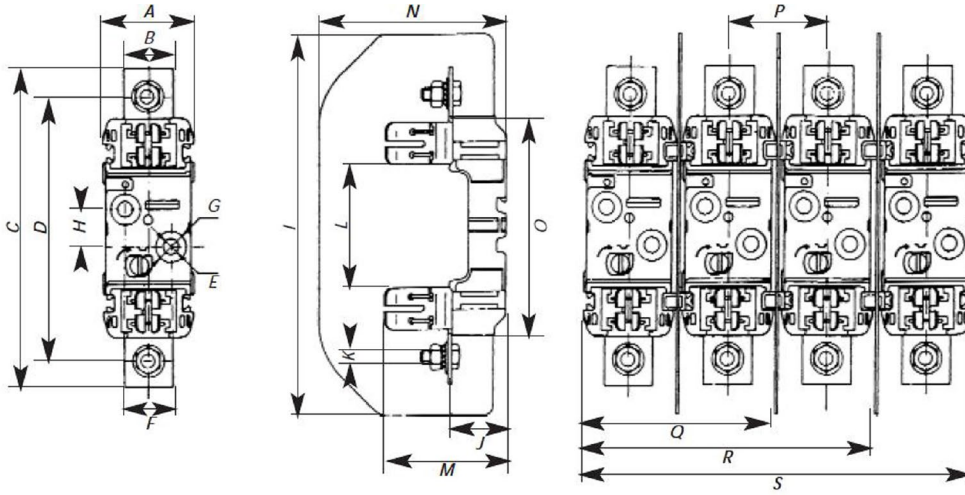
Dimensions in mm



# NH Plastic Bases

## DIMENSIONS

### Size 0 to 3



Size	A	B	C	D	E	F	G	H	I	J	K	L	M	N	O	P	Q	R	S
0-EP	46	20	168	150.5	7.5	-	14.5	25	185	29	M8	74	59	95	122	48.5	94	142	190
0-PP	46	25	168	150.5	7.5	-	14.5	25	185	29	M8	75	61	95	122	48.5	94	142	190
1-PP	60	32	209	176	10.5	30	20.5	25	250	35	M10	81	71	122.5	146	65.5	125.5	191	256.5
2-PP	60	35	225	201	10.5	30	20.5	25	250	35	M10	81	89	122.5	146	65.5	125.5	191	256.5
3-PP	60	40	241	210	10.5	30	20.5	25	270	35	M12	81	103	142.5	146	81.5	141.5	223	304.5

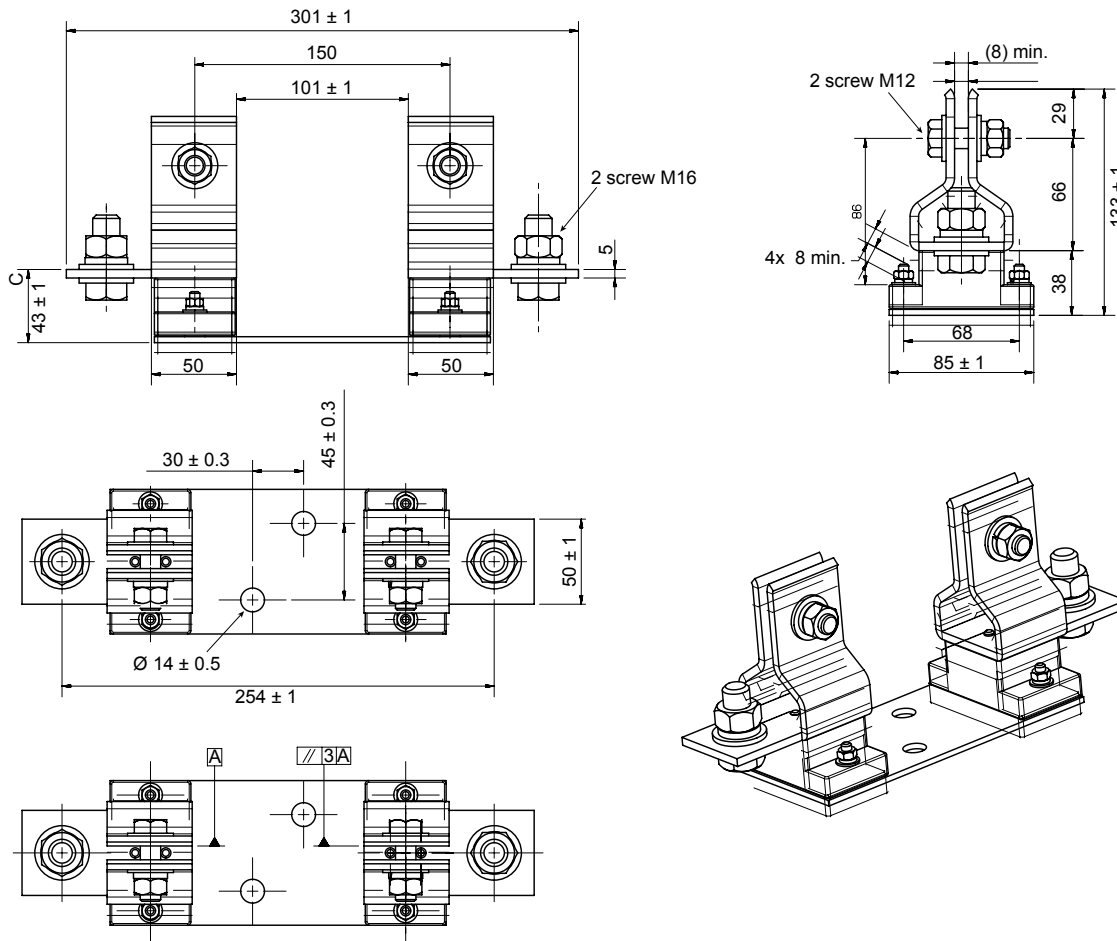
Dimensions in mm



# NH Plastic Bases

## DIMENSIONS

### NH4

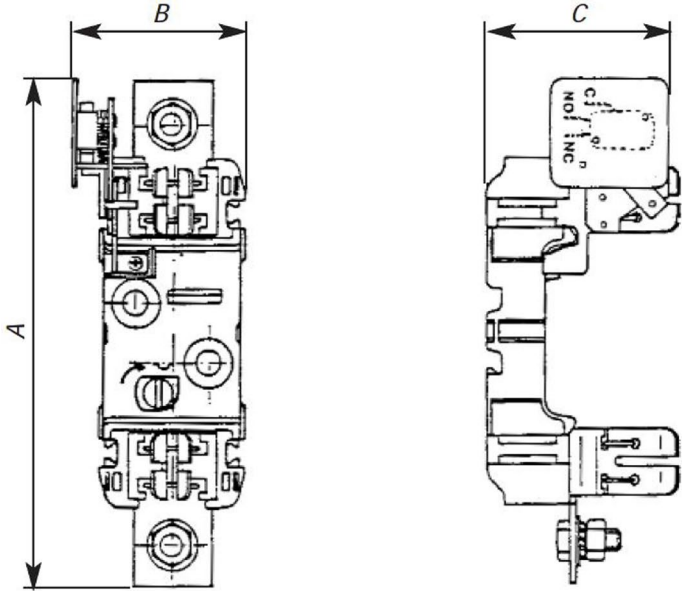


Dimensions in mm

# NH Plastic Bases

## DIMENSIONS

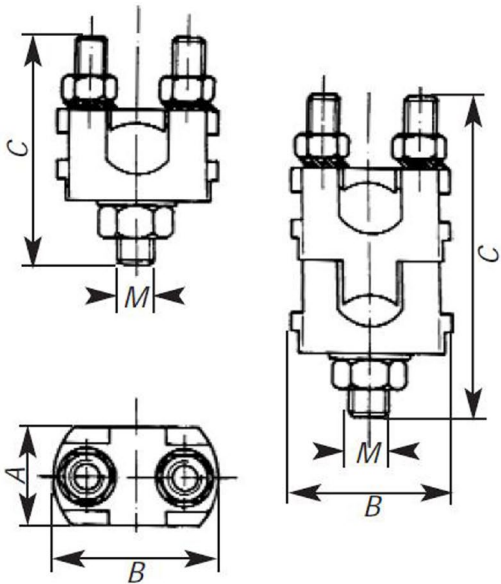
### Fuse-bases for HRC fuse-links NH with striker



Size	A	B	C
NH 0	192	64	66
NH 1	213	73	77
NH 2	222	73	82
NH 3	233	80	83

Dimensions in mm

### Terminal for NH Bases

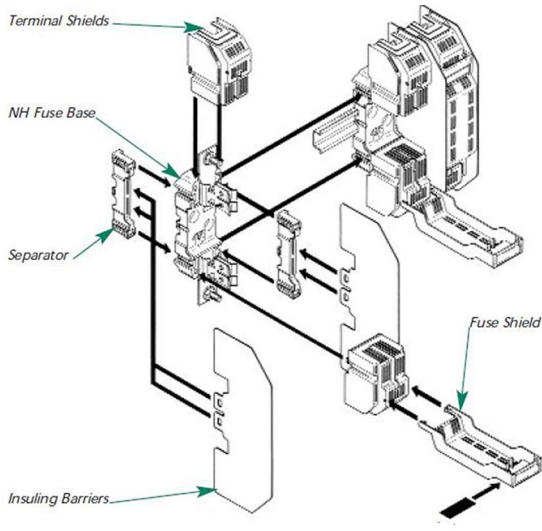


Reference	A	B	C	M
Q217755	18	26	34	6
A218270	24	35	52	8
N218788	26	41	58	10
A219305	36	53	68	12
B219835	18	26	39	6
P222515	24	35	82	8
F223036	26	41	84	10
B201366	36	53	98	12

Dimensions in mm

# NH Plastic Bases

## DIMENSIONS



Dimensions in mm

## ACCESSORIES



BB00TS

### Covers/shrouds for cable termination

Catalog number	Item number	Design	Package	Weight
BB00TS	M222513	Size 00	6	14.4 g
BB0TS	K200822	Size 0	6	24.1 g
BB1TS	L201881	Size 1	6	51.6 g
BB2TS	Y211621	Size 2	6	53.3 g
BB3TS	X212655	Size 3	6	0.1 kg



08019.000000

### Fused tee off adapter facility

Catalog number	Item number	Design	Package	Weight
08019.000000	E213053	fused tee off adapter facility – version with short contacts for NH fuse base NH00	3	0.41 kg



BB00COV

### Covers/protective covers for tags

Catalog number	Item number	Design	Package	Weight
BB00COV	G213170	Size 00	3	20 g
BB0COV	F214181	Size 0	3	28.3 g
BB1-2COV	K214691	Size 1-2	3	48.3 g
BB3COV	R215709	Size 3	3	58 g

## ACCESSORIES



BB00CL

### Phase barriers

Catalog number	Item number	Design	Package	Weight
BB001BLOC	B233865	Size 00-3 poles	2	20 g
BB00CL	W212654	Size 00	2	18.7 g
BB0CL	Z213669	Size 0	2	20 g
BB1-2PPCL	J214690	Sizes 1 & 2	2	45 g
BB3PPCL	Q215708	Size 3	2	65 g

### Varieties of cable termination

Catalog number	Item number	Design	Package	Weight
BORNEABF150	N218788	1 cable Size min. - max.: 16mm - 150mm	30	0.17 kg
BORNEABF150D	F223036	2 cables Size min. - max.: 25mm - 150mm	20	0.27 kg
BORNEABF240	A219305	1 cable Size min. - max.: 50mm - 240mm	15	0.36 kg
BORNEABF240D	B201366	2 cables Size min. - max.: 95mm - 240mm	5	0.60 kg
BORNEABF50D	B219835	2 cables Size min. - max.: 6mm - 50mm	60	0.51 kg
BORNEABF95	A218270	1 cable Size min. - max.: 10mm - 95mm	50	0.10 kg
BORNEABF95D	P222515	2 cables Size min. - max.: 10mm - 95mm	30	0.17 kg



MSBB31

### Auxiliary Switches

Catalog number	Item number	Rated current I <sub>n</sub>	Design	Package	Weight
MSBB01	X219279	160 A	Size 0	1	39 g
MSBB11	Y219809	250 A	Size 1	1	41 g
MSBB21	J222487	400 A	Size 2	1	41 g
MSBB31	B223009	630 A	Size 3	1	33 g



BBPAKO

### Multipole assembly

Catalog number	Item number	Design	Package	Weight
BBPAK0	V216724	Size 0	2	7.5 g
BBPAK1-2	N217753	Size 1-2	2	20 g
BBPAK3	M218787	Size 3	2	27.5 g