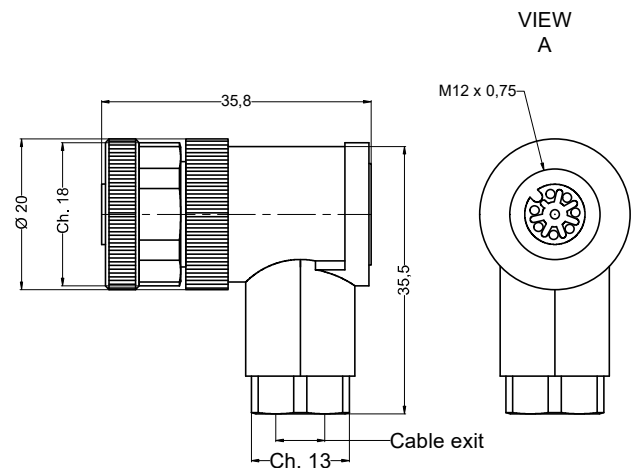
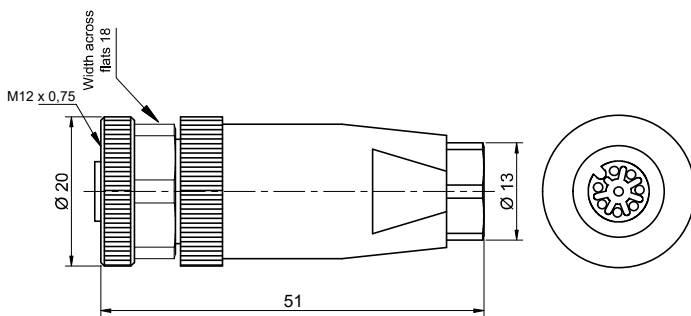
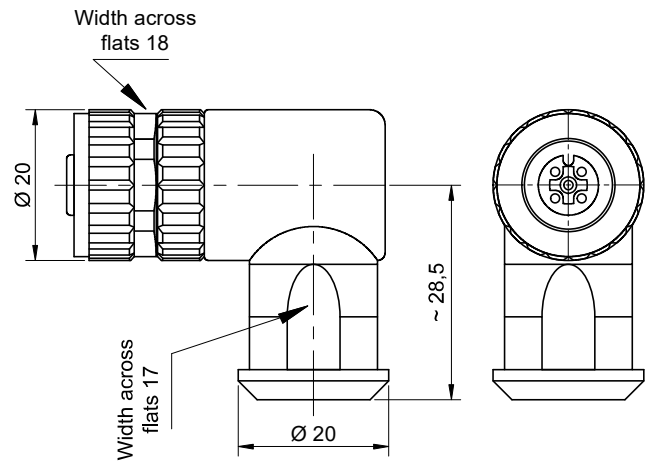
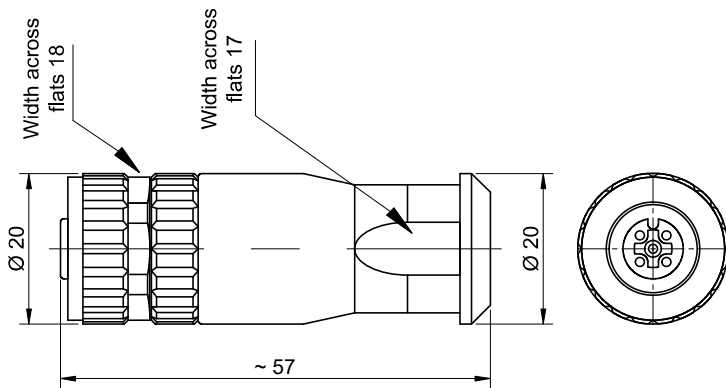


disegni scala 1:1



CARATTERISTICHE GENERALI

materiale contatti:
CuZn dorato sopra nichelatura
CuSn dorato sopra nichelatura (8P)

grado di protezione:
IP67

temperatura di lavoro:
-30°C + 85°C
-40°C + 85°C (8P)

pressacavo:
≤ AWG20

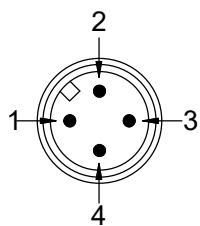
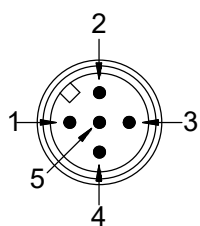
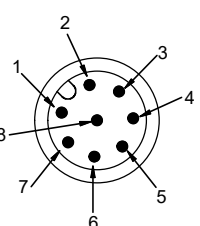
GENERAL FEATURES

contact material:
Au over Ni plate CuZn
Au over Ni plate CuSn (8P)

protection class:
IP67

temperature range:
-30°C + 85°C
-40°C + 85°C (8P)

wire cross section:
≤ AWG20

Vista frontale Face view	Chiave/poli Coding/poles	Tensione Voltage (V)	Corrente max Max current (A)	Colore testina Housing color
	A/4	250	4	Nero Black
	A/5	60	4	Nero Black
	A/8	30	2	Nero Black

CODIFICA CODICE / CODING CODE

N Housing color	12 Family	FD Connector type	5 Pin no.	CC Identification field attachable connector
N ... Black	12 ... M12	FD ... Straight female FA ... Angled female	4 ... 4 pin 5 ... 5 pin 8 ... 8 pin	