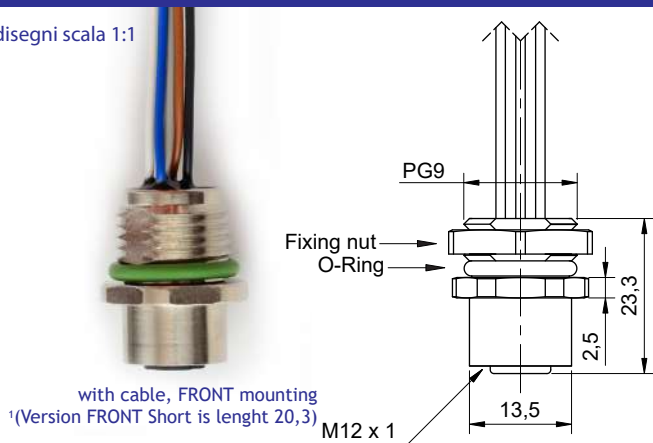


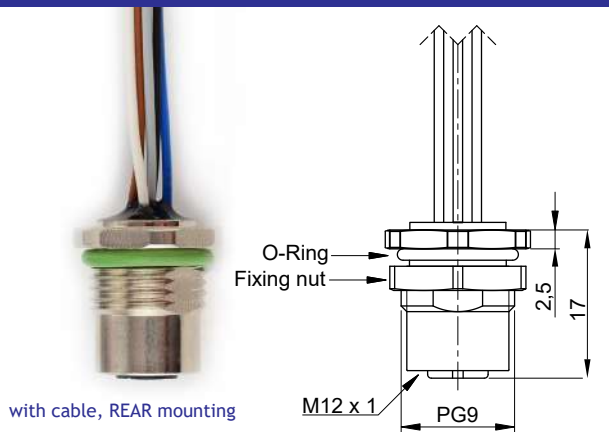
Connettore circolare da pannello:
con cavo, a saldare, per circuito
stampato e a pressione; possibilità di
personalizzare il connettore.

Circular panel connector: with
cable, to solder, for printed circuit
board and to push; Connector
customized.

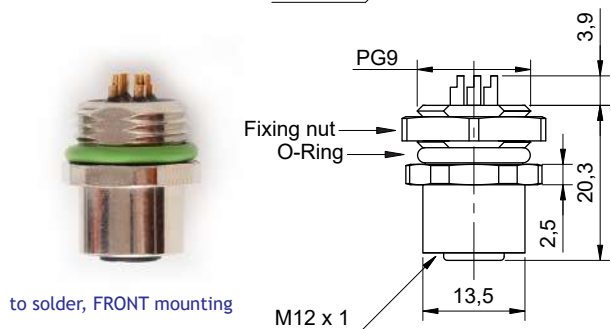
disegni scala 1:1



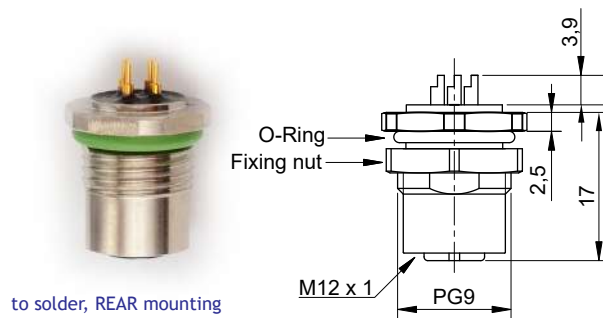
with cable, FRONT mounting
(Version FRONT Short is length 20,3)



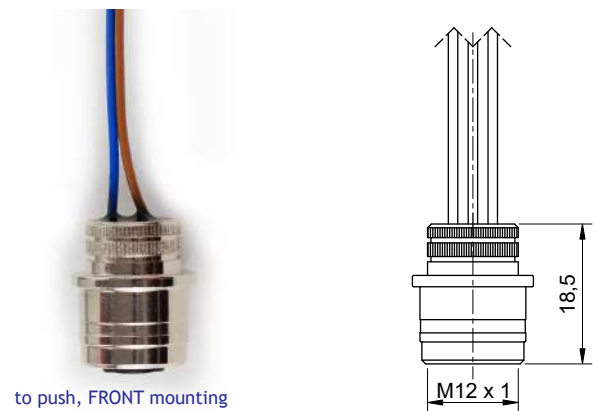
with cable, REAR mounting



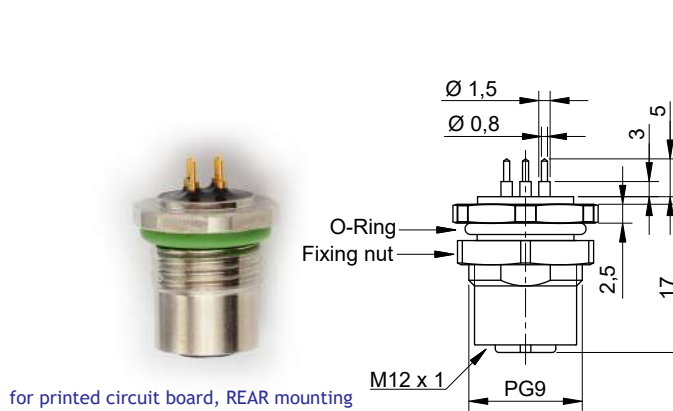
to solder, FRONT mounting



to solder, REAR mounting



to push, FRONT mounting



for printed circuit board, REAR mounting

CARATTERISTICHE GENERALI

materiale contatti:
CuZn dorato sopra nichelatura

materiale ghiera:
Ottone nichelato

grado di protezione:
IP68

temperatura di lavoro:
-25°C + 80°C

GENERAL FEATURES

contact material:
Au over Ni plate CuZn

cupling nut material:
CuZn, Ni plated

protection class:
IP68

temperature range:
-25°C + 80°C