


ROCKER SWITCHES

PRODUCT NUMBER 1802.3102



TECHNICAL DATA

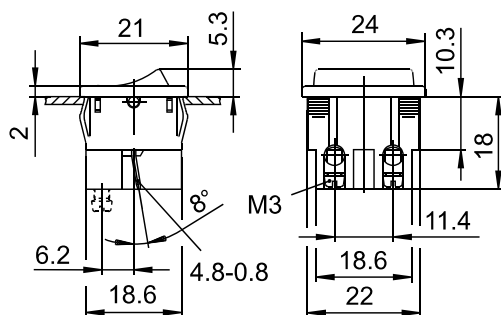
Product number	1802.3102	
Actuator color / printing		
Product family	Rocker switches	
Actuation type	direct	
Weight	7.556 g	
Switch on continuous current (capacitive)	5 A	
Inrush current (capacitive)	50 A	
ROHS conform	yes	
Switching function	ON / OFF switch (DPST)	
Material fixed contact	Cu silver-plated	
Number of poles	2 - pole	
connections	Quick-connect terminal, 4.8 x 0.8 Socket terminal, M3	
Mechanical life endurance	10E4	
Rating IEC	10 (4) A 250 V AC 1E4 6 (4) A 250 V AC 5E4	
Rating North America	6 A 125 V AC 1/4 HP 6 A 250 V AC 1/2 HP	
Contact resistance (new condition)	< 100 (1 A 12 V DC) mOhm	
Insulation resistance (new condition)	> 100 (500 V DC) MOhm	
Voltage strength at 250 V	→ function insulation / basic insulation	1 500 V
	→ reinforced insulation	3 000 V
	→ small contact distance	500 V
Proof tracking	250 PTI	
Insulation spacing	acc. to EN 61058 for reinforced or double insulation	
Protection type	→ Connection	IP 40
	→ Actuator	IP 40
Ambient temperature	→ connection side	-20 °C ... +100 °C
Ambient temperature	→ Actuation side min.	-20 °C ... +55 °C
Storage temperature	-40 °C ... +80 °C	

Flammability	UL 94 V-2	
Glow wire test temperature	850 °C	
Actuators and additional actuators	rocker: PA, black, identification white	
Housing description	housing: PA, black	
Connection surface	→ bearing connection → external connection	silver plated silver plated
Contact material	Ag	
Contact distance	≥ 3 mm	
Rating Code UL	R 30	
Contact type	lifting contact	
Plug force of the terminals	≤ 80 N	
Approval marks	CSA / ENEC 05 / UL	
Suitable for appliances of protection class	II	
Type of fastening	Snap fastening	
Degree of pollution	3	
Stock version	●	

PRODUCT IMAGE



DRAWINGS



	X	Y	Z
0.75 ... 1.25	19.2 -0.1	21.9 +0.1	
1.25 ... 2	19.4 -0.1	21.9 +0.1	
2 ... 3	19.8 -0.1	21.9 +0.1	

X = wall thickness

Technical changes reserved. Dimensions are not binding.
Detailed specifications available on request.

Marquardt GmbH · Schloss-Straße 16 · 78604 Rietheim-Weilheim · Germany
Phone: +49 (0) 7424 / 99-0 · Fax: +49 (0) 7424 / 99-2399 · www.marquardt.com · marquardt@marquardt.de