


52101965	<b>DATA SHEET</b>	
Valid from: 23.11.2023	<b>SKINDICHT® MR-M hexagonal</b>	

The SKINDICHT® MR-M hexagonal is a brass reducer with guide way for O-Ring (thread undercut). The Reducers enables the use of cable glands with smaller outer threads than the existing threaded holes on machinery, devices and housings.



### Components:

Material	Brass, nickel-plated Brass lead free, nickel-plated
O-ring	NBR (on request FKM)


### Technical features:

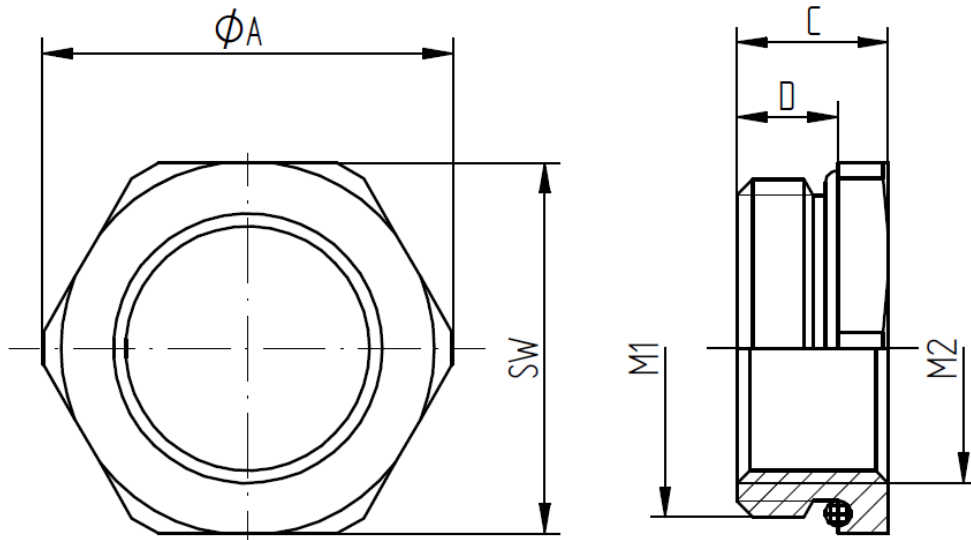
External thread	M16x1.5 up to M80x2 acc. to EN 60423
Internal thread	M12x1.5 up to M63x1.5 acc. to EN 60423
Temperature range	-30 °C up to +100 °C
Protection class	IP68 – 5 bar, test acc. to EN 60529

### Norm references:



Creator: M. Wegerer /PDP Released: DAMU1/PDP	Document: DB52101965EN Version: 09	Page 1 of 2
---	---------------------------------------	-------------

52101965	<b>DATA SHEET</b>	
Valid from: 23.11.2023	<b>SKINDICHT® MR-M hexagonal</b>	



External thread M1	Internal thread M2	SW [mm]	Ø A [mm]	C [mm]	D [mm]	Article No.	
						Brass	Brass lead free
M16x1,5	M12x1,5	18	20,2	8,5	5,5	52101965	52101965LF
M20x1,5	M16x1,5	22	24,4	9	6	52101966	52101966LF
M25x1,5	M16x1,5	28	31,2	10	6,5	52101967	52101967LF
M25x1,5	M20x1,5	28	31,2	10	6,5	52101968	52101968LF
M32x1,5	M16x1,5	36	40	11,5	8	52101969	52101969LF
M32x1,5	M20x1,5	36	40	11,5	8	52101972	52101972LF
M32x1,5	M25x1,5	36	40	11,5	8	52101973	52101973LF
M40x1,5	M25x1,5	43	47,5	12,5	8,5	52101974	52101974LF
M40x1,5	M32x1,5	43	47,5	12,5	8,5	52101975	52101975LF
M50x1,5	M40x1,5	54	58	14	10	52101976	52101976LF
M63x1,5	M50x1,5	67	73,5	14	9,5	52101977	52101977LF
M75x1,5	M63x1,5	80	90	17	11	52101979	-
M80x2	M63x1,5	85	93,5	23	15	52006563	-

For more information please see our current catalogue. Please do not hesitate to contact our laboratory if there are any questions regarding resistance against aggressive agents and special oil.

Creator: M. Wegerer /PDP Released: DAMU1/PDP	Document: DB52101965EN Version: 09	Page 2 of 2
---	---------------------------------------	-------------