

52104450	<b>DATA SHEET</b>	
Valid from: 24.11.2023	<b>SKINDICHT® ME-M</b>	

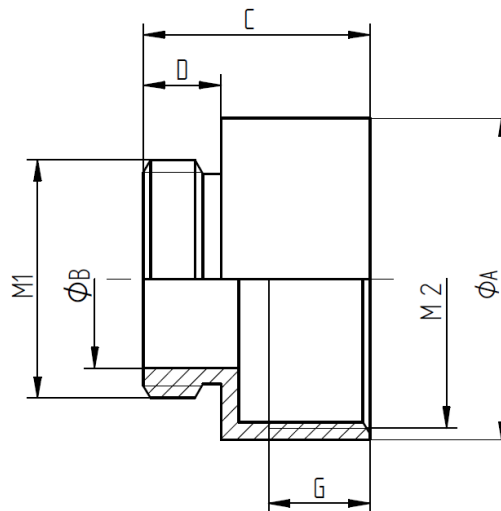
The SKINDICHT® ME-M enlargers enable the use of the cable glands with bigger outer thread than the already existing thread openings on machines, devices and housings.



**Technical features:**

Material	Brass, nickel-plated Brass lead free, nickel plated
External tread	M12x1.5 up to M63x1.5 acc. to EN 60423
Internal thread	M16x1.5 up to M75x1.5 acc. to EN 60423
Temperature range	-60°C up to +200°C

**Norm references:**

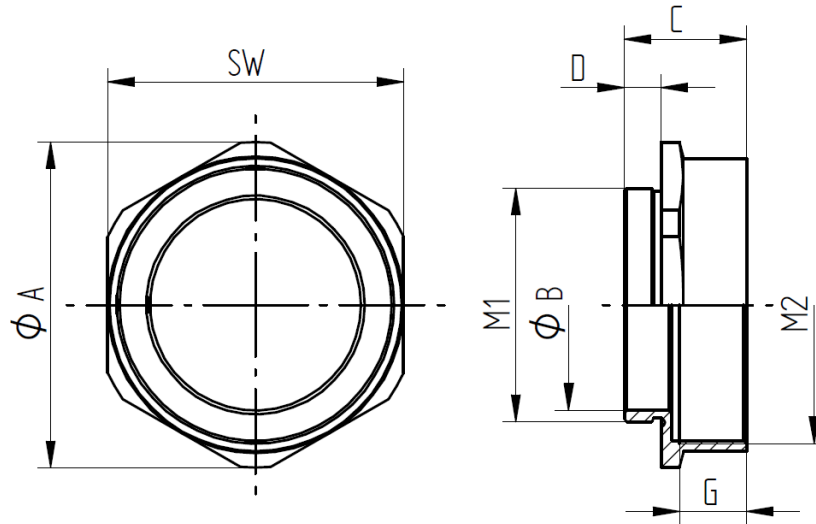


**SKINDICHT® ME-M**

Thread		Diameter		Length C mm	Thread length		Part No.	
M1	M2	Ø A mm	Ø B mm		D mm	G mm	Brass	Brass Lead Free
M12x1,5	M16x1,5	18	8	15	5	7,5	52104450	52104450LF
M16x1,5	M20x1,5	22	12	17,5	6	8,5	52104452	52104452LF
M20x1,5	M25x1,5	27	15	19	6,5	8,5	52104454	52104454LF
M25x1,5	M32x1,5	34	20	21	6,5	9,5	52104456	52104456LF
M32x1,5	M40x1,5	42	26	23	7	9,5	52104458	52104458LF
M40x1,5	M50x1,5	53	33	31	9	11	52104460	52104460LF
M50x1,5	M63x1,5	67	43	33	10	16	52104462	52104462LF

52104450	<b>DATA SHEET</b>	
Valid from: 24.11.2023	<b>SKINDICHT® ME-M</b>	

**SKINDICHT® ME-M 6 Kt.**



Thread		Wrench Size SW	Diameter		Length C mm	Thread length		Part No..	
M1	M2		$\phi A$ mm	$\phi B$ mm		D mm	G mm	Brass	Brass Lead Free
M63x1,5	M75x1,5	80	88	57	33	10	18	52104463	52104463LF

For more information please see our current catalogue. Please do not hesitate to contact our laboratory if there are any questions regarding resistance against aggressive agents and special oil.

Creator: M. Wegerer /PDP Released: DAMU1/PDP	Document: DB52104450EN Version: 07	Page 2 of 2
---	---------------------------------------	-------------