

# AC1-27

71 x 97 x 61 mm DIN rail



## Two channel universal Controller, ON/OFF or PID

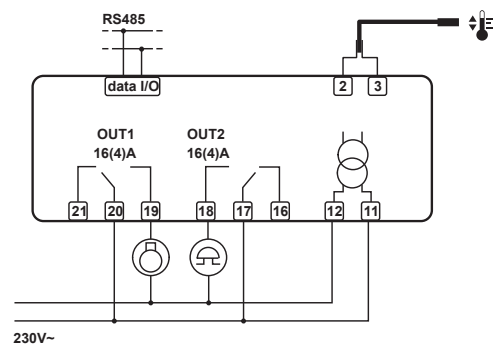
### Main features

- Runs on mains power supply
- PID with autotuning or ON/OFF control
- Main output on 12A relay or for SSR-piloting and auxiliary output on 5A relay
- Input for 0÷1V, PTC/NTC10K, TC J/K or Pt100
- 0.1 / 1°C or 1°F resolution
- Selectable Refrigerating/Heating (Dehumidifying/Humidifying) control
- Absolute or relative temperature alarms
- ON/OFF button on front
- Connectivity to LAE TAB supervisory systems

### Applications

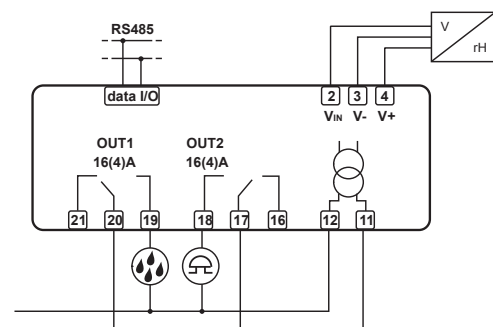
**Temperature:** on control panels for small cold stores, heating systems, heated cupboards, bains-marie, ovens, laboratory equipment.

**Humidity:** on control panels for greenhouses, seasoning cells, cold rooms, air-conditioned rooms.



230V~

AC1-27TS2RE-B



230V~

AC1-27AS2RE-B

### AC1-27 series

Functions	AC1-27T...		AC1-27P...		AC1-27J...	AC1-27A...	
Input type	PTC	NTC10K*	Pt100		TC "J" TC "K"	0+1V	
Range	-50÷150°C -60÷300°F	-40÷125°C -40÷260°F	-100÷850°C -150÷999°F		-50÷750°C -60÷999°F	-50÷999°C -60÷999°F	Configurable in setup
Accuracy	±0.3°C	±0.3°C	±0.3°C <sup>(a)</sup> ; ±1°C <sup>(b)</sup>		±3°C		±3mV
Resolution	0.1 / 1°C / 1°F			1 °C / °F		0.1 / 1	
Ambient temperature	-10÷50°C						

<sup>(a)</sup>-50÷150°C; <sup>(b)</sup> remaining range.

\* The standard NTC10K is the SN4B20P1

AC1-27	T	S	2	R	E	-B
	(1)	(2)	(3)	(4)	(5)	(6)
Pos.	Function	Description				
(1)	Input	A = 0÷1V; J = TC 'J' / 'K'; P = Pt100; T = PTC / NTC10K				
(2)	Connections	S = built-in screw terminals				
(3)	Output No.	1 = one; 2 = two				
(4)	Output type	R = relay; M = Out1 on SSR, Out2 on relay				
(5)	Supply	D = 12Vac/dc; E = 230Vac 50/60Hz; U = 115Vac 50/60Hz 3W				
(6)	Serial comm.	Nil = no; -A = TTL; -B = RS485				

### How to order:

- AC1-27JS2RE-B (TC J/K input, screw terminals, 2 relay outputs, 230Vac supply voltage, RS485 port).
- AC1-27AS2E-B (0÷1V input, screw terminals, 2 relay outputs, 230Vac supply voltage, RS485 port)

➤ In order to know versions available, please consult LAE or our local dealer.