

Part number

CZO 25 L



Hood, IL-BRID series, with 2 pegs, Pg16 side cable entry, size "66.16"

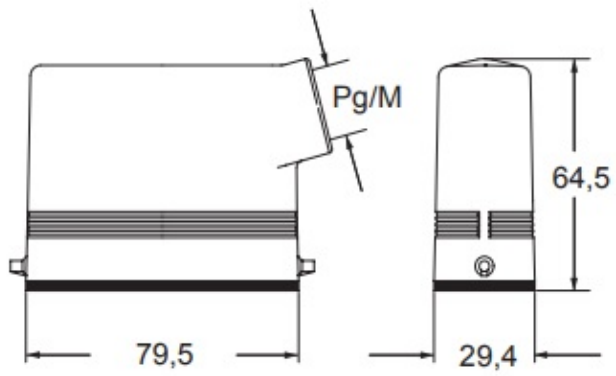
Product description		Material properties	
Product type	Hood	Colour	RAL 7040 grey
Series	IL-BRID	RoHs conformity	Compliant
Closing type	With 2 pegs	China RoHs - EFUP	E
Size	Size "66.16"	REACH SVHC substances	No
Cable entry	Side cable entry Pg16	Approvals / Standards	
Technical data		UL	ECBT2
IP degree of protection	IP66	cUL	ECBT8
Further technical details		General ordering information	
Weight	110,00 g	EAN13 code	8015747044356
Operating temperature range (min, max)	-40°C...+125°C	Packaging Information	
		Packaging length	210,00 mm
		Packaging height	75,00 mm
		Packaging width	180,00 mm
		Packaging weight	2,20 kg
		Packaging volume	2,84 dm ³
		Packaging description	Carton box
		Packaging quantity	20 Pcs
		Packaging EAN code	8015747207461
		Sub-packaging weight	0,55 kg
		Sub-packaging description	Plastic packaging
		Sub-packaging quantity	5 Pcs
		Sub-packaging EAN barcode	8015747191883

Part number

CZO 25 L



Catalogue drawings



Notes

Dimensions shown in mm are not binding and may be changed without notice.
