

Part number

CKA 03 VGS



Hood, CKA series, with 1 lever, Pg11 top cable entry, size "21.21"

Product description

Product type	Hood
Series	CKA
Closing type	With 1 lever
Size	Size "21.21"
Cable entry	Top cable entry Pg11

Technical data

IP degree of protection	IP44 (IP66/IP67/IP69 with CKR 65/CKR 65 D kits)
--------------------------------	---

Further technical details

Weight	37,00 g
Operating temperature range (min, max)	-40°C...+125°C

Material properties

Colour	RAL 7040 grey
RoHs conformity	Compliant
China RoHs - EFUP	E
REACH SVHC substances	No

Approvals / Standards

UL	ECBT2
cUL	ECBT8

General ordering information

EAN13 code	8015747027106
-------------------	---------------

Packaging Information

Packaging length	330,00 mm
Packaging height	230,00 mm
Packaging width	205,00 mm
Packaging weight	3,67 kg
Packaging volume	15,56 dm ³
Packaging description	Carton box
Packaging quantity	100 Pcs
Packaging EAN code	8015747027113
Sub-packaging length	185,00 mm
Sub-packaging height	40,00 mm
Sub-packaging width	155,00 mm
Sub-packaging weight	0,37 kg
Sub-packaging volume	1,15 dm ³
Sub-packaging description	Carton box
Sub-packaging quantity	10 Pcs
Sub-packaging EAN barcode	8015747027120

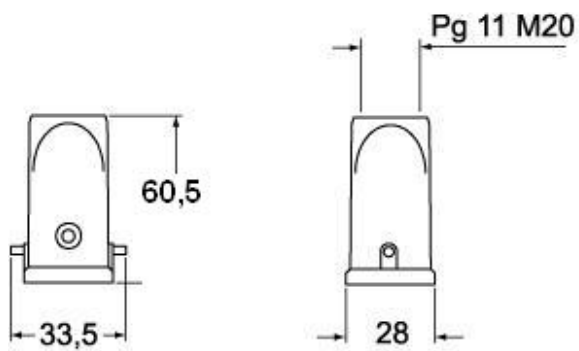
Part number

CKA 03 VGS

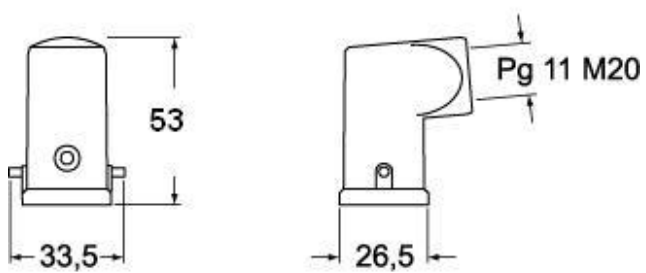


Catalogue drawings

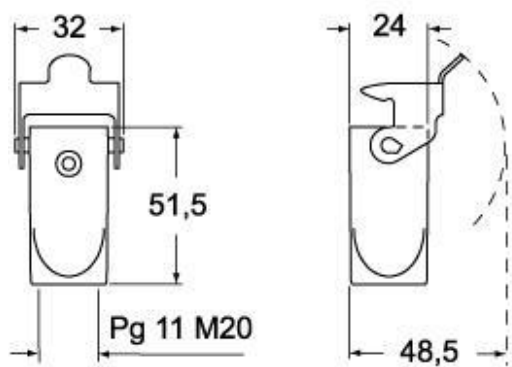
CKA VS - MKA V



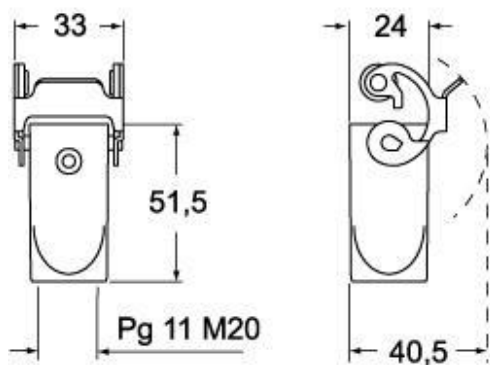
CKA VAS - MKA VA



CKA VAS - MKA VA



CKAX VGS - MKAX VG



Notes

Dimensions shown in mm are not binding and may be changed without notice.
