

Part number

# CKA 03 IA



Angled Bulkhead mounting housing, CKA series, with 1 lever without cable entry, size "21.21"

Product description		Material properties	
<b>Product type</b>	Angled bulkhead mounting housing	<b>Colour</b>	RAL 7040 grey
<b>Series</b>	CKA	<b>RoHs conformity</b>	Compliant
<b>Closing type</b>	With 1 lever	<b>China RoHs - EFUP</b>	E
<b>Size</b>	Size "21.21"	<b>REACH SVHC substances</b>	No
<b>Cable entry</b>	Without cable entry		
Technical data		Approvals / Standards	
<b>IP degree of protection</b>	IP44 (IP66/IP67/IP69 with CKR 65/CKR 65 D kits)	<b>UL</b>	ECBT2
		<b>cUL</b>	ECBT8
Further technical details		General ordering information	
<b>Weight</b>	45,00 g	<b>EAN13 code</b>	8015747026932
<b>Operating temperature range (min, max)</b>	-40°C...+125°C	<b>eCl@ss 8.1</b>	27440202
		<b>ETIM 7.0</b>	EC000437
		Packaging Information	
		<b>Packaging length</b>	330,00 mm
		<b>Packaging height</b>	230,00 mm
		<b>Packaging width</b>	205,00 mm
		<b>Packaging weight</b>	5,17 kg
		<b>Packaging volume</b>	15,56 dm <sup>3</sup>
		<b>Packaging description</b>	Carton box
		<b>Packaging quantity</b>	100 Pcs
		<b>Packaging EAN code</b>	8015747026949
		<b>Sub-packaging length</b>	185,00 mm
		<b>Sub-packaging height</b>	40,00 mm
		<b>Sub-packaging width</b>	155,00 mm
		<b>Sub-packaging weight</b>	0,52 kg
		<b>Sub-packaging volume</b>	1,15 dm <sup>3</sup>
		<b>Sub-packaging description</b>	Carton box
		<b>Sub-packaging quantity</b>	10 Pcs
		<b>Sub-packaging EAN barcode</b>	8015747026956

Part number

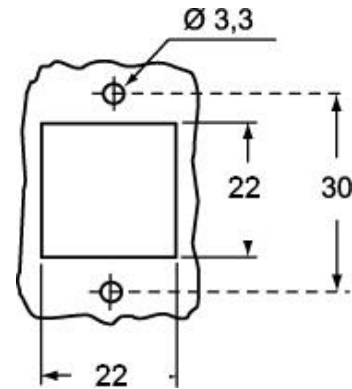
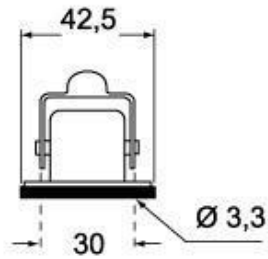
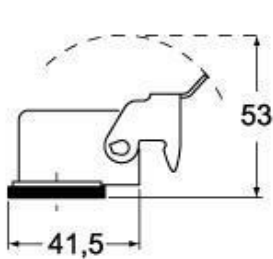
# CKA 03 IA



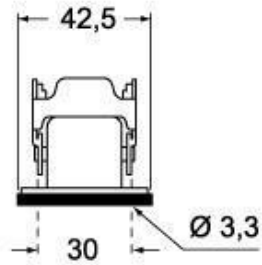
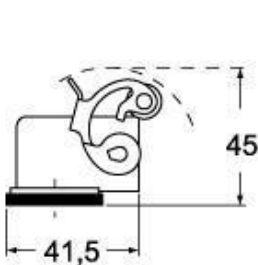
Catalogue drawings

Catalogue drawings

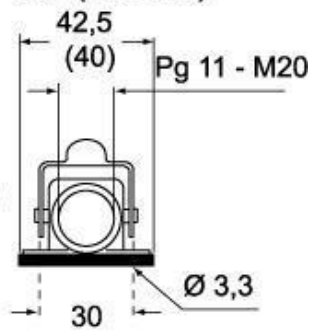
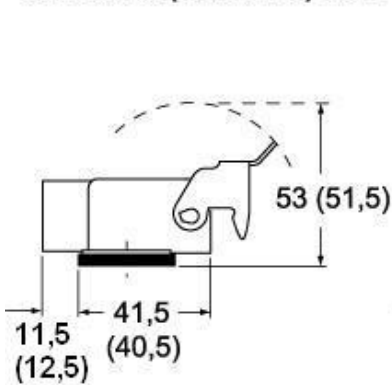
CKA IA



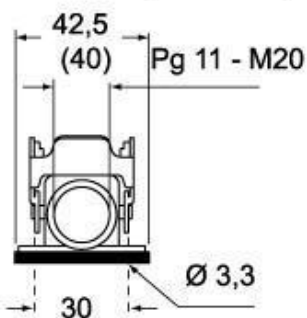
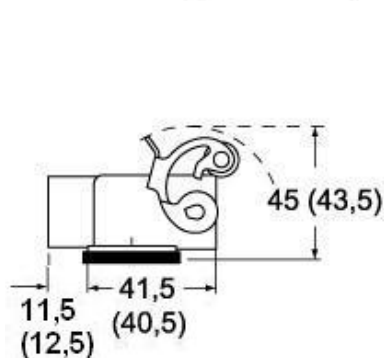
CKAX IA



CKA IAPS (CKA APS) MKA - IAP (MKA AP)



CKAX IAPS (CKAX APS) - MKAX IAP (MKAX AP)



# Notes

Dimensions shown in mm are not binding and may be changed without notice.

---