

Part number

CHV 16 G



Hood, C-TYPE series, with 2 levers, Pg21 top cable entry, size "77.27"

Product description

Product type	Hood
Series	C-TYPE
Closing type	With 2 levers
Size	Size "77.27"
Cable entry	Top cable entry Pg21

Technical data

IP degree of protection	IP66 (and IP69 DIN 40050 - 9)
--------------------------------	-------------------------------

Further technical details

Weight	238,00 g
Operating temperature range (min, max)	-40°C...+125°C

Material properties

Colour	RAL 7040 grey
RoHs conformity	Compliant
China RoHs - EFUP	E
REACH SVHC substances	No

Approvals / Standards

Certifications	DNV-GL, BV
UL	ECBT2
cUL	ECBT8

General ordering information

EAN13 code	8015747024471
-------------------	---------------

Packaging Information

Packaging length	150,00 mm
Packaging height	160,00 mm
Packaging width	300,00 mm
Packaging weight	2,60 kg
Packaging volume	7,20 dm ³
Packaging description	Carton box
Packaging quantity	10 Pcs
Packaging EAN code	8015747024488
Sub-packaging weight	1,30 kg
Sub-packaging description	Carton box
Sub-packaging quantity	5 Pcs
Sub-packaging EAN barcode	8015747024495

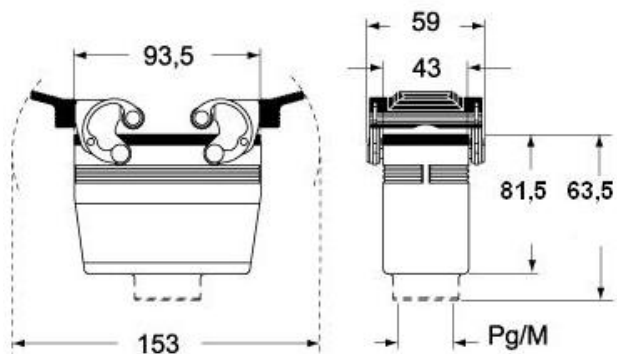
Part number

CHV 16 G



Catalogue drawings

CHV G (CAV G) - MHV G (MAV G) - [MFV G]



Notes

Dimensions shown in mm are not binding and may be changed without notice.
