

Part number

CHV 10



Hood, C-TYPE series, with 4 pegs, Pg16 top cable entry, size "57.27"

Product description

Product type	Hood
Series	C-TYPE
Closing type	With 4 pegs
Size	Size "57.27"
Cable entry	Top cable entry Pg16

Technical data

IP degree of protection	IP66 (and IP69 DIN 40050 - 9)
--------------------------------	-------------------------------

Further technical details

Weight	114,00 g
Operating temperature range (min, max)	-40°C...+125°C

Material properties

Colour	RAL 7040 grey
RoHs conformity	Compliant
China RoHs - EFUP	E
REACH SVHC substances	No

Approvals / Standards

Certifications	DNV-GL, BV
UL	ECBT2
cUL	ECBT8

General ordering information

EAN13 code	8015747024273
-------------------	---------------

Packaging Information

Packaging length	160,00 mm
Packaging height	130,00 mm
Packaging width	270,00 mm
Packaging weight	2,43 kg
Packaging volume	5,62 dm ³
Packaging description	Carton box
Packaging quantity	20 Pcs
Packaging EAN code	8015747024280
Sub-packaging weight	0,61 kg
Sub-packaging description	Plastic packaging
Sub-packaging quantity	5 Pcs
Sub-packaging EAN barcode	8015747024297

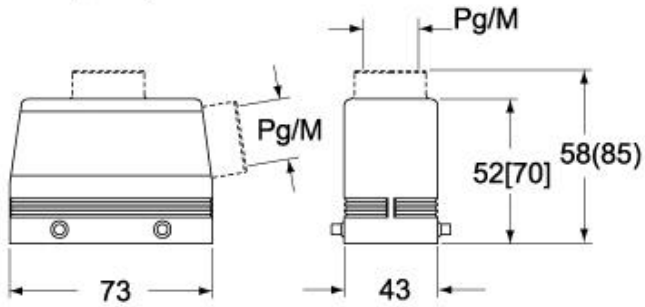
Part number

CHV 10

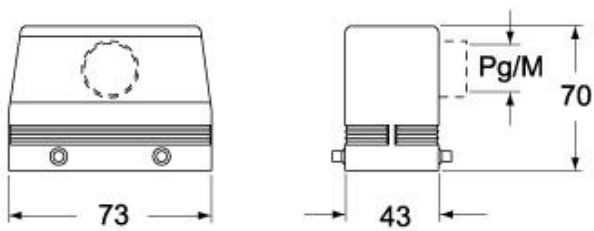


Catalogue drawings

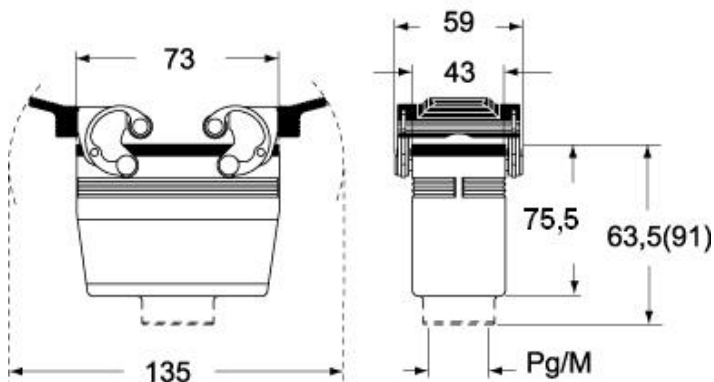
**CHO [CAO] CHV (CAV) - MHO [MAO]
MHV (MAV)**



CAF - MAF/MFF



CHV G (CAV G) - MHV G (MAV G) - [MFV G]



Notes

Dimensions shown in mm are not binding and may be changed without notice.