

Part number

# CHP 16 LS



Surface mounting housing, C-TYPE series, with 1 lever, Pg21 cable entry, size "77.27", with metal cover

## Product description

<b>Product type</b>	Surface mounting housing
<b>Series</b>	C-TYPE
<b>Closing type</b>	With 1 lever
<b>Size</b>	Size "77.27"
<b>Cable entry</b>	Pg21
<b>Specification</b>	With metal cover

## Technical data

<b>IP degree of protection</b>	IP65
--------------------------------	------

## Further technical details

<b>Weight</b>	378,00 g
<b>Operating temperature range (min, max)</b>	-40°C...+125°C

## Material properties

<b>Colour</b>	RAL 7040 grey
<b>RoHs conformity</b>	Compliant
<b>China RoHs - EFUP</b>	E
<b>REACH SVHC substances</b>	No

## Approvals / Standards

<b>Certifications</b>	DNV-GL, BV
<b>UL</b>	ECBT2
<b>cUL</b>	ECBT8

## General ordering information

<b>EAN13 code</b>	8015747022231
-------------------	---------------

## Packaging Information

<b>Packaging length</b>	475,00 mm
<b>Packaging height</b>	180,00 mm
<b>Packaging width</b>	175,00 mm
<b>Packaging weight</b>	3,83 kg
<b>Packaging volume</b>	14,96 dm <sup>3</sup>
<b>Packaging description</b>	Carton box
<b>Packaging quantity</b>	10 Pcs
<b>Packaging EAN code</b>	8015747022248
<b>Sub-packaging weight</b>	1,92 kg
<b>Sub-packaging description</b>	Plastic packaging
<b>Sub-packaging quantity</b>	5 Pcs
<b>Sub-packaging EAN barcode</b>	8015747022255

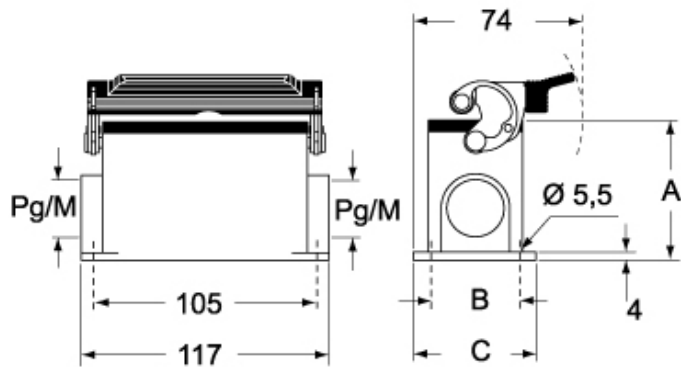
Part number

# CHP 16 LS

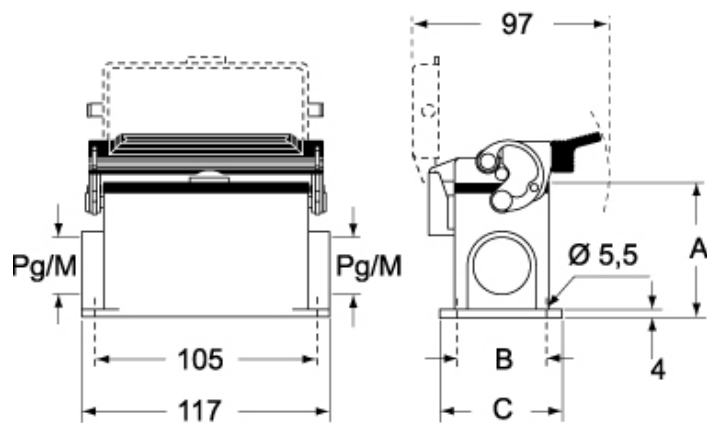


Catalogue drawings

## CHP L CAP L - MHP L MAP L



## CHP LS CAP LS - MHP LS MAP LS



	<b>A</b>
<b>CHP L / MHP L</b>	63
<b>CAP L / MAP L</b>	77
<b>CHP LS / MHP LS</b>	63
<b>CAP LS / MAP LS</b>	77

## Notes

Dimensions shown in mm are not binding and may be changed without notice.