

Part number

CHO 06 L16



Hood, C-TYPE series, with 2 pegs, Pg16 side cable entry, size "44.27"

Product description		Material properties	
Product type	Hood	Colour	RAL 7040 grey
Series	C-TYPE	RoHs conformity	Compliant
Closing type	With 2 pegs	China RoHs - EFUP	E
Size	Size "44.27"	REACH SVHC substances	No
Cable entry	Side cable entry Pg16	Approvals / Standards	
Technical data		Certifications	DNV-GL, BV
IP degree of protection	IP66 (and IP69 DIN 40050 - 9)	UL	ECBT2
Further technical details		cUL	ECBT8
Weight	100,00 g	General ordering information	
Operating temperature range (min, max)	-40°C...+125°C	EAN13 code	8015747019675
		Packaging Information	
		Packaging length	225,00 mm
		Packaging height	130,00 mm
		Packaging width	150,00 mm
		Packaging weight	2,12 kg
		Packaging volume	4,39 dm ³
		Packaging description	Carton box
		Packaging quantity	20 Pcs
		Packaging EAN code	8015747019682
		Sub-packaging weight	0,53 kg
		Sub-packaging description	Plastic packaging
		Sub-packaging quantity	5 Pcs
		Sub-packaging EAN barcode	8015747019699

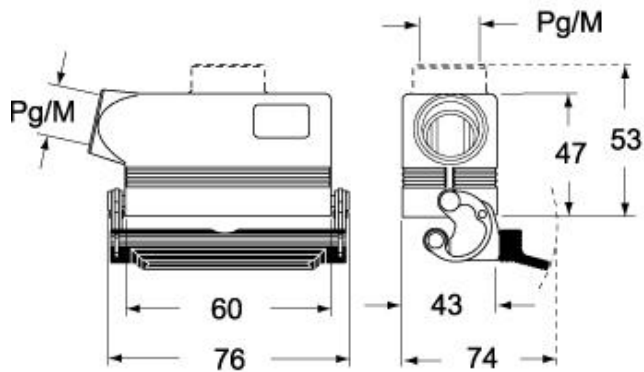
Part number

CHO 06 L16

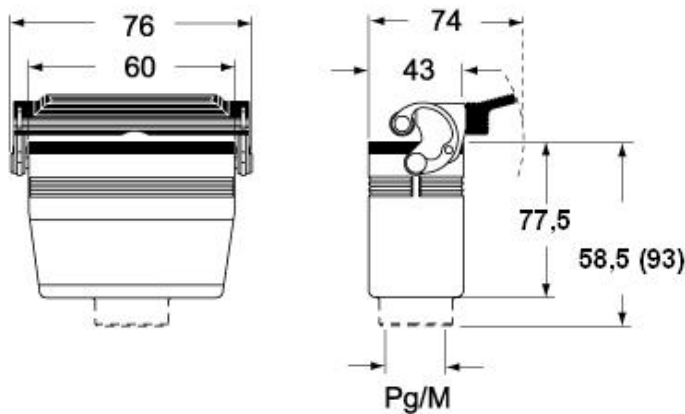


Catalogue drawings

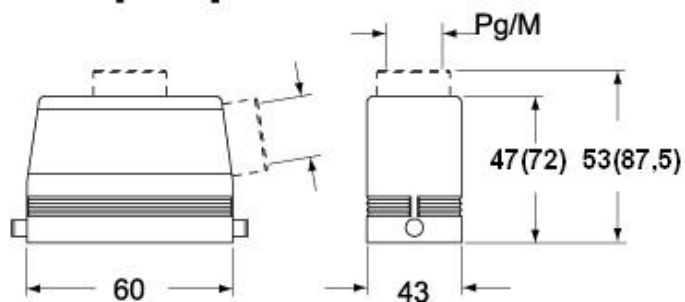
CHO LX CHV LX - MHO LX MHV LX



CHV LG (CAV LG), MHV LG (MAV LG) [MFV LG]



CHO L (CAO L) - MHO (MAO/MFO/MFV L) MHV L [MAV L]



Notes

Dimensions shown in mm are not binding and may be changed without notice.