

Part number

CHI 16 CS



Bulkhead mounting housing, C-TYPE series, with 4 pegs, size "77.27", with metal cover

Product description

Product type	Bulkhead mounting housing
Series	C-TYPE
Closing type	With 4 pegs
Size	Size "77.27"
Specification	With metal cover

Technical data

IP degree of protection	IP65
--------------------------------	------

Further technical details

Weight	146,60 g
Operating temperature range (min, max)	-40°C...+125°C

Material properties

Colour	RAL 7040 grey
RoHs conformity	Compliant
China RoHs - EFUP	E
REACH SVHC substances	No

Approvals / Standards

Certifications	DNV-GL, BV
UL	ECBT2
cUL	ECBT8

General ordering information

EAN13 code	8015747017800
eCl@ss 8.1	27440202
ETIM 7.0	EC000437

Packaging Information

Packaging length	340,00 mm
Packaging height	135,00 mm
Packaging width	200,00 mm
Packaging weight	3,23 kg
Packaging volume	9,18 dm ³
Packaging description	Carton box
Packaging quantity	20 Pcs
Packaging EAN code	8015747017817
Sub-packaging weight	0,81 kg
Sub-packaging description	Carton box
Sub-packaging quantity	5 Pcs
Sub-packaging EAN barcode	8015747017824

Part number

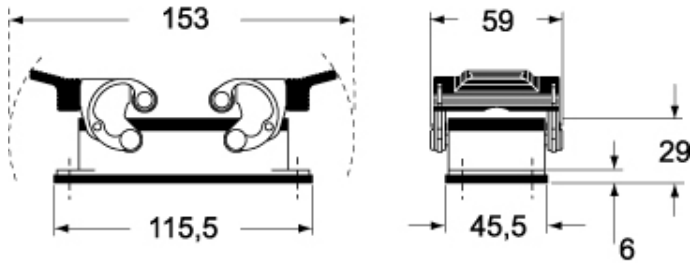
CHI 16 CS



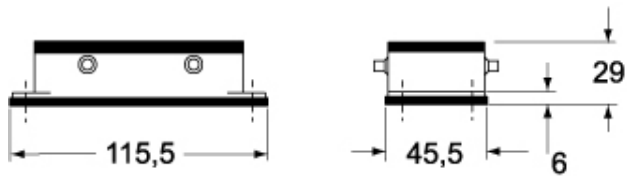
Catalogue drawings

Catalogue drawings

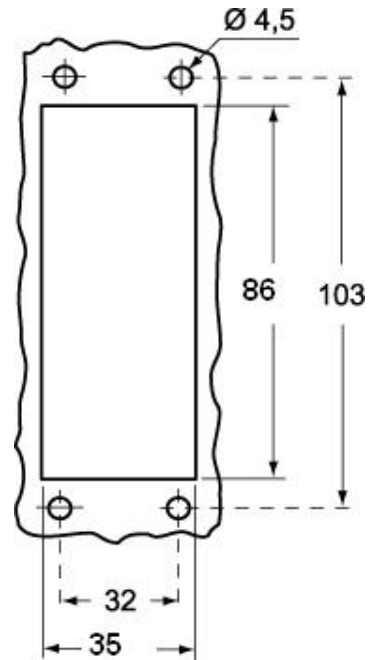
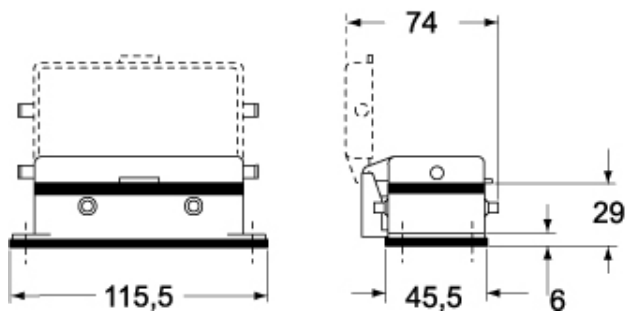
CHI



CHI C



CHI CS/CP



Notes

Dimensions shown in mm are not binding and may be changed without notice.