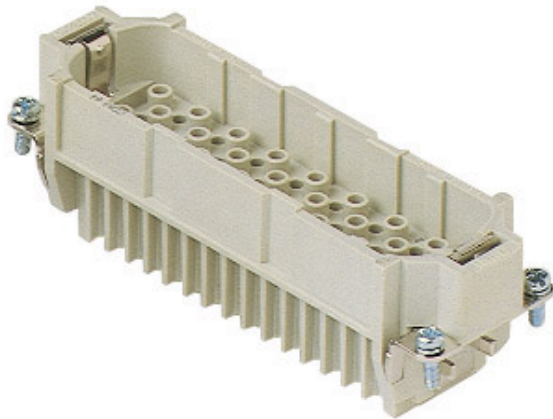



Part number

CDM 64



Male insert, CD series, crimp connection, 64 poles + PE, 10 A 250 V 4 kV 3, size "104.27"

Product description

| | |
|------------------------|---|
| Product type | Insert |
| Series | CD |
| Connection type | Crimp connection |
| Gender | Male |
| N. of poles | 64 poles +  |
| Size | Size "104.27" |

Technical data

| | |
|--|---|
| Current | 10 A |
| Voltage | 250 V |
| Rated impulse withstand voltage | 4 kV |
| Pollution degree | 3 |
| Rated voltage according to UL/CSA | 600 V |
| IP degree of protection | IP20 without enclosure, IP65/IP66/IP68/IP69 with enclosure |

Further technical details

| | |
|---|--|
| Characteristics according to EN 61984 | 10A 250V 4kV 3; 10A 230/400V 4kV 2 |
| Mating cycles | ≥ 500 |
| Insulation resistance | ≥ 10 GΩ |
| Contact resistance | ≤ 3 mΩ |
| Weight | 76,00 g |
| Operating temperature range (min, max) | -40 °C ... +125 °C |
| Conductors stripping length | 6 - 8 mm |
| UL 94 flammability rating | V-0 |
| Tightening torque for PE connection | M4: 1,2 Nm, 10,6 lb.in (Ph2 or 1,0x5,5mm) |
| Tightening torque for fixing screws | M3: 0.5 Nm; 4.4 lb.in (Ph1 or 0.8x4 mm) |

Material properties

| | |
|------------------------------|--------------------|
| Main material | Polycarbonate (PC) |
| Colour | RAL 7032 grey |
| RoHS conformity | Compliant |
| China RoHS - EFUP | E |
| REACH SVHC substances | No |

Approvals / Standards

| | |
|---------------------------|----------------------------|
| Reference standard | EN 61984:2009-06 |
| Certifications | CSAc, CQC, DNV-GL, BV, EAC |
| UL | ECBT2 |
| cUL | ECBT8 |

General ordering information

| | |
|-------------------|---------------|
| EAN13 code | 8015747015172 |
| eCl@ss 8.1 | 27440205 |
| ETIM 7.0 | EC000438 |

Packaging Information

| | |
|----------------------------------|----------------------|
| Packaging length | 270,00 mm |
| Packaging height | 75,00 mm |
| Packaging width | 180,00 mm |
| Packaging weight | 2,45 kg |
| Packaging volume | 3,65 dm ³ |
| Packaging description | Carton box |
| Packaging quantity | 30 Pcs |
| Packaging EAN code | 8015747015189 |
| Sub-packaging length | 113,00 mm |
| Sub-packaging height | 36,00 mm |
| Sub-packaging width | 180,00 mm |
| Sub-packaging weight | 0,41 kg |
| Sub-packaging volume | 0,73 dm ³ |
| Sub-packaging description | Carton tray |
| Sub-packaging quantity | 5 Pcs |
| Sub-packaging EAN barcode | 8015747015196 |

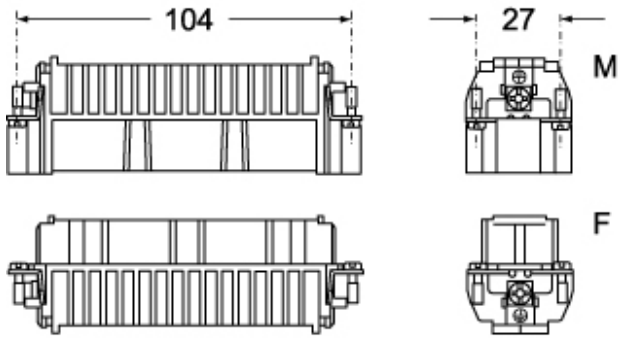
Part number

CDM 64

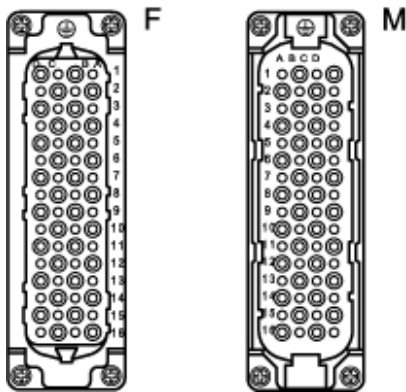


Catalogue drawings

CDM 64

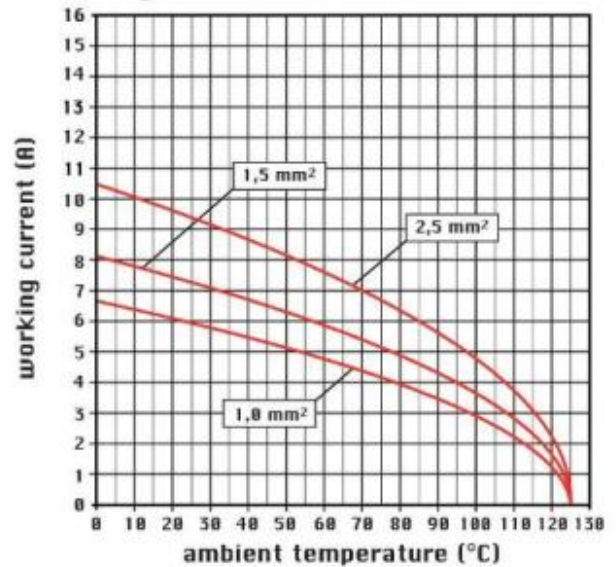


CDF 64



Catalogue drawings

diagram CD 64 and 128 poles



Notes

California Proposition 65 Information



WARNING

This product can expose you to nickel compounds, known to the State of California to cause cancer and/or reproductive toxicity. For more information go to www.P65Warnings.ca.gov.

CDA ... : for non-prepared conductors



Dimensions shown in mm are not binding and may be changed without notice.

CDA ... X : for conductors with bush terminal

