

Part number

CDCF 10



Female insert, CDC series, crimp connection, 10 poles + PE, 16 A 250 V 4 kV 3, size "49.16"

Product description		Material properties	
Product type	Insert	Main material	Polycarbonate (PC)
Series	CDC	Colour	RAL 7032 grey
Connection type	Crimp connection	RoHs conformity	Compliant
Gender	Female	China RoHs - EFUP	E
N. of poles	10 poles +	REACH SVHC substances	No
Size	Size "49.16"		
Technical data		Approvals / Standards	
Current	16 A	Reference standard	EN 61984:2009-06
Voltage	250 V	Certifications	CSA, CQC, DNV-GL, BV, EAC
Rated impulse withstand voltage	4 kV	UL	ECBT2
Pollution degree	3	cUL	ECBT8
Rated voltage according to UL/CSA	600 V		
IP degree of protection	IP20 without enclosure, IP65/IP66 with enclosure	General ordering information	
		EAN13 code	8015747013383
		eCl@ss 8.1	27440205
		ETIM 7.0	EC000438
Further technical details		Packaging Information	
Characteristics according to EN 61984	16A 250V 4kV 3; 16A 230/400V 4kV 2	Packaging weight	1,03 kg
Mating cycles	≥ 500	Packaging volume	3,29 dm ³
Insulation resistance	≥ 10 GΩ	Packaging description	Carton box
Contact resistance	≤ 1 mΩ	Packaging quantity	30 Pcs
Weight	28,00 g	Packaging EAN code	8015747013390
Operating temperature range (min, max)	-40 °C ... +125 °C	Sub-packaging weight	0,17 kg
UL 94 flammability rating	V-0	Sub-packaging description	Carton tray
Tightening torque for PE connection	M3,5: 0,8 Nm; 7,1 lb.in (Ph1 or 0,8 x 5,5 mm)	Sub-packaging quantity	5 Pcs
		Sub-packaging EAN barcode	8015747013406

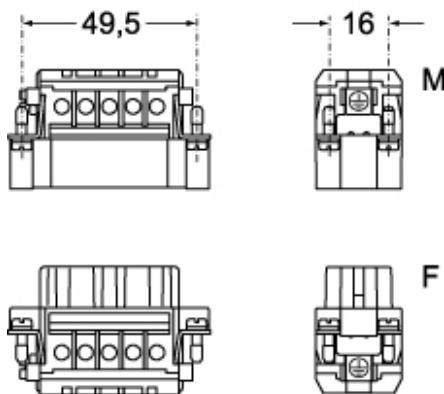
Part number

CDCF 10

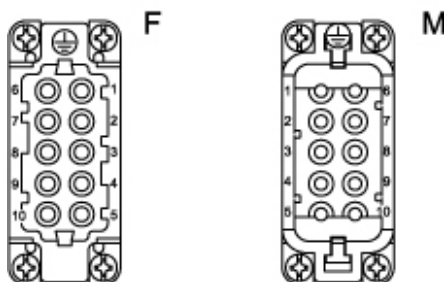


Catalogue drawings

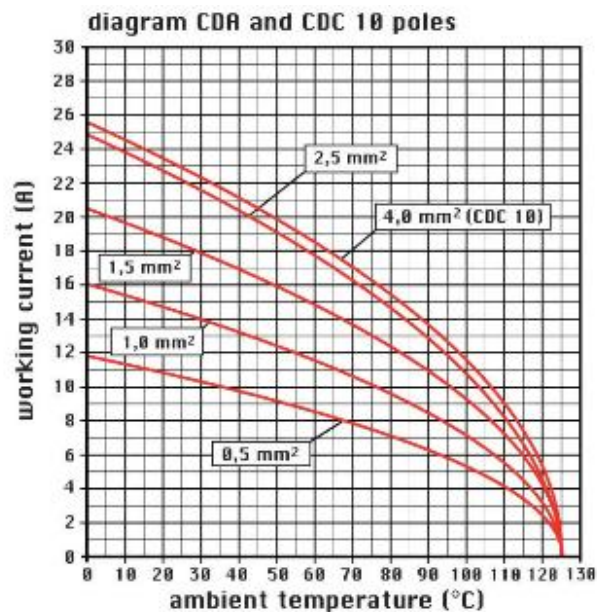
CDCM 10



CDCF 10



Catalogue drawings



Notes

Dimensions shown in mm are not binding and may be changed without notice.

California Proposition 65 Information



WARNING

This product can expose you to nickel compounds, known to the State of California to cause cancer and/or reproductive toxicity. For more information go to www.P65Warnings.ca.gov.