


Part number

CDAM 10



Male insert, CDA series, screw terminal connection, 10 poles + PE, 16 A 250 V 4 kV 3, size "49.16", with plate

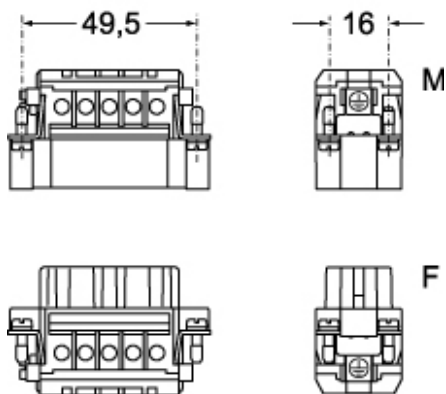
Product description		Material properties	
Product type	Insert	Main material	Polycarbonate (PC)
Series	CDA	Other materials	Contacts: copper alloy
Connection type	Screw terminal connection	Colour	RAL 7032 grey
Gender	Male		Compliant with exemption
N. of poles	10 poles + 	RoHs conformity	6(c): copper alloy containing up to 4% lead by weight
Size	Size "49.16"	China RoHs - EFUP	50
Specification	With plate	REACH SVHC substances	Yes Lead
Technical data		Approvals / Standards	
Current	16 A	Reference standard	EN 61984:2009-06
Voltage	250 V	Certifications	CSA, CQC, DNV-GL, BV, EAC
Rated impulse withstand voltage	4 kV	UL	ECBT2
Pollution degree	3	cUL	ECBT8
Rated voltage according to UL/CSA	600 V	General ordering information	
Wire cross-section	0,75 mm ² - 4,00 mm ²	EAN13 code	8015747013178
AWG size	18 - 12	eCl@ss 8.1	27440205
Contact type	Turned silver plated	ETIM 7.0	EC000438
IP degree of protection	IP20 without enclosure, IP65/IP66 with enclosure	Packaging Information	
Further technical details		Packaging weight	1,57 kg
Characteristics according to EN 61984	16A 250V 4kV 3; 16A 230/400V 4kV 2	Packaging volume	3,29 dm ³
Mating cycles	≥ 500	Packaging description	Carton box
Insulation resistance	≥ 10 GΩ	Packaging quantity	30 Pcs
Contact resistance	≤ 1 mΩ	Packaging EAN code	8015747013185
Weight	46,00 g	Sub-packaging weight	0,26 kg
Operating temperature range (min, max)	-40 °C ... +125 °C	Sub-packaging description	Carton tray
UL 94 flammability rating	V-0	Sub-packaging quantity	5 Pcs
Torque for main contact	M3: 0,5 Nm; 4,4 lb.in (Ph0 or 0,6 x 3,5 mm)	Sub-packaging EAN barcode	8015747013192
Tightening torque for PE connection	M3,5: 0,8 Nm; 7,1 lb.in (Ph1 or 0,8 x 5,5 mm)		

Part number
CDAM 10

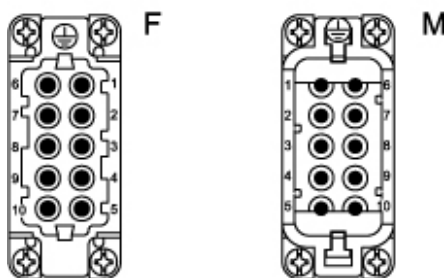


Catalogue drawings

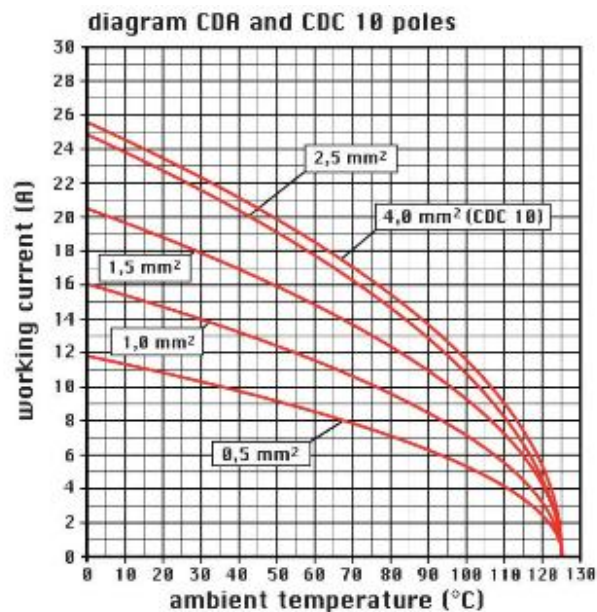
CDAM 10



CDAF 10



Catalogue drawings



Notes

Dimensions shown in mm are not binding and may be changed without notice.

CDA ... : for non-prepared conductors



CDA ... X : for conductors with bush terminal

California Proposition 65 Information



WARNING

This product can expose you to lead and its compounds, known to the State of California to cause cancer and/or reproductive toxicity. For more information go to www.P65Warnings.ca.gov.
