

# FGR2

## ROTARY GEAR LIMIT SWITCH

### Technical data

Case	- base: die-cast aluminum alloy - cover: self-extinguishing thermoplastic material
Ratio	-
Direct ratio	1:12 - 1:33 - 1:50 - 1:100 - 1:200
Protection class	IP65
Shaft type	- stainless steel mounted on ball bearings - double overhang shaft version available
Fixing type	base
Microswitches	up to 6
Cam block	self-lubricating with transparent support for easier cam viewing
Cable entry	2 × M16
Temperature	- operating: -25 ... +70°C - storage: -30 ... +70°C
Options	- 3 cam shape options - 20 pinion options - front fixing (with optional flange)

Worm screw limit switches FGR series are in conformity with the following standards or other normative documents:

EN 60947-1	2007/A1 : 2011/A2 : 2017
EN 60947-5-1	2004/A1 : 2009/AC : 2004/AC : 2005
EN 60204-1	2006/A1 : 2009
EN 60529	1991/A1 : 2000/A2 : 2013
EN 50581	2012
IEC 63000	2016

and therefore follow the provision of the Directives:

2014/35/UE
2014/33/UE
2011/65/UE
2015/863/UE

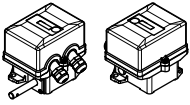
Marking



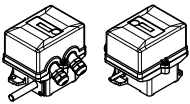
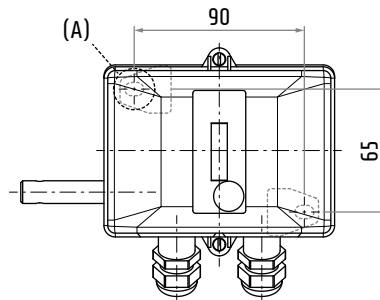
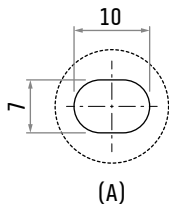
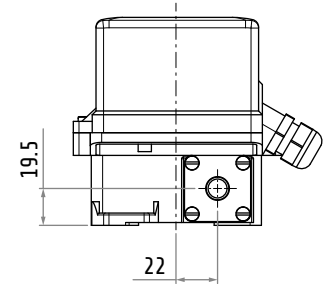
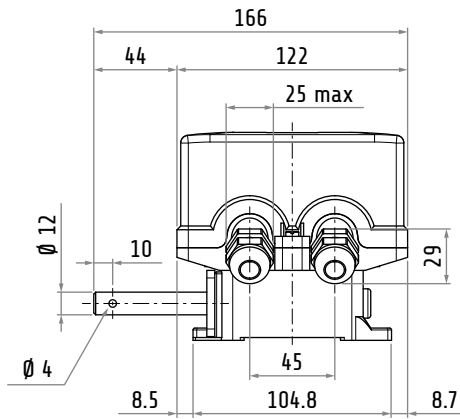
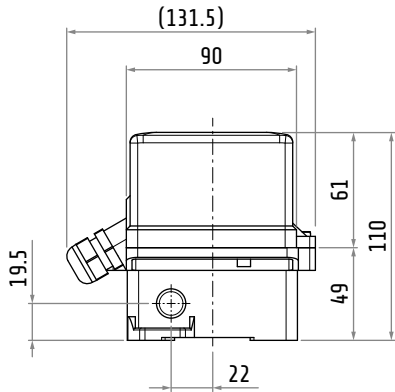
### Microswitch technical data

Operating temperature		-25 ... +85°C
Minimum life expectancy	mechanical	one million of cycles
	electrical	half million of cycles
Rated thermal current	I <sub>th</sub>	8 A
Rated insulation voltage	U <sub>i</sub>	250 V
Rated impulse withstand voltage	U <sub>imp</sub>	1500 V
Rated operating current	I <sub>e</sub>	resistive load inductive load
		8 A - 250 V 3 A - 250 V
Pollution degree		2
Protection against electric shock		class II

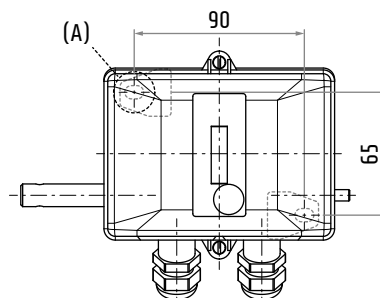
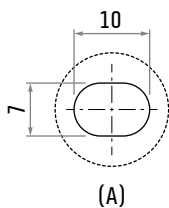
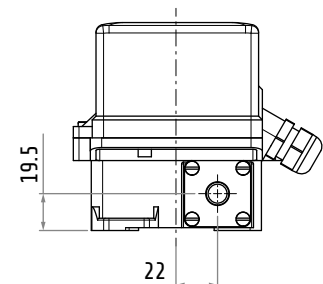
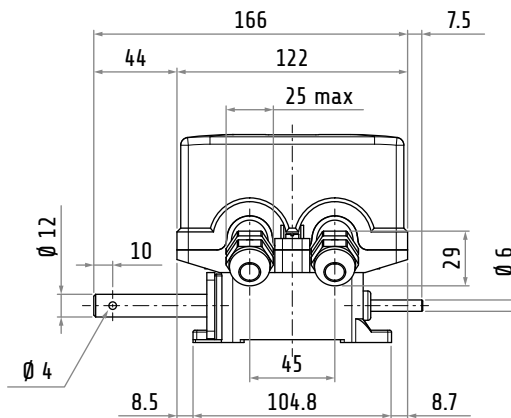
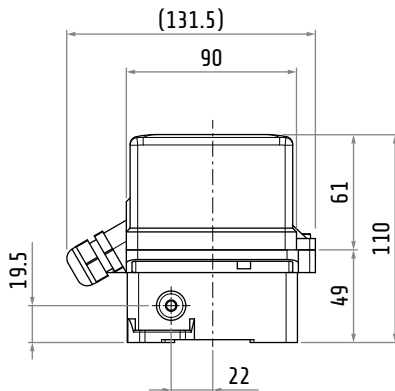
## Dimensions

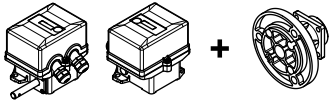


### Base fixing



### Rear shaft





Front fixing with optional flange

