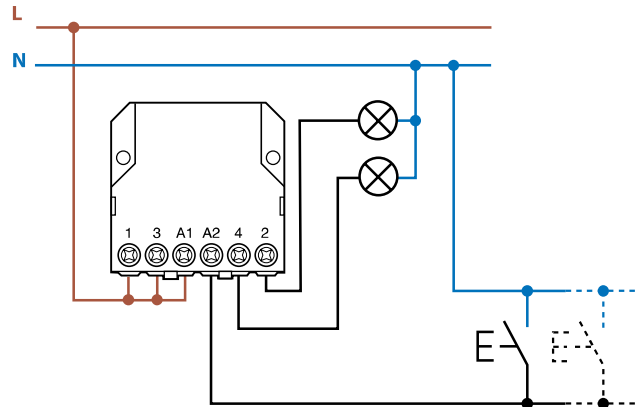
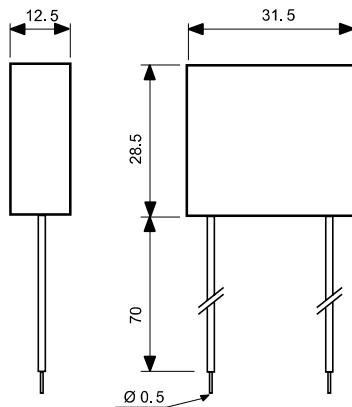


Wiring diagrams

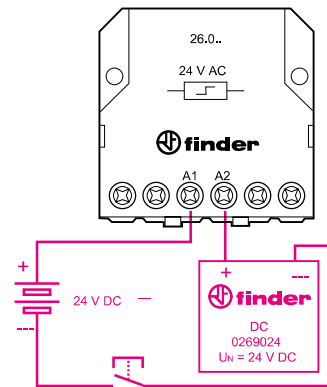


Accessories

for 12 and 24 V DC control applications

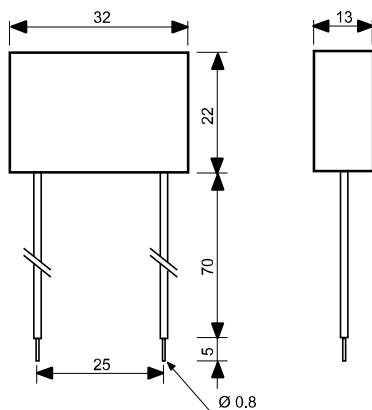


Type: 026.9.012
Nominal voltage: 12 V DC
Max temperature: +40 °C
Operating range: (0.9...1.1)U_N
Type: 026.9.024
Nominal voltage: 24 V DC
Max temperature: +40 °C
Operating range: (0.9...1.1)U_N

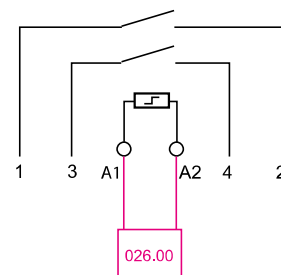


Example of wiring for 24 V DC control application.

Module for use with illuminated push buttons (230 V AC applications)



Type 026.00
Sealed construction, 7.5 cm insulated flexible wire termination.



Example of wiring diagram of type 026.00

This module is necessary when using between 1 and a maximum of 15 illuminated push buttons in the coil circuit (Each 1 mA max, 230 V AC). It must be connected in parallel to the coil of the relay (see diagram).