

E27



B22

Code	Lumen	Power	Packing Rate	Description
01.3003	680 lm	8W	10/100Pcs	E27
01.4003	700 lm	8W	10/100Pcs	E27
01.6003	720 lm	8W	10/100Pcs	E27
01.6008	880 lm	10W	10/100Pcs	B22 *
01.6001	880 lm	10W	10/100Pcs	E27 (100-260V)
01.3098	860 lm	10W	10/100Pcs	E27 (sensor)
01.4098	870 lm	10W	10/100Pcs	E27 (sensor)
01.6098	880 lm	10W	10/100Pcs	E27 (sensor)
01.3005	1000 lm	12W	10/100Pcs	E27
01.4005	1055 lm	12W	10/100Pcs	E27
01.6005	1100 lm	12W	10/100Pcs	E27
01.3007	1350 lm	15W	10/100Pcs	E27
01.4007	1400 lm	15W	10/100Pcs	E27
01.6007	1450 lm	15W	10/100Pcs	E27
01.3004	1710 lm	18W	10/100Pcs	E27
01.4004	1730 lm	18W	10/100Pcs	E27
01.6004	1750 lm	18W	10/100Pcs	E27
01.6006	1850 lm	19W	10/100Pcs	B22 *

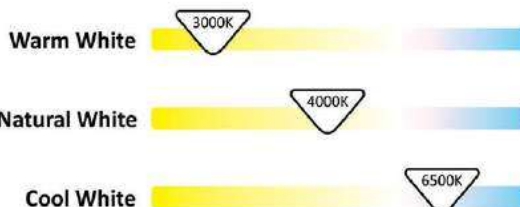
LVD
2006/95/EC
EMC
2014/30/EU

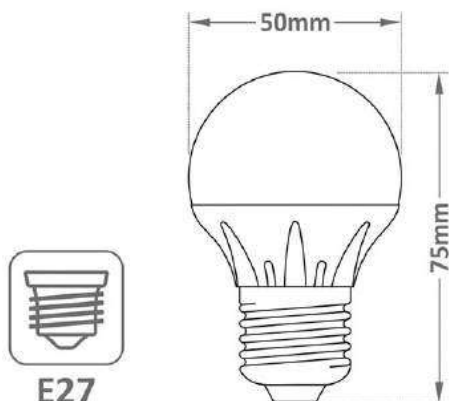


IP44

CE RoHS 2002/95/EC ErP

- Temperature Range: -20°C to 50°C
- 30000 Hours
- on/off x 20000
- No Dimmable
- Beam Angle 270°
- CRI >80
- E27
- 8/10/12/15/18 Watt
- Voltage 170V-240V
- 680-1750 Lumen
- Sketch
- Type of chip Q5



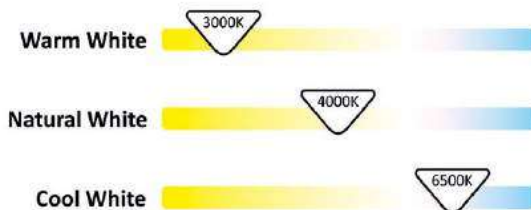


ΣΦΑΙΡΙΚΗ E27

Code	Lumen	Power	Packing Rate	Description
01.3009	560 lm	7W	10/100Pcs	E27
01.4009	580 lm	7W	10/100Pcs	E27
01.6009	600 lm	7W	10/100Pcs	E27
01.3010	960 lm	10W	10/100Pcs	E27 (ceramic)
01.4010	980 lm	10W	10/100Pcs	E27 (ceramic)
01.6010	1000 lm	10W	10/100Pcs	E27 (ceramic)
01.3011	960 lm	10W	10/100Pcs	E27
01.4011	980 lm	10W	10/100Pcs	E27
01.6011	1000 lm	10W	10/100Pcs	E27

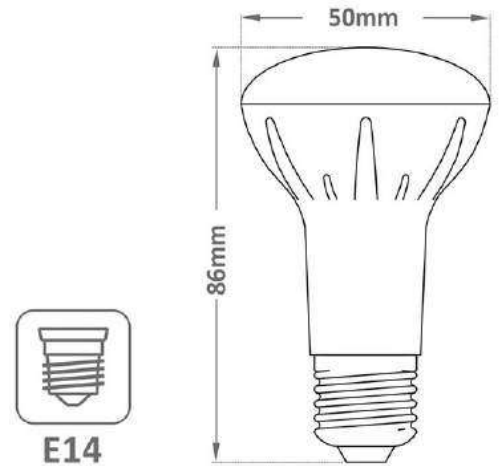


- Temperature Range: -20°C to 50°C
- 30000 Hours
- on/off x 20000
- No Dimmable
- Beam Angle 270°
- CRI >80
- E27
- 6/7/10 Watt
- Voltage 170V-240V
- 460-880 Lumen
- Sketch
- Type of chip Q5



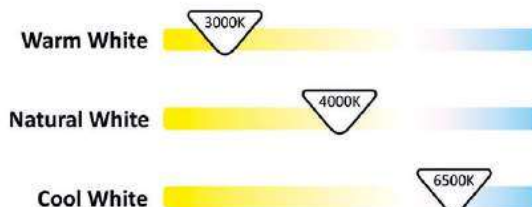


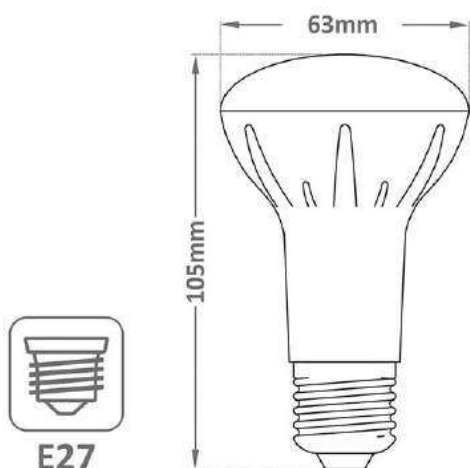
R 50 E14



Code	Lumen	Power	Packing Rate	Description
01.3013	400 lm	5W	10/100Pcs	E14
01.4013	420 lm	5W	10/100Pcs	E14
01.6013	440 lm	5W	10/100Pcs	E14
01.3015	560 lm	7W	10/100Pcs	E14
01.4015	580 lm	7W	10/100Pcs	E14
01.6015	600 lm	7W	10/100Pcs	E14

- Temperature Range: -20°C to 50°C
- 30000 Hours
- on/off x 20000
- No Dimmable
- Beam Angle 180°
- CRI >80
- E14
- 5/7/10 Watt
- Voltage 170V-240V
- 400-880 Lumen
- Sketch
- Type of chip Q5

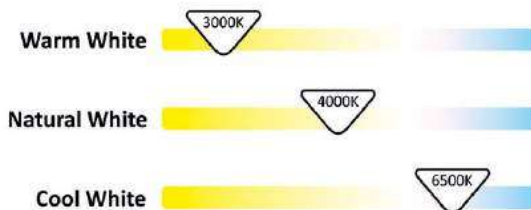




Code	Lumen	Power	Packing Rate	Description
01.3017	800 lm	10W	10/100Pcs	E27
01.4017	820 lm	10W	10/100Pcs	E27
01.6017	840 lm	10W	10/100Pcs	E27
01.3016	1000 lm	12W	10/100Pcs	E27
01.4016	1055 lm	12W	10/100Pcs	E27
01.6016	1100 lm	12W	10/100Pcs	E27

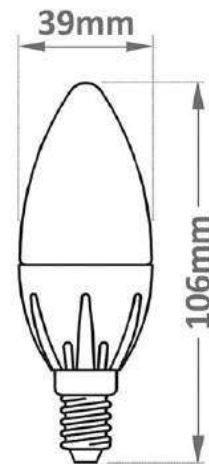


- Temperature Range: -20°C to 50°C
- 30000 Hours
- on/off x 20000
- No Dimmable
- Beam Angle 180°
- CRI >80
- E27
- 10/12 Watt
- Voltage 170V-240V
- 800-1100 Lumen
- Sketch
- Type of chip Q5





KEPI E14



Code	Lumen	Power	Packing Rate	Description
01.3014	320 lm	4W	10/100Pcs	E14
01.4014	340 lm	4W	10/100Pcs	E14
01.6014	360 lm	4W	10/100Pcs	E14
01.3018	560 lm	7W	10/100Pcs	E14
01.4018	580 lm	7W	10/100Pcs	E14
01.6018	600 lm	7W	10/100Pcs	E14
01.3048	960 lm	10W	10/100Pcs	E14 (ceramic)
01.4048	980 lm	10W	10/100Pcs	E14 (ceramic)
01.6048	1000 lm	10W	10/100Pcs	E14 (ceramic)
01.3049	960 lm	10W	10/100Pcs	E14
01.4049	980 lm	10W	10/100Pcs	E14
01.6049	1000 lm	10W	10/100Pcs	E14

LVD
2006/95/EC
EMC
2014/30/EU



IP44



RoHS
2002/95/EC

ErP

- Temperature Range: -20°C to 50°C
- 30000 Hours
- on/off x 20000
- No Dimmable
- Beam Angle 270°
- CRI >80
- E14
- 4/7/10 Watt
- Voltage 170V-240V
- 320-880 Lumen
- Sketch
- Type of chip Q5



Warm White 3000K

Natural White 4000K

Cool White 6500K

ENERGY

Ενεργειακή απόδοση

A++

A+ **A+**

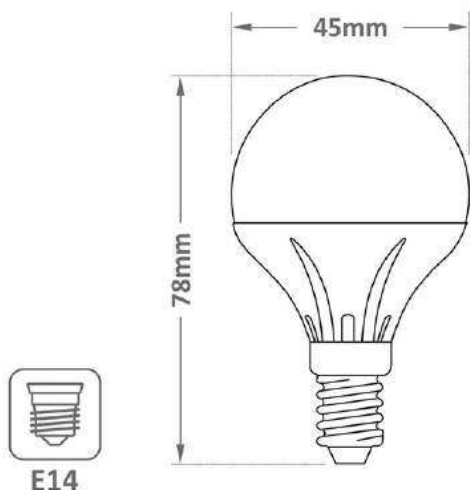
A

B

C

D

E



ΣΦΑΙΡΙΚΗ E14

Code	Lumen	Power	Packing Rate	Description
01.3023	320 lm	4W	10/100Pcs	E14
01.4023	340 lm	4W	10/100Pcs	E14
01.6023	360 lm	4W	10/100Pcs	E14
01.3024	560 lm	7W	10/100Pcs	E14
01.4024	580 lm	7W	10/100Pcs	E14
01.6024	600 lm	7W	10/100Pcs	E14
01.3027	960 lm	10W	10/100Pcs	E14 (ceramic)
01.4027	980 lm	10W	10/100Pcs	E14 (ceramic)
01.6027	1000 lm	10W	10/100Pcs	E14 (ceramic)
01.3028	960 lm	10W	10/100Pcs	E14
01.4028	980 lm	10W	10/100Pcs	E14
01.6028	1000 lm	10W	10/100Pcs	E14

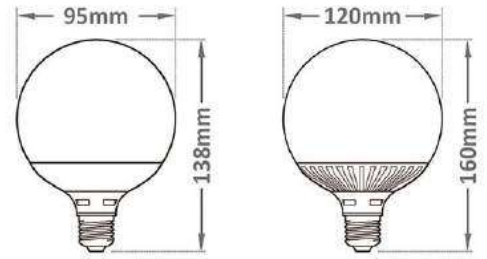


- Temperature Range: -20°C to 50°C
- E14
- 30000 Hours
- 4/5/7/10 Watt
- on/off x 20000
- Voltage 170V-240V
- No Dimmable
- 320-880 Lumen
- Beam Angle 180°
- Sketch
- CRI >80
- Type of chip Q5

- Warm White 3000K
- Natural White 4000K
- Cool White 6500K



GLOBE G95 / G120



Code	Lumen	Power	Packing Rate	Description
01.3033	1500 lm	16W	16Pcs	G95 E27
01.4033	1530 lm	16W	16Pcs	G95 E27
01.6033	1550 lm	16W	16Pcs	G95 E27
01.3043	1910 lm	20W	16Pcs	G120 E27
01.4043	1930 lm	20W	16Pcs	G120 E27
01.6043	1950 lm	20W	16Pcs	G120 E27

LVD
2006/95/EC
EMC
2014/30/EU



IP44

CE RoHS 2002/95/EC ErP

- Temperature Range: -20°C to 50°C
- 30000 Hours
- on/off x 20000
- No Dimmable
- Beam Angle 180°
- CRI >80
- E27
- 16/20 Watt
- Voltage 170V-240V
- 1500-1950 Lumen
- Sketch
- Type of chip Q5



Warm White 3000K

Natural White 4000K

Cool White 6500K

ENERGY

Ενεργειακή απόδοση

A++

A+ ←

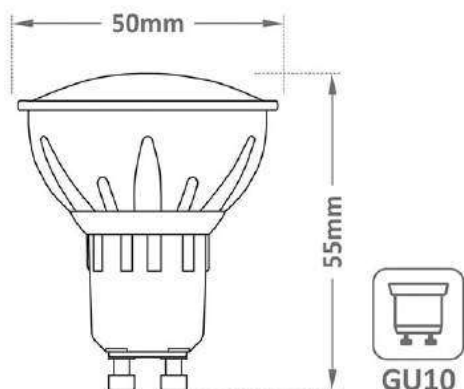
A

B

C

D

E



Code	Lumen	Power	Packing Rate	Description
01.3056	560 lm	7W	20/200Pcs	GU10
01.4056	580 lm	7W	20/200Pcs	GU10
01.6056	600 lm	7W	20/200Pcs	GU10
01.3099	560 lm	7W	20/200Pcs	GU10 (dimmable)
01.4099	580 lm	7W	20/200Pcs	GU10 (dimmable)
01.6099	600 lm	7W	20/200Pcs	GU10 (dimmable)
01.3057	960 lm	10W	20/200Pcs	GU10 (ceramic)
01.4057	980 lm	10W	20/200Pcs	GU10 (ceramic)
01.6057	1000 lm	10W	20/200Pcs	GU10 (ceramic)
01.3058	960 lm	10W	20/200Pcs	GU10
01.4058	980 lm	10W	20/200Pcs	GU10
01.6058	1000 lm	10W	20/200Pcs	GU10

LVD
2006/95/EC
EMC
2014/30/EU



IP44

CE RoHS 2002/95/EC ErP



- Temperature Range: -20°C to 50°C
- 30000 Hours
- on/off x 20000
- No Dimmable
- Beam Angle 120°
- CRI >80
- GU10
- 5/7/10 Watt
- Voltage 170V-240V
- 380-880 Lumen
- Sketch
- Type of chip Q5

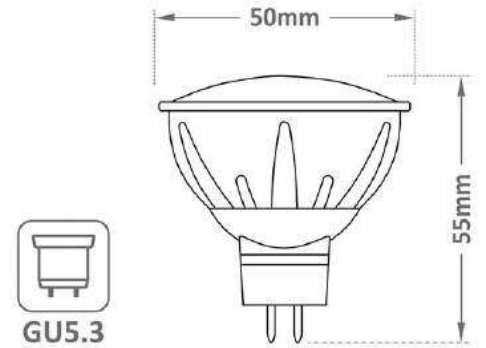
Warm White 3000K

Natural White 4000K

Cool White 6500K



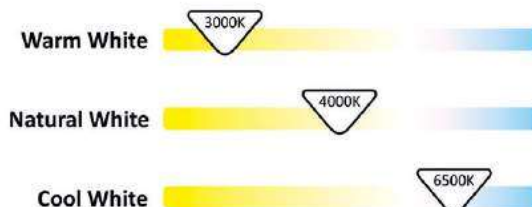
MR 16 12V / 220V *

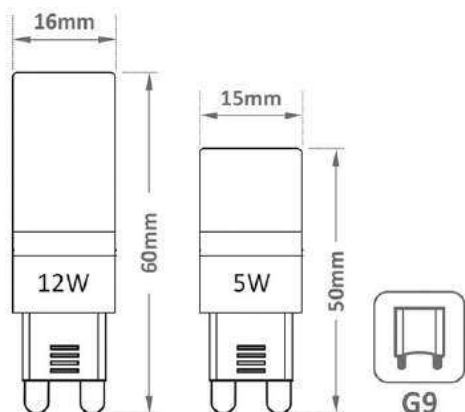


Code	Lumen	Power	Packing Rate	Description
01.3065	560 lm	7W	20/200Pcs	MR16 12V
01.4065	580 lm	7W	20/200Pcs	MR16 12V
01.6065	600 lm	7W	20/200Pcs	MR16 12V
01.30650	560 lm	7W	20/200Pcs	MR16 220V*
01.40650	580 lm	7W	20/200Pcs	MR16 220V*
01.60650	600 lm	7W	20/200Pcs	MR16 220V*

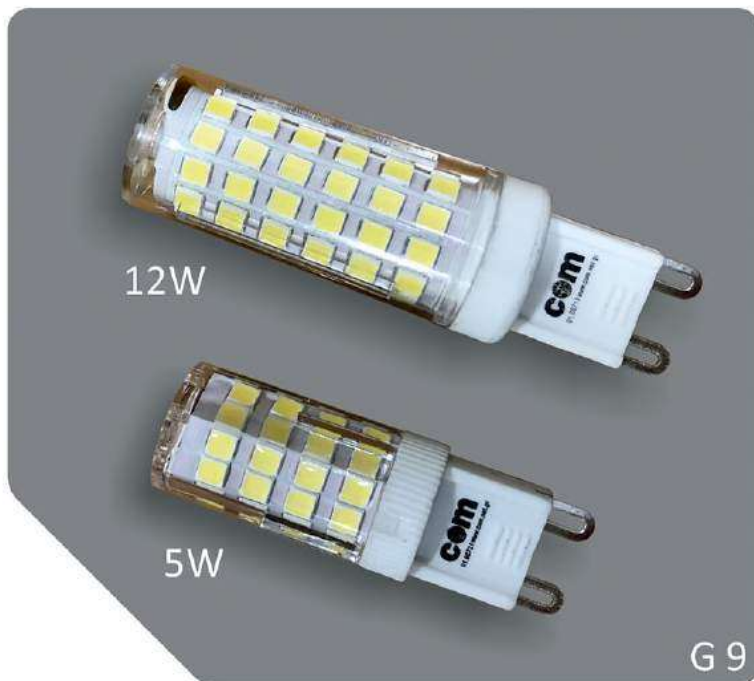


- Temperature Range: -20°C to 50°C
- 30000 Hours
- on/off x 20000
- No Dimmable
- Beam Angle 120°
- CRI >80
- GU5.3
- 4/7 Watt
- Voltage 12V / 220V
- 300-600 Lumen
- Sketch
- Type of chip Q5





Code	Lumen	Power	Packing Rate	Description
01.3072	420 lm	5W	100/500Pcs	G9
01.4072	440 lm	5W	100/500Pcs	G9
01.6072	460 lm	5W	100/500Pcs	G9
01.3071	1060 lm	12W	100/500Pcs	G9
01.4071	1080 lm	12W	100/500Pcs	G9
01.6071	1100 lm	12W	100/500Pcs	G9



LVD
2006/95/EC
EMC
2014/30/EU



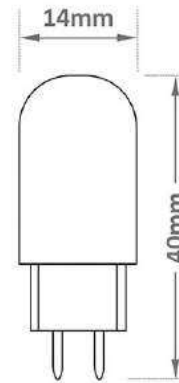
IP44

CE RoHS 2002/95/EC ErP



- Temperature Range: -20°C to 50°C
- 30000 Hours
- on/off x 20000
- No Dimmable
- Beam Angle 120°
- CRI >80
- G9
- 5/12 Watt
- Voltage 170V-240V
- 420-1100 Lumen
- Sketch
- Type of chip Q5

- Warm White 3000K
- Natural White 4000K
- Cool White 6500K



Code	Lumen	Power	Packing Rate	Description
01.3074	280 lm	2.5W	100/500Pcs	G4 12V
01.4074	290 lm	2.5W	100/500Pcs	G4 12V
01.6074	300 lm	2.5W	100/500Pcs	G4 12V
01.3073	280 lm	3W	100/500Pcs	G4 12V
01.4073	300 lm	3W	100/500Pcs	G4 12V
01.6073	320 lm	3W	100/500Pcs	G4 12V

LVD
2006/95/EC
EMC
2014/30/EU



IP44

CE RoHS 2002/95/EC ErP

- Temperature Range: -20°C to 50°C
- 35000 Hours
- on/off x 20000
- No Dimmable
- Beam Angle 360°
- CRI >80
- G4
- 2.5/4 Watt
- Voltage 170V-240V
- 280-400 Lumen
- Sketch
- Type of chip Q5



Warm White 3000K

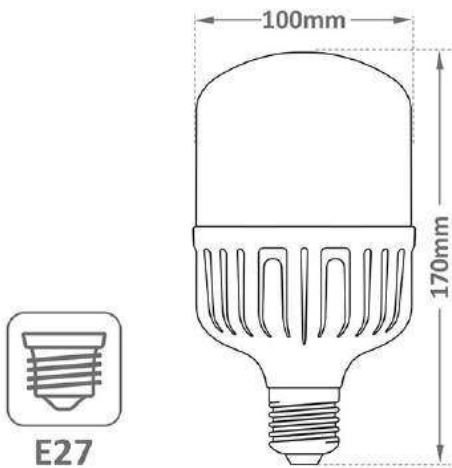
Natural White 4000K

Cool White 6500K

ENERGY
Ενεργειακή απόδοση

A++
A+
A
B
C
D
E

A+



Code	Lumen	Power	Packing Rate	Description
01.4091	3100 lm	33W	10Pcs	E27
01.6091	3150 lm	33W	10Pcs	E27
01.4092	3100 lm	43W	10Pcs	E27
01.6092	3150 lm	43W	10Pcs	E27
01.4093	4900 lm	53W	10Pcs	E27
01.6093	4950 lm	53W	10Pcs	E27
01.4094	5800 lm	63W	10Pcs	E27
01.6094	5850 lm	63W	10Pcs	E27

LVD
2006/95/EC
EMC
2014/30/EU



IP44



RoHS
2002/95/EC

ErP



Temperature Range -20°C / 50°C

30000 Hours

on/off x 20000 on / off

No Dimmable

Beam Angle 120° 200°

CRI >80

E27

33/63 Watt

Voltage 170V-240V

3050-5850 Lumen

Sketch

Type of chip Q5

Warm White 3000K

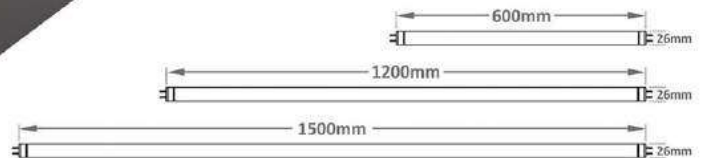
Natural White 4000K

Cool White 6500K

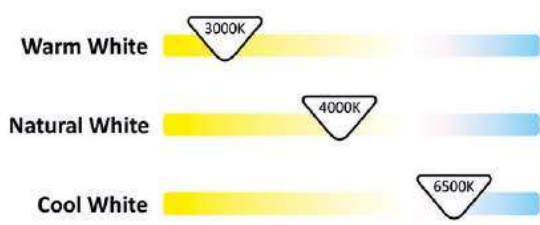


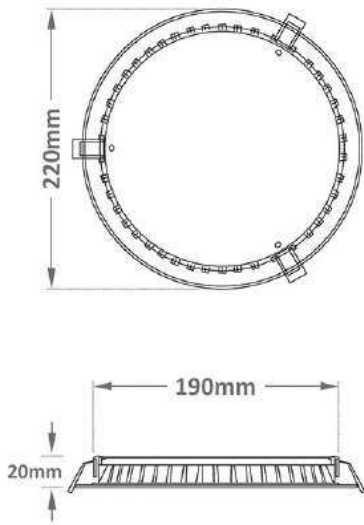
T 8

Code	Lumen	Power	Packing Rate	Description
01.3076	1150 lm	10W	25/100Pcs	T8
01.4076	1170 lm	10W	25/100Pcs	T8
01.6076	1190 lm	10W	25/100Pcs	T8
01.3078	2120 lm	20W	25/100Pcs	T8
01.4078	2140 lm	20W	25/100Pcs	T8
01.6078	2160 lm	20W	25/100Pcs	T8
01.3079	2640 lm	25W	25/100Pcs	T8
01.4079	2660 lm	25W	25/100Pcs	T8
01.6079	2680 lm	25W	25/100Pcs	T8
*01.0100	-	-	25Pcs	LED STARTER



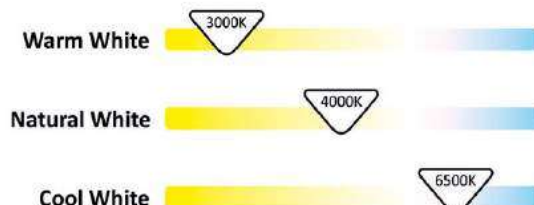
- Temperature Range -20°C
50°C
- T8
- 30000 Hours
- 9/18/23 Watt
- on/off x 20000
- Voltage 170V-240V
- No Dimmable
- 860-2300 Lumen
- Beam Angle 330°
- Sketch
- CRI >80
- Type of chip Q5





* Νέα τεχνολογία Άμεσης Έναυσης

Code	Lumen	Power	Packing Rate	Description
01.3080	1960 lm	20W	10/20Pcs	Χωνευτό
01.4080	1980 lm	20W	10/20Pcs	Χωνευτό
01.6080	2000 lm	20W	10/20Pcs	Χωνευτό
01.3081	2460 lm	24W	24Pcs	Χωνευτό
01.4081	2480 lm	24W	24Pcs	Χωνευτό
01.6081	2500 lm	24W	24Pcs	Χωνευτό
01.3082	2460 lm	24W	10/20Pcs	Εξωτερικό
01.4082	2480 lm	24W	10/20Pcs	Εξωτερικό
01.6082	2500 lm	24W	10/20Pcs	Εξωτερικό





Προβολείς LED



IP65



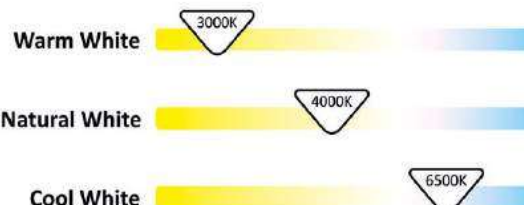
RoHS 2002/95/EC

ErP

Code	Lumen	Power	Packing Rate	Description
08.3001	960 lm	10W	40Pcs	Black
08.4001	980 lm	10W	40Pcs	Black
08.6001	1000 lm	10W	40Pcs	Black
08.30010	960 lm	10W	40Pcs	White
08.40010	980 lm	10W	40Pcs	White
08.60010	1000 lm	10W	40Pcs	White
08.3002	1960 lm	20W	20Pcs	Black
08.4002	1980 lm	20W	20Pcs	Black
08.6002	2000 lm	20W	20Pcs	Black
08.30020	1960 lm	20W	20Pcs	White
08.40020	1980 lm	20W	20Pcs	White
08.60020	2000 lm	20W	20Pcs	White
08.3003	2960 lm	30W	20Pcs	Black
08.4003	2980 lm	30W	20Pcs	Black
08.6003	3000 lm	30W	20Pcs	Black
08.30030	2960 lm	30W	20Pcs	White
08.40030	2980 lm	30W	20Pcs	White
08.60030	3000 lm	30W	20Pcs	White
08.3004	4960 lm	50W	10Pcs	Black
08.4004	4980 lm	50W	10Pcs	Black
08.6004	5000 lm	50W	10Pcs	Black
08.30040	4960 lm	50W	10Pcs	White
08.40040	4980 lm	50W	10Pcs	White
08.60040	5000 lm	50W	10Pcs	White
08.3006	9960 lm	100W	5Pcs	Black
08.4006	9980 lm	100W	5Pcs	Black
08.6006	10000 lm	100W	5Pcs	Black

Code	Lumen	Power	Packing Rate	Description
08.30060	9960 lm	100W	5Pcs	White
08.40060	9980 lm	100W	5Pcs	White
08.60060	10000 lm	100W	5Pcs	White
08.3007	14960 lm	150W	5Pcs	Black
08.4007	14980 lm	150W	5Pcs	Black
08.6007	15000 lm	150W	5Pcs	Black
08.30070	14960 lm	150W	5Pcs	White
08.40070	14980 lm	150W	5Pcs	White
08.60070	15000 lm	150W	5Pcs	White
08.3008	19960 lm	200W	5Pcs	Black
08.4008	19980 lm	200W	5Pcs	Black
08.6008	20000 lm	200W	5Pcs	Black
08.30080	19960 lm	200W	5Pcs	White
08.40080	19980 lm	200W	5Pcs	White
08.60080	20000 lm	200W	5Pcs	White
08.3009	29960 lm	300W	5Pcs	Black
08.4009	29980 lm	300W	5Pcs	Black
08.6009	30000 lm	300W	5Pcs	Black
08.30090	29960 lm	300W	5Pcs	White
08.40090	29980 lm	300W	5Pcs	White
08.60090	30000 lm	300W	5Pcs	White
08.3102	1980 lm	20W	20Pcs	* Black
08.6102	2000 lm	20W	20Pcs	* Black
08.3103	2980 lm	30W	10Pcs	* Black
08.6103	3000 lm	30W	10Pcs	* Black
08.61020	2000 lm	20W	20Pcs	* White
08.61030	3000 lm	30W	20Pcs	* White

- Μεγάλη επιφάνεια ψύξης.
- SMD LED CHIP EPISTAR.
- Στιβαρή κατασκευή.
- Στεγανότητα ip65.
- Κατασκευή Slim.
- Υψηλος δείκτης CRI 84.
- 10W - 20W - 30W - 50W
100W - 150W - 200W
300W



liper® Προβολείς LED

Code	Lumen	Power	Packing Rate	Description
08.3001.1	960 lm	10W	36Pcs	Black
08.4001.1	980 lm	10W	36Pcs	Black
08.6001.1	1000 lm	10W	36Pcs	Black
08.3002.1	1960 lm	20W	20Pcs	Black
08.4002.1	1980 lm	20W	20Pcs	Black
08.6002.1	2000 lm	20W	20Pcs	Black
08.3003.1	2960 lm	30W	20Pcs	Black
08.4003.1	2980 lm	30W	20Pcs	Black
08.6003.1	3000 lm	30W	20Pcs	Black
08.3004.1	4960 lm	50W	12Pcs	Black
08.4004.1	4980 lm	50W	12Pcs	Black
08.6004.1	5000 lm	50W	12Pcs	Black
08.3006.1	9960 lm	100W	6Pcs	Black
08.4006.1	9980 lm	100W	6Pcs	Black
08.6006.1	10000 lm	100W	6Pcs	Black
08.3007.1	14960 lm	150W	4Pcs	Black
08.4007.1	14980 lm	150W	4Pcs	Black
08.6007.1	15000 lm	150W	4Pcs	Black
08.3008.1	19960 lm	200W	2Pcs	Black
08.4008.1	19980 lm	200W	2Pcs	Black
08.6008.1	20000 lm	200W	2Pcs	Black
08.3009.1	29960 lm	300W	1Pcs	Black
08.4009.1	29980 lm	300W	1Pcs	Black
08.6009.1	30000 lm	300W	1Pcs	Black
08.3102.1	1980 lm	20W	12Pcs	* Black
08.6102.1	2000 lm	20W	12Pcs	* Black
08.3103.1	2980 lm	30W	12Pcs	* Black
08.6103.1	3000 lm	30W	12Pcs	* Black



ΠΡΟΒΟΛΕΙΣ

* Διαθέτουν φωτοκύτταρο



IP65

CE RoHS ErP

- ☀ Μεγάλη επιφάνεια ψύξης.
- ☀ Κατασκευή Slim.
- ☀ SMD LED CHIP EPISTAR.
- ☀ Υψηλος δείκτης CRI 84.
- ☀ Στιβαρή κατασκευή.
- ☀ 10W, 20W, 30W, 50W, 100W...
- ☀ Στεγανότητα ip65.



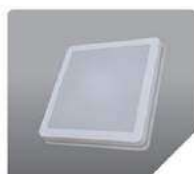
Code	Lumen	Power	Voltage	Packing Rate	Dimensions
08.0042	2000 lm	20W	220-240V	24	235x115x48mm
08.0062	2000 lm	20W	220-240V	24	235x115x48mm

LVD EMC CE RoHS ErP IP65



Code	Lumen	Power	Voltage	Packing Rate	Dimensions
08.0043	3000 lm	30W	220-240V	12	215x215x48mm
08.0063	3000 lm	30W	220-240V	12	215x215x48mm

LVD EMC CE RoHS ErP IP65



Code	Lumen	Power	Voltage	Packing Rate	Dimensions
08.0044	3000 lm	30W	220-240V	12	215x215x48mm
08.0064	3000 lm	30W	220-240V	12	215x215x48mm

LVD EMC CE RoHS ErP IP65