
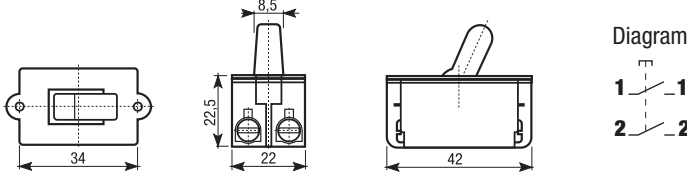
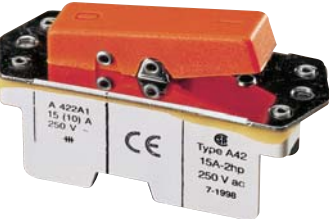


## 2 poles switch with lever

### LEA202-LEA202A Series

	Part no.	Type	Description	Pack.
	VG842900	LEA202R	2 pole switch with stable lever	10
				

### LLA42 Series

	Part no.	Type	Description	Pack.
	VG859300	LLA422N1	2 pole switch with black lever, fixing holes distance 55mm	10
	VD794500	LLA422A1	2 pole switch with orange lever, fixing holes distance 55mm	10
	VG861900	LLA422N3	2 pole switch with black lever, fixing holes distance 65mm	10
