



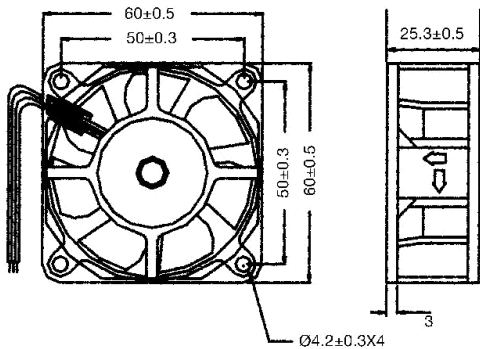
**DC COOLING FAN 6025-03**  
60x60x25 mm



- Construction:
  - Glass fiber reinforced plastic: impeller and housing
  - PBT are UL 94V-0 rating
- Operating temperature:
  - Ball bearing -30 °C to +75 °C
  - Sleeve bearing -10 °C to +70 °C
- Insulation Resistance: 10 meg Ohm min. at 500 VDC (between frame and terminal)
- Dielectric Strength: 5 mA max. at 500 VAC 60Hz one minute (between frame and terminal)
- Function: frequency generator or rotation detection signal option
- Weight: 75 grams

Model No.	Bearing	Rated Voltage	Operating Voltage Range	Rated Current	Rated Input Power	Speed R.P.M.	Max. Air Flow		Max. Air Pressure		Noise dB-A
		VDC	V	A	W		m <sup>3</sup> /min	CFM	mmH <sub>2</sub> O	IN H <sub>2</sub> O	
BP602512L-03	Ball	12	10.2-13.8	0.09	1.08	2600	0.36	12.8	1.8	0.074	23
SP602512L-03	Sleeve										
BS602512L-03	Ball&Sleeve										
BP602512M-03	Ball	12	10.2-13.8	0.11	1.32	3200	0.47	16.7	3.1	0.122	25
SP602512M-03	Sleeve										
BS602512M-03	Ball&Sleeve										
BP602512H-03	Ball	12	10.2-13.8	0.13	1.56	3800	0.55	19.5	4.12	0.162	29.6
SP602512H-03	Sleeve										
BS602512H-03	Ball&Sleeve										
BP602524L-03	Ball	24	20.4-27.6	0.08	1.92	2600	0.36	12.8	1.8	0.074	23
SP602524L-03	Sleeve										
BS602524L-03	Ball&Sleeve										
BP602524M-03	Ball	24	20.4-27.6	0.10	2.40	3200	0.47	16.7	3.1	0.122	25
SP602524M-03	Sleeve										
BS602524M-03	Ball&Sleeve										
BP602524H-03	Ball	24	20.4-27.6	0.12	2.88	3800	0.55	19.5	4.12	0.162	29.6
SP602524H-03	Sleeve										
BS602524H-03	Ball&Sleeve										

**Dimensions (mm)**



**Performance Curve**

